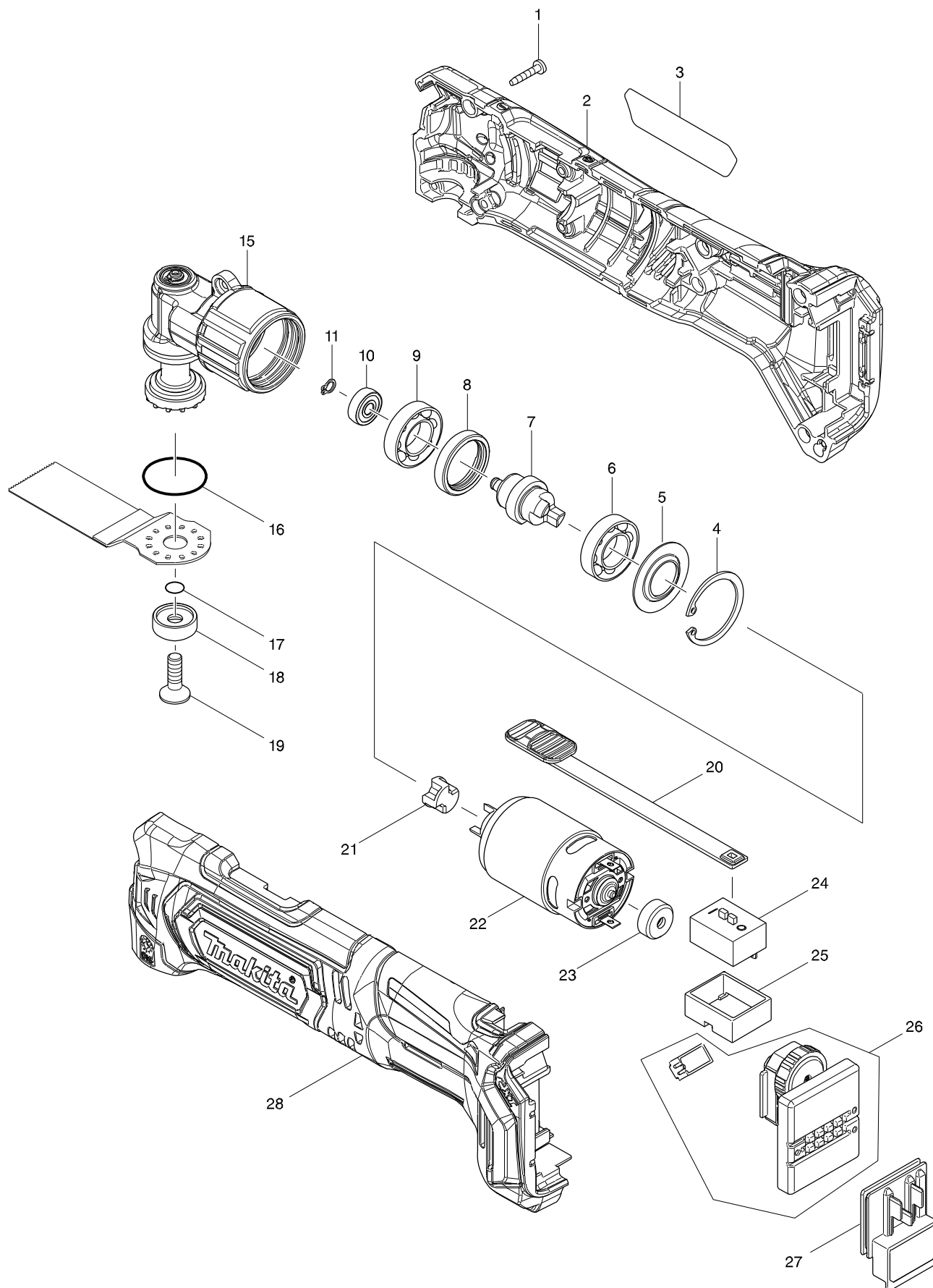


# Modellszám TM30D CORDLESS MULTI TOOL



Tétel	Cikkszám	Megnevezés	Átala	Menny.	N/O	Opc 1	Opc 2	Megjegyzés
001	266429-2	TAPPING SCREW 3X16		12				
002	183E32-3	MOTOR HOUSING SET		1				
C10	263039-6	RUBBER PIN 4		3				
C20	424859-5	CUSHION		2				
D10		INC. 28						
003	852E52-5	TM30D NAME PLATE		1				
004	962151-6	RETAINING RING R-32		1				
005	253368-5	WASHER 16		1				
006	210147-4	BALL BEARING 6902		1				
007	326719-6	CRANK SHAFT		1				
008	456788-4	SPACER 21		1				
009	210147-4	BALL BEARING 6902		1				
010	210144-0	SPHERE BEARING 505		1				
011	961008-8	RETAINING RING S-5		1				
015	144085-7	CRANK HOUSING COMPLETE		1				
016	213987-9	O-RING 25		1				
017	213021-5	O RING 5		1				
018	224455-7	OUTER FLANGE 22		1				
019	266783-4	HEX.SOCKET C.S.H.SCREW M6X20		1				
020	456791-5	SWITCH KNOB		1				
021	424833-3	SPACER		1				
022	629221-1	DC MOTOR		1				
023	424467-2	CAP		1				
024	651610-2	SWITCH		1				
025	424860-0	SWITCH COVER		1				
026	620522-0	CONTROLLER		1				
C10	620543-2	LED CIRCUIT		1				
027	644813-5	TERMINAL		1				
028	183E32-3	MOTOR HOUSING SET		1				
C10	263039-6	RUBBER PIN 4		3				
C20	424859-5	CUSHION		2				
D10		INC. 2						
A01	783233-9	HEX. WRENCH 5		1				
A02B	821550-0	CONNECTOR PLASTIC CASE (TYPE2)		1				
C10	453974-8	LATCH		2				
A02D	821550-0	CONNECTOR PLASTIC CASE (TYPE2)		1				
C10	453974-8	LATCH		2				
A03B	B-21353	PLUNGE CUT SAW BLADE 28 TMA009		1				
A03C	809H30-4	TM30DWYJ PLASTIC CASE LABEL		2				
A03D	196272-4	ADAPTER A SET		1				
A04B	B-21565	ABRASIVEPAPER DELTARED LONG60		1				
A04C	809H28-1	TM30DWYJ INDICATION LABEL		1				
A04D	B-21325	SEGMENT SAW BLADE 85 TMA006		1				
A05B	B-21593	ABRASIVEPAPER DELTARED LONG12		1				
A05C	454247-2	PIN 4		4				
A05D	B-21353	PLUNGE CUT SAW BLADE 28 TMA009		1				
A06B	B-22931	ABRASIVEPAPER DELTARED LONG24		1				
A06C	821550-0	CONNECTOR PLASTIC CASE (TYPE2)		1				

Tétel	Cikkszám	Megnevezés	Átala	Menny.	N/O	Opc 1	Opc 2	Megjegyzés
C10	453974-8	LATCH		4				
A06D	B-21537	SANDING PAD		1				
A07B	B-21537	SANDING PAD		1				
A07C	838612-7	INNER TRAY		1				
A07D	821538-0	TOOL BOX		1				
A08B	821538-0	TOOL BOX		1				
A08D	197766-2	DUST ATTACHMENT SET		1				
A09B	454247-2	PIN 4		4				
A09C	456128-6	BATTERY COVER		1				
A09D	456128-6	BATTERY COVER		1				
A10B	456128-6	BATTERY COVER		1				
A10C	***DC10WC	DC10WC BATTERY CHARGER		1				
D10		COMPO-PARTS						
A10D	***DC10WC	DC10WC BATTERY CHARGER		1				
D10		COMPO-PARTS						
A11B	***DC10SA	DC10SA BATTERY CHARGER		1				
D10		COMPO-PARTS						
A11C	197390-1	BATTERY BL1015 SET		2				
A11D	197394-3	BATTERY BL1020B SET		2				
A12B	197403-8	BATTERY BL1040B SET		2				
A12D	454247-2	PIN 4		4				
A13B	197766-2	DUST ATTACHMENT SET		1				
A13D	809H34-6	TM30DWAJX1 INDICATION LABEL		1				
A14B	838612-7	INNER TRAY		1				
A14D	809H35-4	TM30DWAJX1 PLASTIC CASE LABEL		2				
A15B	809H24-9	TM30DSMJX4 INDICATION LABEL		1				
A15D	838612-7	INNER TRAY		1				
A16B	809H25-7	TM30DSMJX4 PLASTIC CASE LABEL		2				