

SPARE PARTS LIST

PAGE 1

MODEL NO. SK66

ITEM	PART NO.	DESCRIPTION	QTY	NOTE
001	TKLV5827ES	TOP CAP COMP.	1	
002	TKHN230SCZ	HEX.NUT M3	3	
003	TKLV5783ES	BODY HOUSING	1	
004	TK0LV5070S	Horizontal Exit Frame Complete	1	
005	TK0LV4270S	TOOL-STRAP	1	
006	TK0C3060SS	OVAL COUNTERSUNK HD. SCREW M3x	3	
007	TK00LV5938	BATTERY BOX COVER	1	
008	TK0C3060SS	OVAL COUNTERSUNK HD. SCREW M3x	3	
009	TKL5798E2S	POWER/MODE PANEL COMP.INC.C10	1	
010	TK0P3050SS	Pan HD. Screw M3x5	1	
011	TK0SW30SCZ	SPRING LOCK WASHER 2 M3	1	
012	TKC3060SSB	OVAL COUNTERSUNK HD. SCREW M3x	2	
013	TK0LV45592	SWITCH LEVER	1	
014	TKT3016SCB	TRUSS HD.SCREW M3X16	1	
015	TK0LV5795S	LOCK LEVER BASE	1	
016	TKP2560SCZ	PAN HD.SCREW M2.5X6	4	
017	TKLV58002S	BASE COMPLETE	1	
018	TK0LV5802S	FOOT COMPLETE	1	
019	TK00LV5804	Base Ring	1	
020	TK0F3060SS	COUNTERSUNK HD. SCREW M3x6	3	
021	TK0LV5805S	Base Plate Complete	1	
022	TKF3060SCB	COUNTERSUNK HD.SCREW M3X6	3	
023	TK03P2010N	Pan HD. Screw M2x10	2	
024	TK03P2040N	Pan HD. Screw M2x4	4	
025	TKLV57742S	LASER BASE COMPLETE	1	
026	TK0LV5807S	VERTICAL LASER HD. COMPLETE	1	
027	TK03P2050N	Pan HD. Screw M2x5	4	
028	TKLV58082S	HORIZONTAL LASER HD. COMPLETE	1	
029	TK03P2050N	Pan HD. Screw M2x5	4	
030	TKST2025SC	SPACER 2X2.5	2	
031	TK00LV5780	Connector Circuit	1	
032	TK03P2060B	Pan HD. Screw M2x6	2	
033	TK00LV5811	Sensor Circuit Board	1	
034	TK03P2030N	Pan HD. Screw M2x3	2	
035	TK00LV5702	O RING 22.5x2.5	1	
036	TK0SW30SCZ	SPRING LOCK WASHER 2 M3	2	
037	TKP3016SCZ	PAN HD.SCREW M3X16	3	
038	TK00LV3896	Control Plate	1	
039	TK0LV27292	RING NUT	1	
040	TK00LV5822	WIRE COVER	1	
041	TKHN380BSN	HEX.NUT M8	1	
042	TKS8010SS0	HEX.SOCKET HD.SCREW M8X10	1	
043	TKS8010SS0	HEX.SOCKET HD.SCREW M8X10	1	
A01	TK066AK20A	TOOL CARRYING CASE	1	
A02	TK0066ECB1	CARTON	1	
A03	TK0LEG2000	LASER ENHANCEMENT GLASSES	1	
A04	A-89501	Elevating Tripod 400-1140 mm	1	

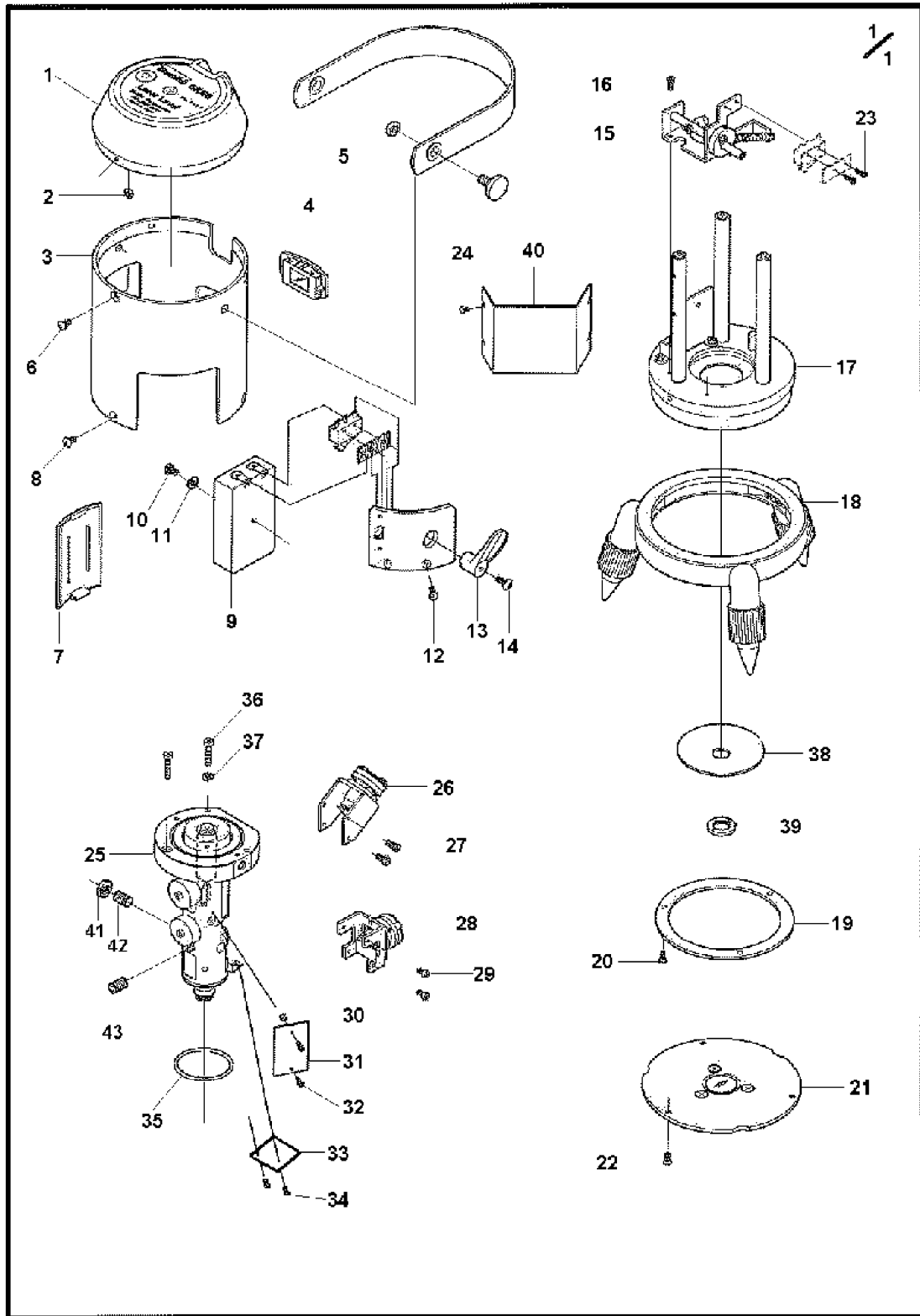
SERVICE DRAWING

MODEL NO. SK66

Makita

Model: SK66

LASER LEVEL



8.28.2003