

# SPARE PARTS LIST

PAGE 1

MODEL NO. SK40

ITEM	PART NO.	DESCRIPTION	QTY	NOTE
001	TKLV5922EA	TOP CAP COMP.	1	
002	TKHN230SCZHEX.NUT	M3	3	
003	TKLV5923ES	BODY HOUSING	1	
004	TK0C3060SS	OVAL COUNTERSUNK HD. SCREW M3x	3	
005	TK00LV5938	BATTERY BOX COVER	1	
006	TK0C3060SS	OVAL COUNTERSUNK HD. SCREW M3x	3	
007	TK0LV45592	SWITCH LEVER	1	
008	TKT3016SCB	TRUSS HD.SCREW M3X16	1	
009	TK0LV5795S	LOCK LEVER BASE	1	
010	TKP2560SCZ	PAN HD.SCREW M2.5X6	4	
011	TK0LV5930S	YOKE COMPLETE	1	
012	TKP2560SCZ	PAN HD.SCREW M2.5X6	3	
013	TK0LV5918S	BATTERY BOX	1	
014	TK03P2080B	Pan HD. Screw M2x8	1	
015	TK0P3050SS	Pan HD. Screw M3x5	1	
016	TK0SW30SC2	SPRING LOCK WASHER 2 M3	1	
017	TK0LV5932S	BASE COMPLETE	1	
018	TK0LV5933S	FOOT BASE COMPLETE	1	
019	TK0LV5914S	LASER BASE COMPLETE	1	
020	TK0LV5807S	VERTICAL LASER HD. COMPLETE	1	
021	TK03P2050N	Pan HD. Screw M2x5	4	
022	TK0P2030BS	Pan HD. Screw M2x3	2	
023	TK00LV5809	SENSOR BASE	1	
024	TK00LV5464	Sensor Circuit Board	1	
025	TK0P2030BS	Pan HD. Screw M2x3	2	
026	TKS8010SS0	HEX.SOCKET HD.SCREW M8X10	1	
027	TKS8010SS0	HEX.SOCKET HD.SCREW M8X10	1	
028	TK00LV5917	Connector Circuit	1	
029	TK03P2040N	Pan HD. Screw M2x4	2	
030	TK0SW30SC2	SPRING LOCK WASHER 2 M3	2	
031	TKP3016SCZ	PAN HD.SCREW M3X16	3	
032	TK00LV5940	WIRE COVER	1	
033	TK03P2030B	Pan HD. Screw M2x3	4	
034	TK03P2010N	Pan HD. Screw M2x10	1	
A01	TK040AK05B	TOOL CARRYING CASE	1	
A02	TK0040ECB1	CARTON	1	
A03	TK0LEG2000	LASER ENHANCEMENT GLASSES	1	

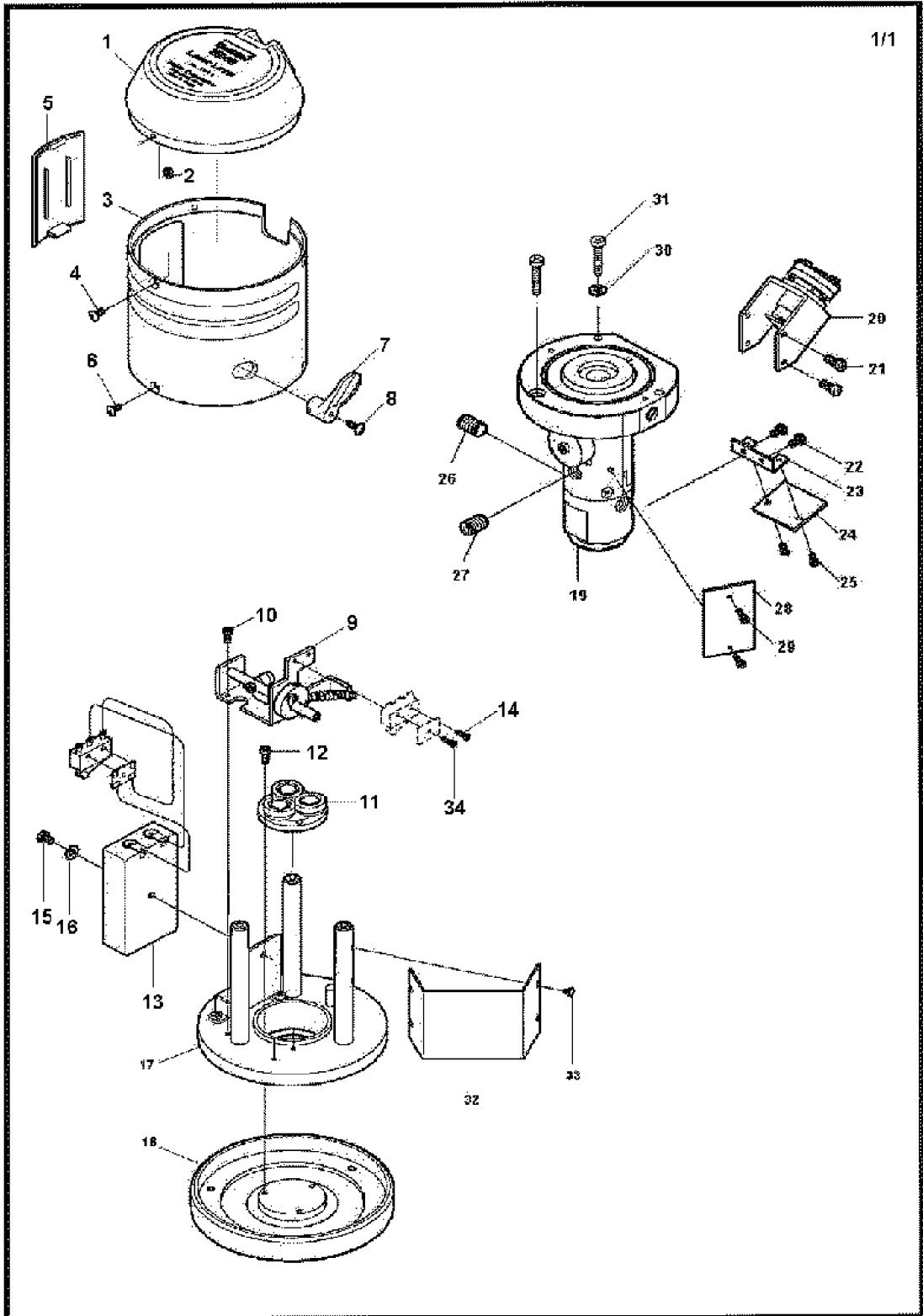
# SERVICE DRAWING

MODEL NO. SK40

**Makita**

Model: SK40

LASER LEVEL



1/1