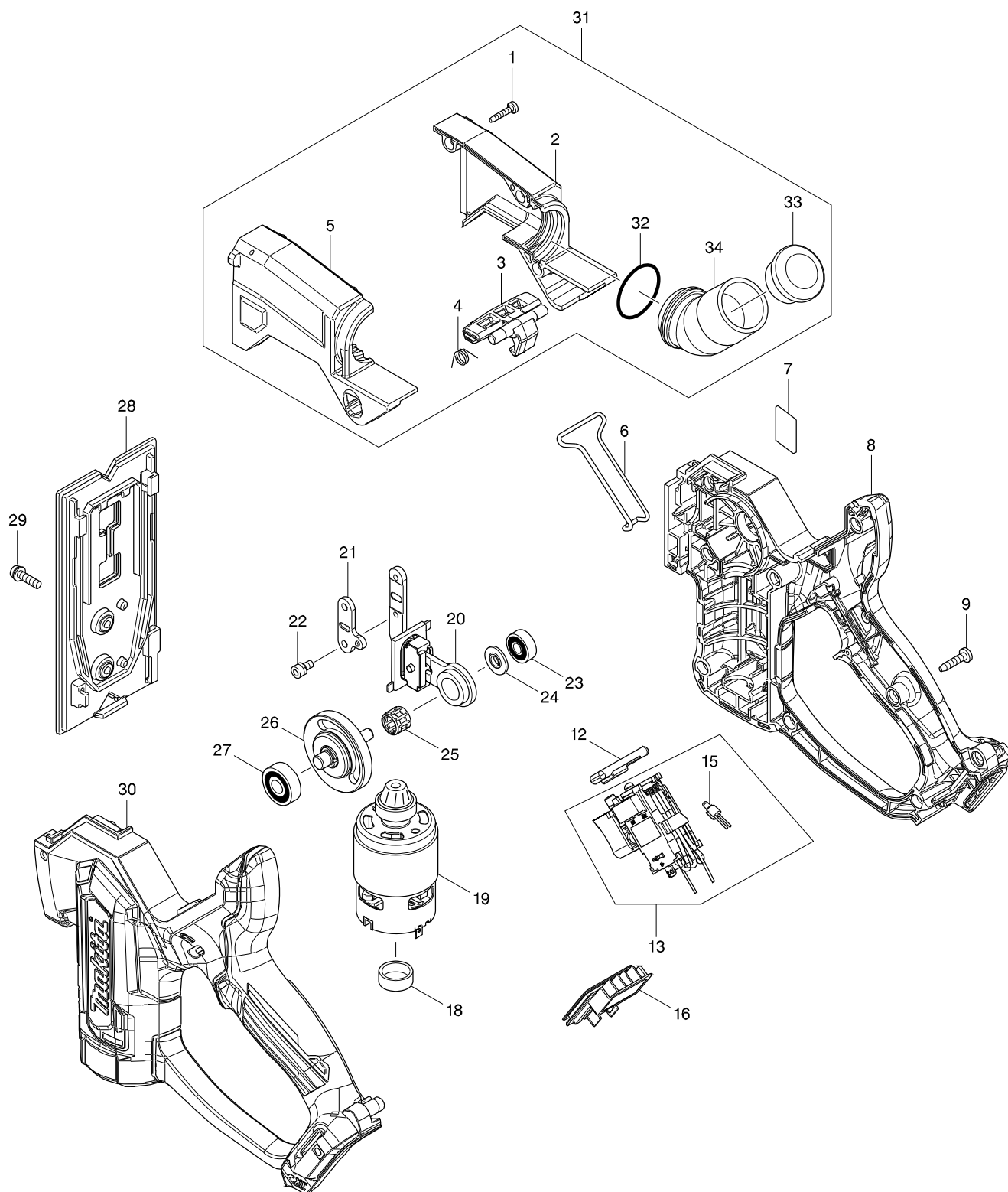


Modellszám SD100D CORDLESS DRYWALL SAW



Tétel	Cikkszám	Megnevezés	Átala	Menny.	N/O	Opc 1	Opc 2	Megjegyzés
001	266130-9	TAPPING SCREW BIND PT 3X16		3				
002	183C66-4	DUST COLLECTOR SET		1				
D10		INC. 5						
003	456628-6	HOOK		1				
004	231661-7	TORSION SPRING 9		1				
005	183C66-4	DUST COLLECTOR SET		1				
D10		INC. 2						
006	326680-7	SAFETY WIRE		1				
007	852T60-6	SD100D NAME PLATE		1				
008	183F65-4	HOUSING SET		1				
C10	263002-9	RUBBER PIN 4		3				
C20	252126-6	HEX. LOCKING NUT M4-7		2				
C30	252173-7	SQUARE NUT		2				
D10		INC. 30						
009	266326-2	TAPPING SCREW 4X18		9				
012	457192-0	LOCK OFF BUTTON		1				
013	632H96-7	SWITCH UNIT		1				
C10	688161-2	LINE FILTER		1				
D10		INC. 15						
015	620604-8	LED CIRCUIT		1				
016	644813-5	TERMINAL		1				
018	421940-3	CAP		1				
019	629230-0	DC MOTOR		1				
020	143694-9	SLIDER COMPLETE		1				
C10	256305-8	PIN 4		1				
C20	257391-2	RING 4		1				
C30	310686-5	SLIDER PLATE		1				
C40	310687-3	SLIDER GUIDE		1				
021	347010-9	BLADE HOLDER		1				
022	922106-3	HEX. SOCKET HEAD BOLT M4X8		2				
023	211012-0	BALL BEARING 606ZZ		1				
024	326679-2	SHOULDER WASHER		1				
025	212077-5	NEEDLE CAGE		1				
026	143690-7	CRANK SHAFT COMPLETE		1				
027	211032-4	BALL BEARING 608ZZ		1				
028	456623-6	BASE		1				
029	911128-8	P.H.SCREW M4X16 WITH WR		2				
030	183F65-4	HOUSING SET		1				
C10	263002-9	RUBBER PIN 4		3				
C20	252126-6	HEX. LOCKING NUT M4-7		2				
C30	252173-7	SQUARE NUT		2				
D10		INC. 8						
031	123559-1	DUST COLLECTOR ASSEMBLY		1				
D10		INC. 1-5,32-34						
032	213412-0	O RING 29		1				
033	286268-4	CAP 31		1				
034	451177-8	DUST NOZZLE		1				
A01	456624-4	BASE COVER		1				

