



Makita Werkzeug Ges.m.b.H.

Kolpingstrasse 13, 1230 Wien

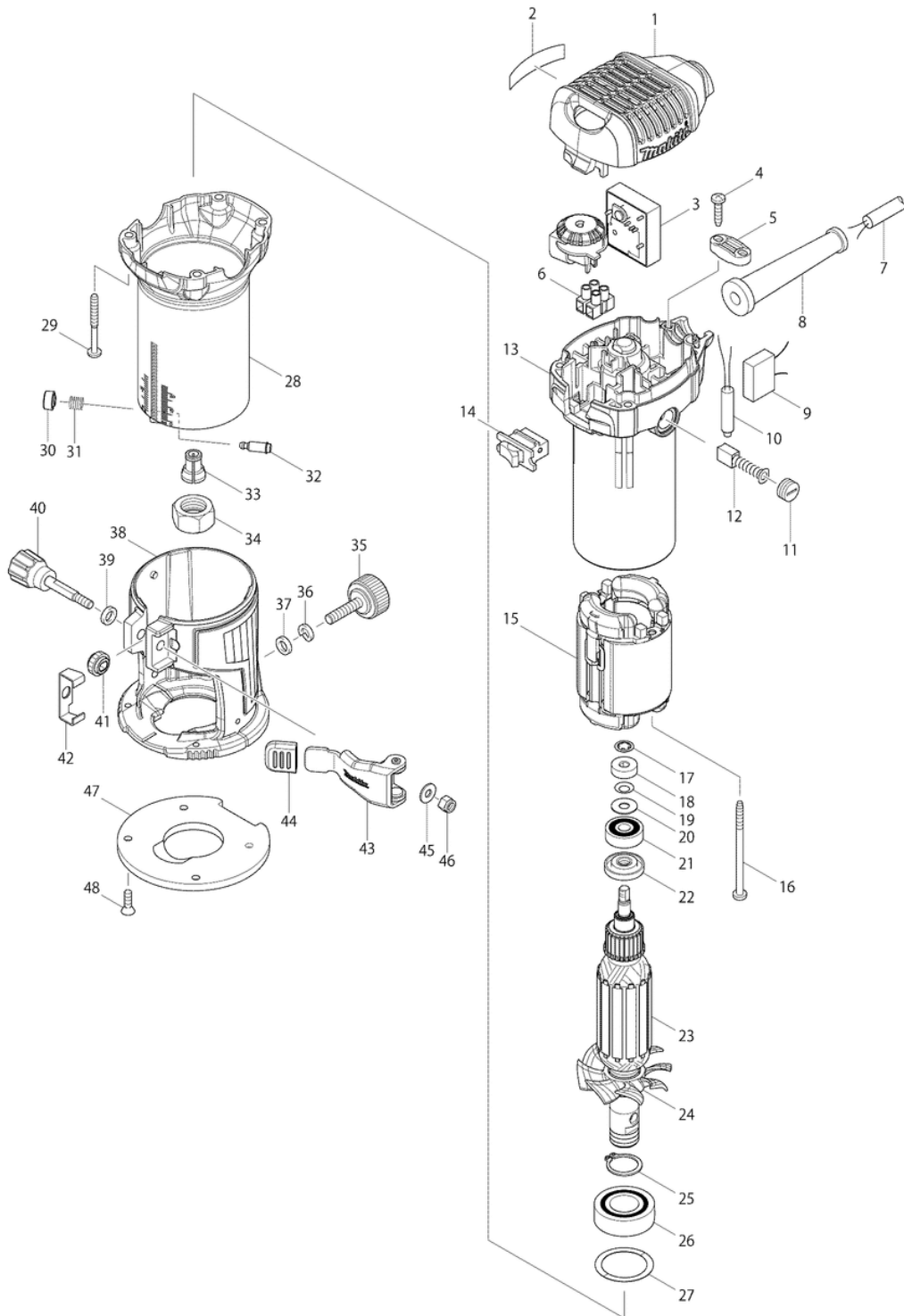
Tel: 01 / 616 27 30 - 0*

Fax: 01 / 616 27 30 - 40

Mail: verkauf@makita.at

Web: www.makita.at

Makita Service Information / Model: RT0700C





Makita Werkzeug Ges.m.b.H.

Kolpingstrasse 13, 1230 Wien

Tel: 01 / 616 27 30 - 0*

Fax: 01 / 616 27 30 - 40

Mail: verkauf@makita.at

Web: www.makita.at

Makita Service Information / Model: RT0700C

POS	Bestell-Nr.	Artikelbeschreibung	Stk.	Stk.Preis
1	454582-8	TOP COVER	1	N/A
1	452465-6	TOP COVER	1	N/A
2	869668-9	RT0700C NAME PLATE	1	N/A
3	620040-8	Fordulatszám szabályzó RT0700C	1	N/A
4	266326-2	TAPPING SCREW 4X18	2	N/A
5	687124-5	Törésgátló	1	N/A
6	654542-2	TERMINAL BLOCK 2P	1	N/A
7	695034-2	POWER SUPPLY CORD 1.0-2-4.0	1	N/A
8	682569-2	CORD GUARD 8-85	1	N/A
9	645200-1	NOISE SUPPRESSOR	1	N/A
10	646133-3	Fojtótekerics	1	N/A
11	643550-8	Szénkefetartó-sapka 5-8 CB-50/	2	N/A
12	191940-4	Szénkefe CB-411*	1	N/A
13	142172-6	BRACKET COMPLETE	1	N/A
13	140736-0	BRACKET COMPLETE	1	N/A
14	651527-9	Kapcsoló BO4555/56/65/66	1	N/A
15	633769-7	Állórész RT0700C	1	N/A
16	266340-8	TAPPING SCREW 4X65	2	N/A
17	259039-2	Önzáró retesz	1	N/A
18	688174-3	Mágneshüvely RT0700	1	N/A
19	253332-6	Alátét 6	1	N/A
20	267756-0	Alátét 6	1	N/A
21	210023-2	Golyóscsapágy 627DDW 9910/9911	1	N/A
22	681668-7	RESIN WASHER	1	N/A
23	515844-0	Forgórész RT0700C	1	N/A
23		*** INC. 17-22,24-26		N/A
24	240125-0	FAN 55	1	N/A
25	961057-5	Seeger-gyűrű S-17 961057-5	1	N/A
26	210301-0	Golyóscsapágy 6003DDW	1	N/A
27	253906-3	Szorító lap 26 9300	1	N/A
28	140735-2	OUTER HOUSING COMPLETE	1	N/A
29	266560-4	TAPPING SCREW 4X40	4	N/A
30	452468-0	PUSH BUTTON	1	N/A
31	233127-3	Nyomórugó	1	N/A
32	256437-1	Csapszeg 4 9521NB/9522NB*	1	N/A
33	763636-3	COLLET CONE 6MM	1	N/A
34	763615-1	COLLET NUT	1	N/A
35	265763-7	Csavar M6*25 3709	1	N/A
36	942151-2	Rugós alátét 6 942151-2*	1	N/A
37	941151-9	Lapos Alátét 6 941151-9*	1	N/A



Makita Werkzeug Ges.m.b.H.

Kolpingstrasse 13, 1230 Wien

Tel: 01 / 616 27 30 - 0*

Fax: 01 / 616 27 30 - 40

Mail: verkauf@makita.at

Web: www.makita.at

Makita Service Information / Model: RT0700C

POS	Bestell-Nr.	Artikelbeschreibung	Stk.	Stk.Preis
38	140739-4	TRIMMER BASE COMPLETE	1	N/A
39	941151-9	Lapos Alátét 6 941151-9*	1	N/A
40	265792-0	THUMB SCREW M5X35	1	N/A
41	227262-7	SPUR GEAR 16	1	N/A
42	346392-6	CAM PLATE	1	N/A
43	163524-8	LOCK LEVER COMPLETE	1	N/A
44	424396-9	RUBBER CAP	1	N/A
45	941101-4	Lapos Alátét 5 941101-4	1	N/A
46	252103-8	Hatlapú anya M5-8 252103-8*	1	N/A
47	413149-1	Alaplap RT0700	1	N/A
48	912112-6	Süllyesztett fejű csavar M4x10	4	N/A
1001	122965-7	STRAIGHT GUIDE ASSEMBLY	1	N/A
1002	194733-8	DUST NOZZLE SET	1	N/A
1002	195559-1	DUST NOZZLE SET	1	N/A
1003	195559-1	DUST NOZZLE SET	1	N/A
1003	343577-5	TEMPLET GUIDE 10	1	N/A
1004	343577-5	TEMPLET GUIDE 10	1	N/A
1004	763618-5	COLLET CONE 8MM	1	N/A
1005	781011-1	WRENCH 22	1	N/A
1005	763618-5	COLLET CONE 8MM	1	N/A
1006	781011-1	WRENCH 22	1	N/A
1006	781039-9	WRENCH 13	1	N/A
1007	821552-6	CONNECTOR PLASTIC CASE (TYPE4)	1	N/A
1007	781039-9	WRENCH 13	1	N/A
1008	837247-1	TRAY	1	N/A
1008	344364-5	TEMPLET GUIDE 16	1	N/A
1009	801E81-5	RT0700CJ INDICATION LABEL	1	N/A
1009	122703-7	TRIMMER GUIDE ASS'Y	1	N/A
1010	195563-0	PLUNGE BASE SET	1	N/A
1010	801E82-3	RT0700CJ PLASTIC CASE LABEL	2	N/A
1010		*** COMPO-PARTS		N/A
1011	195561-4	TILT BASE SET	1	N/A
1011		*** COMPO-PARTS		N/A
1012	153489-2	GRIP 36 COMPLETE	1	N/A
1013	195564-8	GUIDE HOLDER SET	1	N/A
1014	821552-6	CONNECTOR PLASTIC CASE (TYPE4)	1	N/A
1014	831327-5	TOOL BAG	1	N/A
1015	837247-1	TRAY	1	N/A
1016	801R70-8	RT0700CW1J INDICATION LABEL	1	N/A
1016	801E83-1	RT0700CX2J INDICATION LABEL	1	N/A



Makita Werkzeug Ges.m.b.H.

Kolpingstrasse 13, 1230 Wien

Tel: 01 / 616 27 30 - 0*

Fax: 01 / 616 27 30 - 40

Mail: verkauf@makita.at

Web: www.makita.at

Makita Service Information / Model: RT0700C

POS	Bestell-Nr.	Artikelbeschreibung	Stk.	Stk.Preis
1017	801R71-6	RT0700CW1J PLASTIC CASE LABEL	2	N/A
1017	801E84-9	RT0700CX2J PLASTIC CASE LABEL	2	N/A
1018	D-30209	ROUTER BIT 3PCS/SET MM	1	N/A