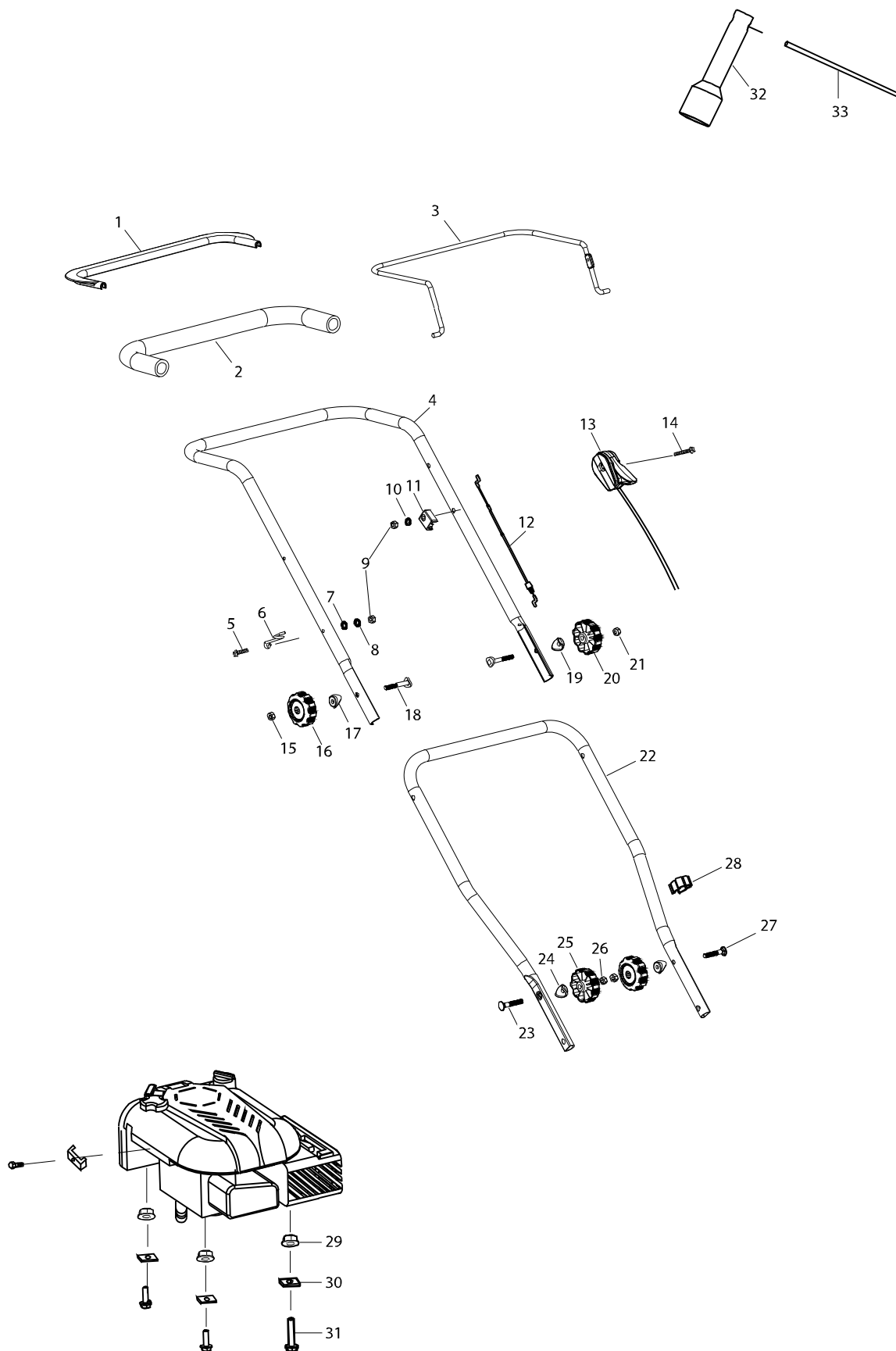
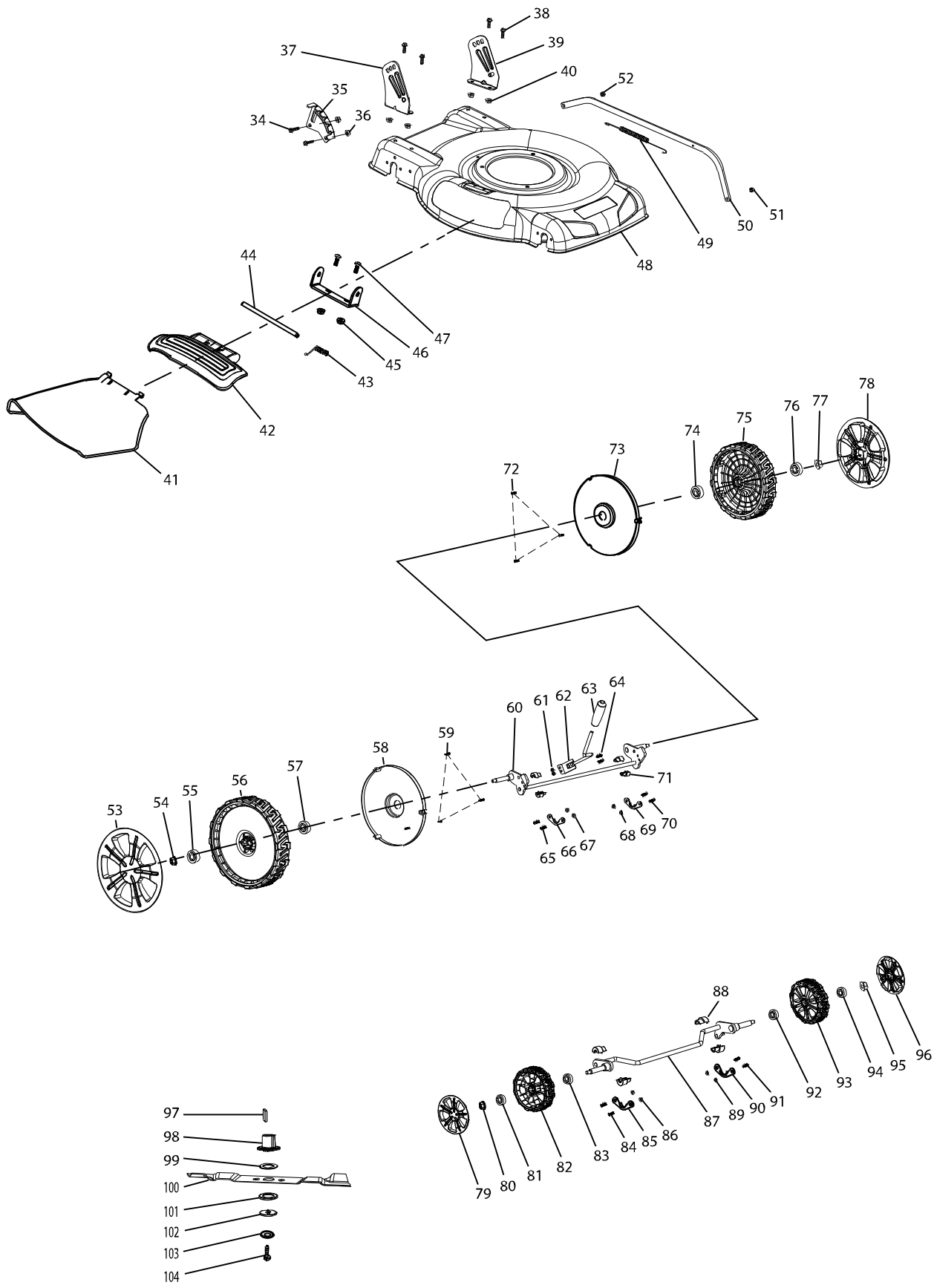


# Modellszám PLM5120N2 PETROL LAWN MOWER



# Modellszám PLM5120N2 PETROL LAWN MOWER



Tétel	Cikkszám	Megnevezés	Átala	Menny.	N/O	Opc 1	Opc 2	Megjegyzés
001	671687001	PULLING POLE BUCKLE		1				
002	671103001	HANDLE SHEATH		1				
003	DA00001087	FRAMOUT POLE		1				
004	671001836	UPPER HANDLE		1				
005	DA00000577	HEXAGON FLANGE BOLT		1				
006	DA00000579	CABLE HOOK		1				
007	DA00000574	FLAT WASHER		1				
008	DA00000576	SPRING WASHER		1				
009	DA00000575	LID SHAPE NUT M6		2				
010	DA00000574	FLAT WASHER		1				
011	DA00000573	CABLE FIXING PLATE		1				
012	DA00001164	FRAMOUT CABLE		1				
013	DA00001165	THROTTLE ASS'Y		1				
014	DA00000572	HEXAGON FLANGE BOLT		1				
015	DA00000563	HEXAGON NUT		1				
016	DA00000564	KNOB		1				
017	DA00000924	GASKET		1				
018	DA00000569	FLAT HEAD BOLT		2				
019	DA00000924	GASKET		1				
020	DA00000564	KNOB		1				
021	DA00000563	HEXAGON NUT		1				
022	DA00000948	LOWER HANDLE		1				
023	DA00000566	BOLT		1				
024	DA00000924	GASKET		2				
025	DA00000564	KNOB		2				
026	DA00000563	HEXAGON NUT		2				
027	DA00000566	BOLT		1				
028	DA00001163	CABLE CLAMP		1				
029	DA00000537	HEXAGON FLANGE LOCK NUT		3				
030	DA00000582	SQUARE WASHER		3				
031	DA00000586	HEXAGON BOLT		3				
032	DA00000583	WRENCH		1				
033	DA00000584	WRENCH POLE		1				
034	DA00000562	HEXAGON FLANGE BOLT		2				
035	671001710	HEIGHT ADJUSTMENT BOARD		1				
036	DA00000537	HEXAGON FLANGE LOCK NUT		2				
037	DA00000588	RIGHT BRACKET OF HANDLE (BLUE)		1				
038	DA00000562	HEXAGON FLANGE BOLT		4				
039	DA00000587	LIEFT BRACKET OF HANDLE (BLUE)		1				
040	DA00000537	HEXAGON FLANGE LOCK NUT		4				
041	DA00000560	SIDE DISCHARGE PROTECTING		1				
042	DA00000559	SIDE DISCHARGE COVER BOARD		1				
043	DA00000556	SIDE DISCHARGE SPRING		1				
044	DA00000558	AXIS		1				
045	DA00000543	METAL HEXAGON FLANGE LOCK NUT		2				
046	DA00000555	PRESSING BOARD		1				
047	DA00000552	TRIGGER SCREW		2				
048	671015240	DECK(MAKITA BLUE)		1				

Tétel	Cikkszám	Megnevezés	Átala	Menny.	N/O	Opc 1	Opc 2	Megjegyzés
049	DA00000546	CONNECTION ROD SPRING		1				
050	DA00001162	CONNECTION ROD		1				
051	DA00000549	HEXAGON LOCK NUT		1				
052	DA00000549	HEXAGON LOCK NUT		1				
053	671001322	11 WHEEL COVER		1				
054	DA00000537	HEXAGON FLANGE LOCK NUT		1				
055	DA00000538	BEARING		1				
056	671002021	11 WHEEL ASS'Y		1				
057	DA00000538	BEARING		1				
058	671666001	DUSTPROOF WHEEL COVER		1				
059	DA00000603	SELF-TAPPING SCREW		3				
060	671001828	REAR WHEEL AXIS ASS'Y		1				
061	DA00000549	HEXAGON LOCK NUT		2				
062	671001707	HANDLE		1				
063	DA00001058	HANDLE SHEATH		1				
064	671002030	CROSS HEAD SCREW M6X14		2				
065	671002019	TRIGGER SCREW		2				
066	DA00000542	FIXING RING FOR WHEEL AXIS		1				
067	DA00000543	METAL HEXAGON FLANGE LOCK NUT		2				
068	DA00000543	METAL HEXAGON FLANGE LOCK NUT		2				
069	DA00000542	FIXING RING FOR WHEEL AXIS		1				
070	671002019	TRIGGER SCREW		2				
071	DA00000545	WHEEL AXIS SHEATH		4				
072	DA00000603	SELF-TAPPING SCREW		3				
073	671666001	DUSTPROOF WHEEL COVER		1				
074	DA00000538	BEARING		1				
075	671002021	11 WHEEL ASS'Y		1				
076	DA00000538	BEARING		1				
077	DA00000537	HEXAGON FLANGE LOCK NUT		1				
078	671001322	11 WHEEL COVER		1				
079	DA00000536	WHEEL COVER		1				
080	DA00000537	HEXAGON FLANGE LOCK NUT		1				
081	DA00000538	BEARING		1				
082	671020160	8 WHEEL ASS'Y		1				
083	DA00000538	BEARING		1				
084	671002019	TRIGGER SCREW		2				
085	DA00000542	FIXING RING FOR WHEEL AXIS		1				
086	DA00000543	METAL HEXAGON FLANGE LOCK NUT		2				
087	671001811	FRONT WHEEL AXIS ASS'Y		1				
088	DA00000545	WHEEL AXIS SHEATH		4				
089	DA00000543	METAL HEXAGON FLANGE LOCK NUT		2				
090	DA00000542	FIXING RING FOR WHEEL AXIS		1				
091	671002019	TRIGGER SCREW		2				
092	DA00000538	BEARING		1				
093	671020160	8 WHEEL ASS'Y		1				
094	DA00000538	BEARING		1				
095	DA00000537	HEXAGON FLANGE LOCK NUT		1				
096	DA00000536	WHEEL COVER		1				

