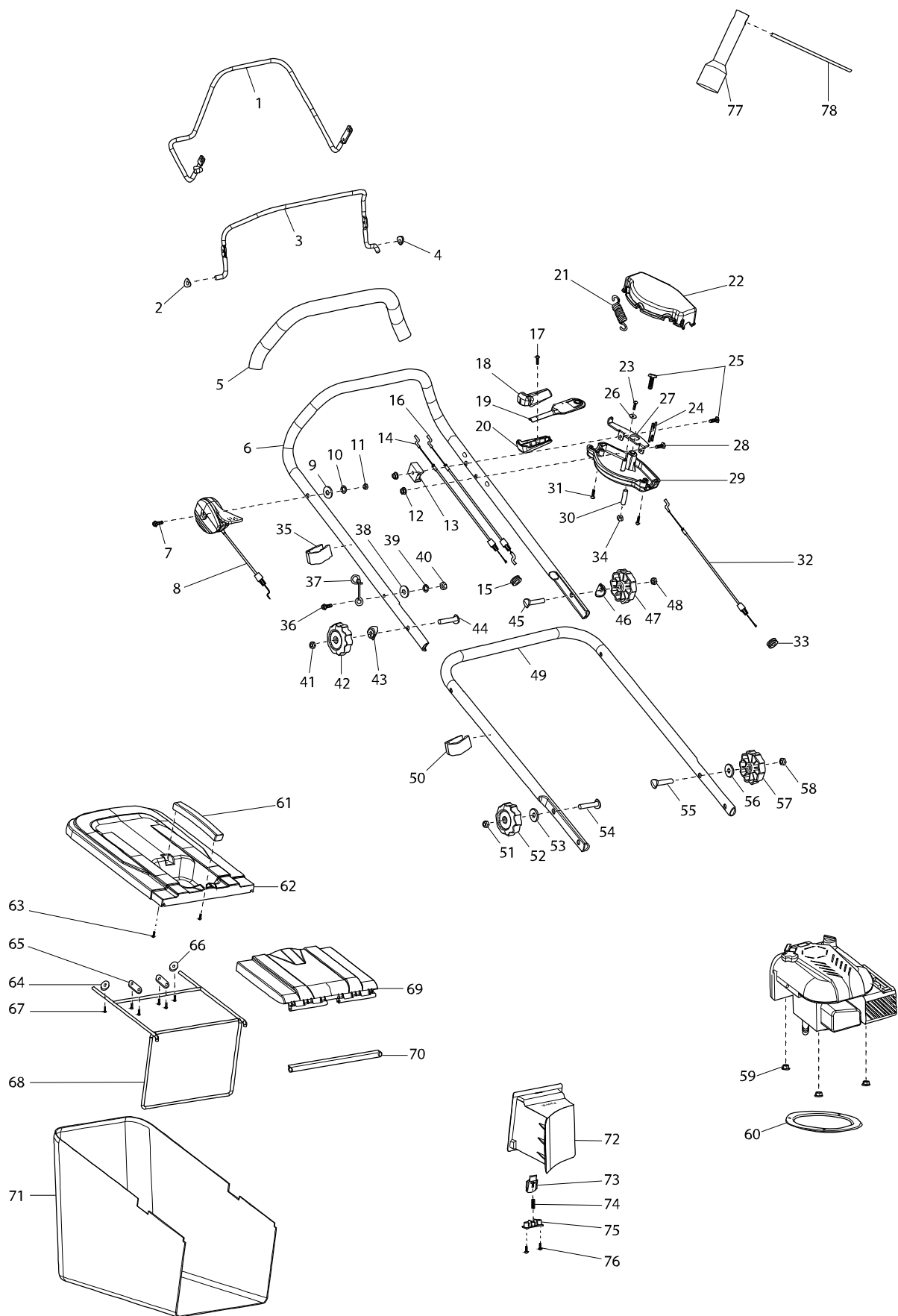
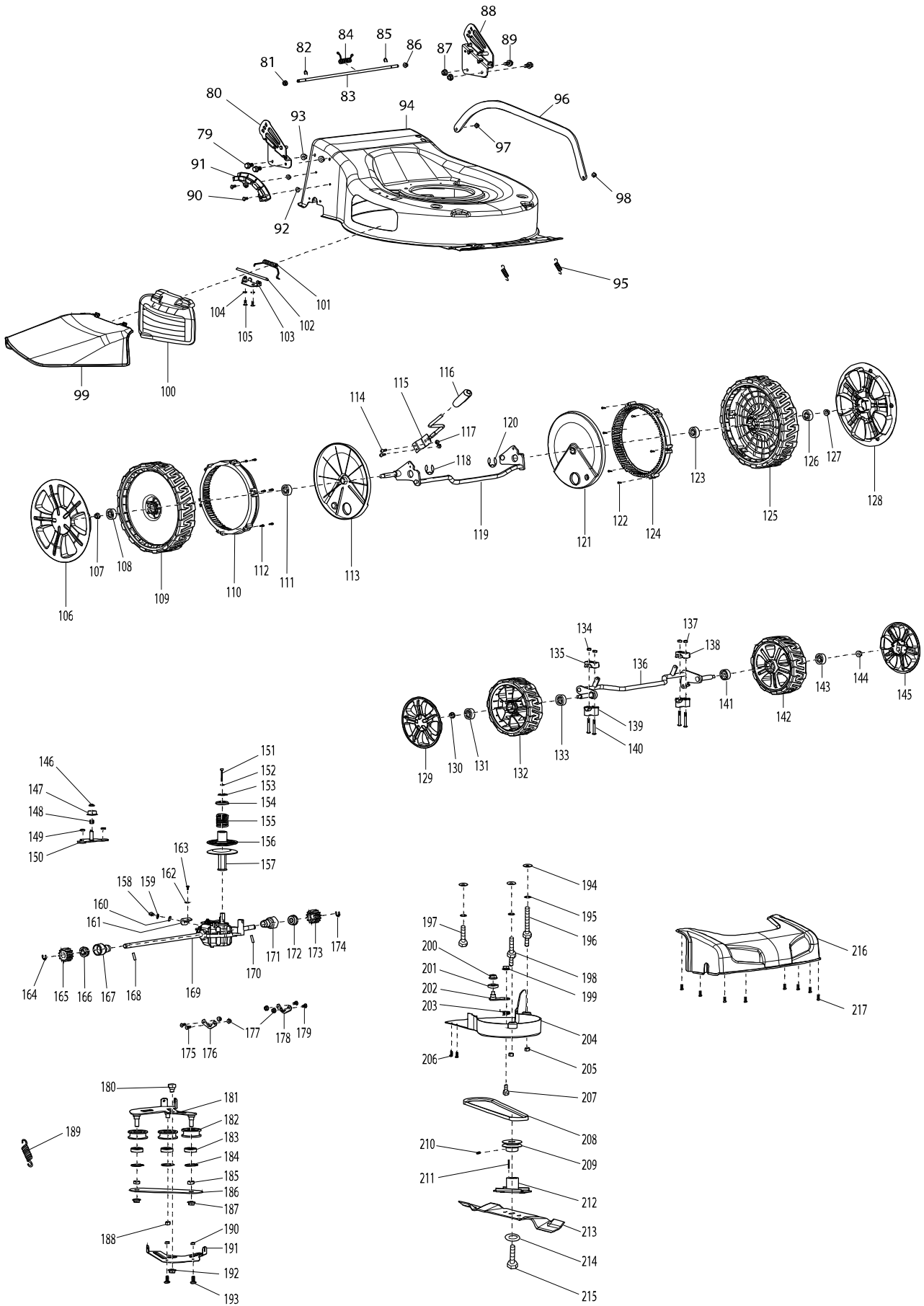


# Modellszám PLM5113N2 PETROL LAWN MOWER



# Modellszám PLM5113N2 PETROL LAWN MOWER



Tétel	Cikkszám	Megnevezés	Átala	Menny.	N/O	Opc 1	Opc 2	Megjegyzés
001	DA00000964	DRIVING POLE		1				
002	671001524	PRESSING PLATE		1				
003	DA00000961	FRAMEOUT POLE		1				
004	671001524	PRESSING PLATE		1				
005	671001029	HANDLE PROTECTING SHEATH		1				
006	DA00000963	UPPER HANDLE POLE		1				
007	671006082	HEXAGON FLANGE BOLT M6X50		1				
008	DA00001160	THROTTLE HANDLE ASS'Y		1				
009	DA00000574	FLAT WASHER		1				
010	DA00000576	SPRING WASHER		1				
011	DA00000575	LID SHAPE NUT M6		1				
012	DA00000543	METAL HEXAGON FLANGE LOCK NUT		2				
013	DA00000573	CABLE FIXING PLATE		1				
014	DA00000977	DRIVING CORD ASS'Y		1				
015	671800104	CABLE PROTECTING SHEATH		1				
016	DA00001173	FRAMEOUT CORD ASS'Y		1				
017	DA00000873	TAPPING SCREW ST4.2X15		1				
018	DA00000869	VARIABLE SPEED ADJUSTMENT HANI		1				
019	DA00000972	SPEED ADJUSTMENT BOX POLE		1				
020	DA00000870	VARIABLE SPEED ADJUSTMENT HANI		1				
021	671011123	EXTENTION SPRING		1				
022	671470002	SPEED ADJUSTMENT BOX(UPPER)		1				
023	DA00000603	SELF-TAPPING SCREW		1				
024	671001511	FIXED PLATE		1				
025	671006063	HEXAGON BOLT M6*40		2				
026	671002075	BEARING PRESSING PLATE		1				
027	671001514	SPEED ADJUSTMENT BOX FIXED PLA		1				
028	DA00000577	HEXAGON FLANGE BOLT		1				
029	671470001	SPEED ADJUSTMENT BOX(LOWER)		1				
030	671001513	SHEATH		1				
031	671010630	TAPPING SCREW ST4.2*25		2				
032	671001191	SPEED ADJUSTMENT CORD ASSY		1				
033	671800104	CABLE PROTECTING SHEATH		1				
034	DA00000543	METAL HEXAGON FLANGE LOCK NUT		1				
035	671611001	CABLE CLAMP		1				
036	DA00000577	HEXAGON FLANGE BOLT		1				
037	DA00000579	CABLE HOOK		1				
038	DA00000574	FLAT WASHER		1				
039	DA00000576	SPRING WASHER		1				
040	DA00000575	LID SHAPE NUT M6		1				
041	DA00000563	HEXAGON NUT		1				
042	DA00000564	KNOB		1				
043	DA00000924	GASKET		1				
044	DA00000569	FLAT HEAD BOLT		1				
045	DA00000569	FLAT HEAD BOLT		1				
046	DA00000924	GASKET		1				
047	DA00000564	KNOB		1				
048	DA00000563	HEXAGON NUT		1				

Tétel	Cikkszám	Megnevezés	Átala	Menny.	N/O	Opc 1	Opc 2	Megjegyzés
049	671001606	LOWER HANDLE POLE		1				
050	671611001	CABLE CLAMP		1				
051	DA00000563	HEXAGON NUT		1				
052	DA00000564	KNOB		1				
053	671007007	FLAT WASHER M8		1				
054	DA00000880	FLAT HEAD BOLT M8*35		1				
055	DA00000880	FLAT HEAD BOLT M8*35		1				
056	671007007	FLAT WASHER M8		1				
057	DA00000564	KNOB		1				
058	DA00000563	HEXAGON NUT		1				
059	DA00000537	HEXAGON FLANGE LOCK NUT		3				
060	671144701	RUBBER		1				
061	671454001	GRASS CATCHER HANDLE		1				
062	671521001	GRASS CATCHER COVER		1				
063	DA00000326	SELF DRIVING SCREW 5X16		2				
064	DA00000025	WASHER		1				
065	DA00000335	FRONT AXLE PLATE		2				
066	DA00000025	WASHER		1				
067	DA00000888	SELF-TAPPING SCREW ST5*12		6				
068	671001443	GRASS CATCHER BRACKET		1				
069	671468001	REAR COVER BOARD		1				
070	671001353	PRESSING BAR		1				
071	671144401	GRASS CATCHER(MAKITA LOGO)		1				
072	671509001	REAR BLOCK PLATE		1				
073	671316004	LOCKING BUTTON OF MULCHING KIT		1				
074	671011005	SPRING		1				
075	671317001	PRESSING BOARD OF LOCKING		1				
076	DA00000603	SELF-TAPPING SCREW		2				
077	DA00000583	WRENCH		1				
078	DA00000584	WRENCH POLE		1				
079	DA00000562	HEXAGON FLANGE BOLT		2				
080	671001325	RIGHT HANDLE BRACKET		1				
081	DA00000543	METAL HEXAGON FLANGE LOCK NUT		1				
082	671009017	OPEN BLOCK RING		1				
083	671001518	LONG POLE		1				
084	671011101	SPRING		1				
085	671009017	OPEN BLOCK RING		1				
086	DA00000543	METAL HEXAGON FLANGE LOCK NUT		1				
087	DA00000537	HEXAGON FLANGE LOCK NUT		2				
088	671001324	LEFT HANDLE BRACKET		1				
089	DA00000562	HEXAGON FLANGE BOLT		2				
090	671002019	TRIGGER SCREW		2				
091	DA00000788	HEIGHT ADJUSTMENT PLATE		1				
092	DA00000543	METAL HEXAGON FLANGE LOCK NUT		2				
093	DA00000537	HEXAGON FLANGE LOCK NUT		2				
094	671132602	DECK(MAKITA BLUE)		1				
095	671011142	EXTENSION SPRING		2				
096	DA00001159	LINK ROD		1				

Tétel	Cikkszám	Megnevezés	Átala	Menny.	N/O	Opc 1	Opc 2	Megjegyzés
097	DA00000549	HEXAGON LOCK NUT		1				
098	DA00000549	HEXAGON LOCK NUT		1				
099	DA00000969	SIDE DISCHARGE COVER		1				
100	671514001	SIDE DISCHARGE COVER		1				
101	671111300	SPRING OF SIDE DISCHARGE COVER		1				
102	671001019	POSITION FIXING AXLE OF SIDE		1				
103	671001571	FIXING BOARD		1				
104	DA00000198	SPRING WASHER		2				
105	671201501	TRIGGER BOLT M5X10		2				
106	671001322	11 WHEEL COVER		1				
107	DA00000537	HEXAGON FLANGE LOCK NUT		1				
108	DA00000538	BEARING		1				
109	671002021	11 WHEEL ASS'Y		1				
110	671200010	WHEEL GEAR RING		1				
111	DA00000538	BEARING		1				
112	DA00000603	SELF-TAPPING SCREW		6				
113	671251800	DUST-PROOF WHEEL COVER		1				
114	671002030	CROSS HEAD SCREW M6X14		2				
115	671001570	LEVER HEIGHT ADJUSTMENT		1				
116	DA00001058	HANDLE SHEATH		1				
117	DA00000549	HEXAGON LOCK NUT		2				
118	DA00000612	OPEN BLOCK RING		1				
119	671001574	REAR WHEEL AXIS ASSY		1				
120	DA00000612	OPEN BLOCK RING		1				
121	671251800	DUST-PROOF WHEEL COVER		1				
122	DA00000603	SELF-TAPPING SCREW		6				
123	DA00000538	BEARING		1				
124	671200010	WHEEL GEAR RING		1				
125	671002021	11 WHEEL ASS'Y		1				
126	DA00000538	BEARING		1				
127	DA00000537	HEXAGON FLANGE LOCK NUT		1				
128	671001322	11 WHEEL COVER		1				
129	DA00000536	WHEEL COVER		1				
130	DA00000537	HEXAGON FLANGE LOCK NUT		1				
131	DA00000538	BEARING		1				
132	671020160	8 WHEEL ASS'Y		1				
133	DA00000538	BEARING		1				
134	DA00000549	HEXAGON LOCK NUT		2				
135	671445001	BRACKET PRESSING BOARD		1				
136	671001573	FRONT WHEEL AXIS ASSY		1				
137	DA00000549	HEXAGON LOCK NUT		2				
138	671445001	BRACKET PRESSING BOARD		1				
139	671418001	FIXED BRACKET		2				
140	671002028	TRIGGER BOLT M6*45		4				
141	DA00000538	BEARING		1				
142	671020160	8 WHEEL ASS'Y		1				
143	DA00000538	BEARING		1				
144	DA00000537	HEXAGON FLANGE LOCK NUT		1				

Tétel	Cikkszám	Megnevezés	Átala	Menny.	N/O	Opc 1	Opc 2	Megjegyzés
145	DA00000536	WHEEL COVER		1				
146	DA00000543	METAL HEXAGON FLANGE LOCK NUT		1				
147	671002038	SHAFT SHEATH		1				
148	671011156	SPRING		1				
149	671005011	HEXAGON LOCKING NUT M5		2				
150	671001717	FIXED PLATE		1				
151	671006123	BOLT M5*55		1				
152	671080040	SPRING WASHER M5		1				
153	671009020	WIRE BLOCK RING		1				
154	671001457	PRESSING PLATE		1				
155	671011122	SPRING		1				
156	671010540	UPPER DRIVEN WHEEL		1				
157	671001082	DRIVEN AXIS WITH LOWER DRIVEN		1				
158	DA00000562	HEXAGON FLANGE BOLT		1				
159	DA00000832	SPRING WASHER		1				
160	671007007	FLAT WASHER M8		1				
161	DA00000915	FIXED BOARD 2		1				
162	DA00000576	SPRING WASHER		1				
163	671002019	TRIGGER SCREW		1				
164	DA00000604	OPEN BLOCK RING		1				
165	DA00001091	RIGHT GEAR		1				
166	DA00001029	BEARING		1				
167	671002024	BEARING SHEATH		1				
168	671090001	CYLINDRICAL PIN		1				
169	671501031	GEAR BOX		1				
170	DA00000597	COLUMN PIN		1				
171	671002024	BEARING SHEATH		1				
172	DA00001029	BEARING		1				
173	DA00001090	LEFT OUTPUT GEAR ASSEMBLY		1				
174	DA00000604	OPEN BLOCK RING		1				
175	671002019	TRIGGER SCREW		2				
176	DA00000542	FIXING RING FOR WHEEL AXIS		1				
177	DA00000543	METAL HEXAGON FLANGE LOCK NUT		4				
178	DA00000542	FIXING RING FOR WHEEL AXIS		1				
179	671002019	TRIGGER SCREW		2				
180	671003042	BOLT		1				
181	671001455	FIXED BOARD		1				
182	671001056	SPEED ADJUSTMENT WHEEL		3				
183	671004015	BEARING 6001RS		3				
184	671009021	WIRE BLOCK RING		3				
185	DA00000563	HEXAGON NUT		2				
186	671001533	PRESSING PLATE		1				
187	DA00000537	HEXAGON FLANGE LOCK NUT		2				
188	671005008	HEXAGON LOCKING NUT		1				
189	671011021	SPRING		1				
190	DA00000549	HEXAGON LOCK NUT		2				
191	DA00000971	FIXING BOARD		1				
192	DA00000537	HEXAGON FLANGE LOCK NUT		1				

