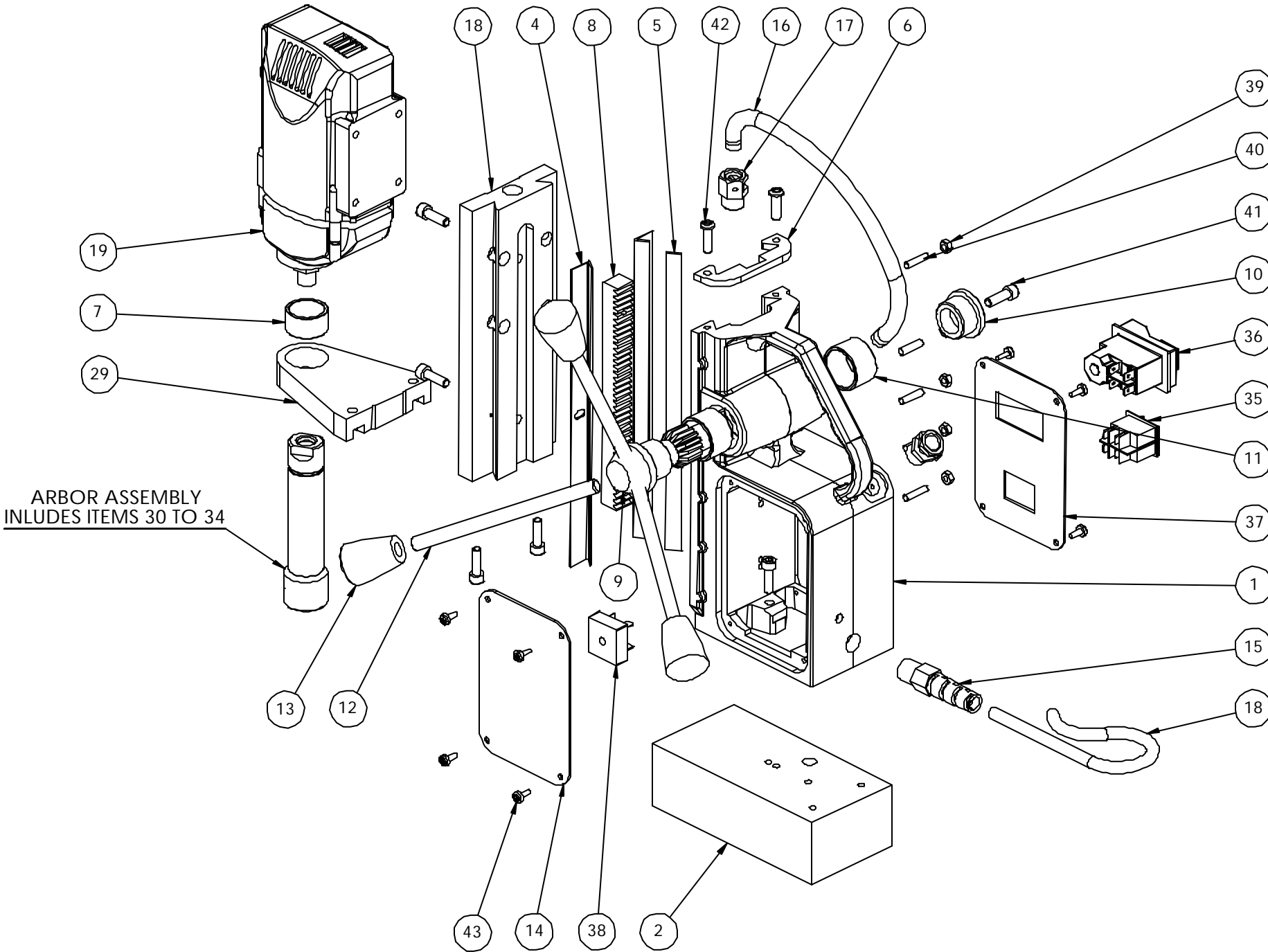


FIRST ANGLE PROJECTION DO NOT SCALE IF IN DOUBT - ASK

COPYRIGHT (C)1998, UDCE Ltd. 43 CATLEY ROAD, DARNALL, SHEFFIELD, S9 5JF
THIS DRAWING MAY NOT BE REPRODUCED OR COPIED IN PART OR WHOLE,
WITHOUT THE EXPRESS PERMISSION OF UDCE Ltd.



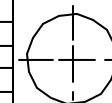
ARBOR ASSEMBLY
INCLUDES ITEMS 30 TO 34

ISSUE	DESCRIPTION	DATE

NOTE
GURAD DETAILS NOTE SHOWN
ON EXPLODED VIEW

ITEM NO	PART NO	DESCRIPTION	QTY
1	M0001BLU	BODY MB30 BLUE (CAPRI BLUE)	1
2	M0031	MAGNET BASE (SMALL)	1
3	R0161	SLIDE (MB30 MAKITA)	1
4	M0101	BRASS RAIL (MB30)	2
5	M0441	G.F.S. (MB30)	1
6	M0811	TOP PLATE (MB30)	1
7	M0521	BUSH (MB30 STEADY)	1
8	M0831	RACK (MB30)	1
9	M0041	PINION - MB30 (SMALL)	1
10	M0072	PINION END CAP (DEEP)	1
11	M0081	BUSH (PINION)	2
12	M0061	HANDLE (10mm SMALL)	3
13	M0841	HANDLE KNOB (10mm KNOCK ON)	3
14	M0221B	E32 WARNING PLATE	1
15	10231	M16 STRAIN RELIEF CABLE GLAND	1
16	M0444	CONDUIT (BLACK)	1
17	M0451	CABLE GLAND (MAGTRON)	2
18	10237-1	CABLE YELLOW (110V)	1
19	MAK101	DRILL (MAKITA 6013B 110V)	1
20	STRAP01	POLYESTER WEBBING SAFETY STRAP	1
21	KEY01	ALLEN KEY 2.5MM	1
22	KEY03	ALLEN KEY 4MM	1
23	KEY04	ALLEN KEY 5MM	1
24	CASE01	CARRYING CASE-MINIBOR-PLASTIC	1
25	BOX05	BOX (MINIBOR SLEEVE)	1
26	VISO08	NEW GUARD TO SUIT-HIT/MAK/UNI1	1
27	10092	M12 GUARD LOCKING NUT-MAKITA	1
28	OIL02	UNIVERSAL CUTTER OIL (500ml)	1
29	R0511	FRONT STEADY E32	1
30	M0502-A	MB30 LONG REACH ARBOR BODY	1
31	20356	ARBOR SPRING (MINIBOR)	1
32	10205	ARBOR EJECTION PLUG LARGE	1
33	10207	CIRCLIP (19mm INTERNAL)	1
34	10069	M8 X 8 SET SCREW (FLAT POINT)	2
35	NCP006	MAGNET SWITCH - NCP PANEL	1
36	NCP001	DRILL STOP/START SWITCH - 120V	1
37	NCP11	NCP SWITCH PLATE BLANK (SMALL)	1
38	M0401	25A - BRIDGE RECTIFIER	1
39	NUT-M5	M5 NUT	5
40	SC520GRUB	M5 x 20 GRUB SCREW	5
41	SC620CAP	M6 x 20 CAP SCREW	7
42	SC620BUT	M6 x 20 BUTTON HEAD SCREW	2
43	SC3TAP	M3 SELF TAPPING SCREW	8

TITLE	SCALE	1:1	ISSUE	1	DIMENSIONS IN MILLIMETERS
E32 QUICK RELEASE DRILL EXPLODED VIEW	DRAWN BY	L. STOREY	DATE	28/07/05	NO DECIMAL PLACE ±0.25
	APPROVED BY		DATE		ONE DECIMAL PLACE ±0.10
	DWG NUMBER	E32			TWO DECIMAL PLACES ±0.05
					ANGULAR ±1.00°
					SURFACE FINISH 3.2 ✓



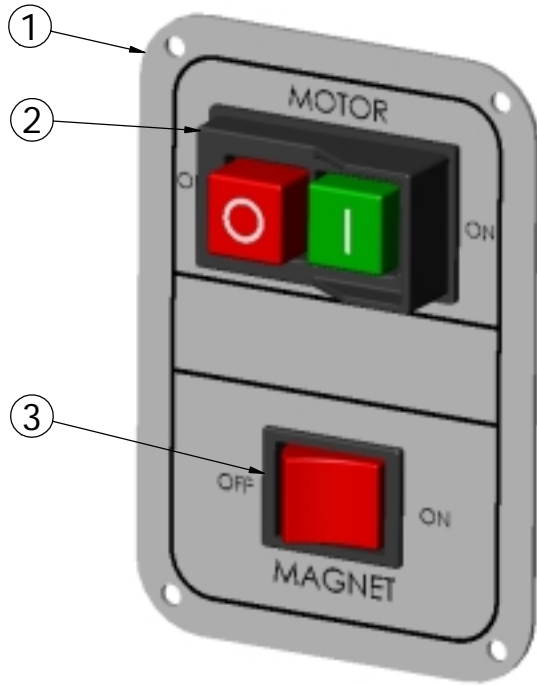
universal

Drilling & Cutting
EQUIPMENT LIMITED

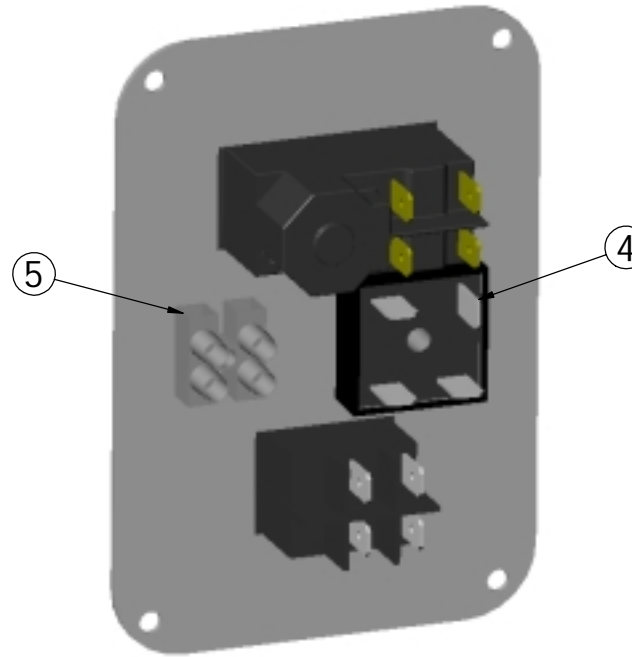
43 Catley Road, Darnall, Sheffield, England. S95JF

Tel. +44(0)114 2911000. Fax. +44(0)114 2425905

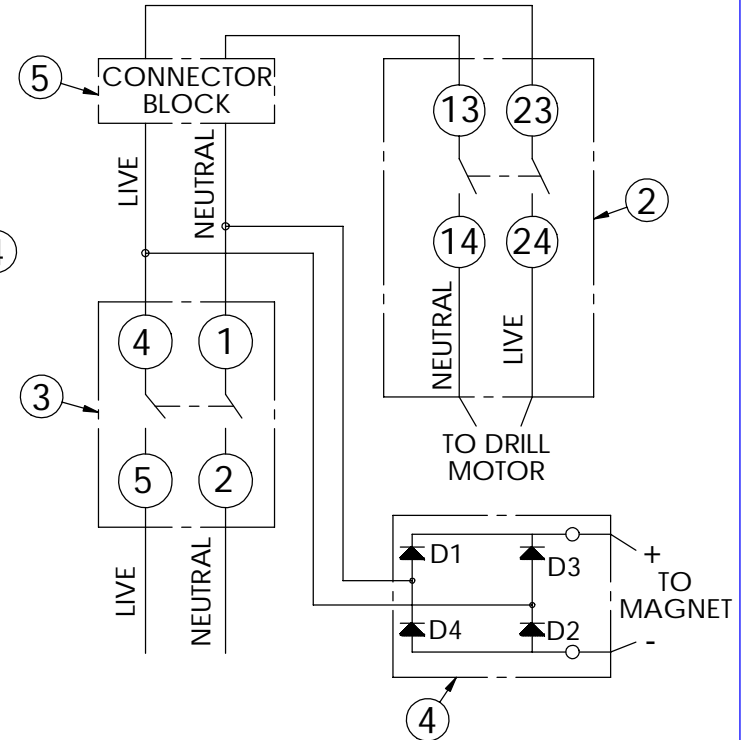
ISSUE	DESCRIPTION	DATE



FRONT VIEW



REAR VIEW



ITEM NO.	QTY.	PART NO.	DESCRIPTION
1	1	NCP11	NCP SWITCH PLATE BLANK (SMALL)
2	1	NCP001	DRILL STOP/START SWITCH-120v
3	1	NCP006	MAGNET SWITCH-NCP PANEL
4	1	M0401	25A-BRIDGE RECTIFIER
5	1	BD044	TWIN CONNECTOR BLOCK

NOTES:
1. ITEM 5 AND 4 TO BE BONDED TO REAR OF PLATE

TITLE	SCALE	NTS	ISSUE	1
COMPONENT PARTS LIST AND WIRING SCHEMATIC FOR NCP PANEL 110v	DRAWN BY	M.KAYE	DATE	30.04.06
	APPROVED BY		DATE	
	DWG NUMBER	PANELNCP03		



universal

Drilling & Cutting
EQUIPMENT LIMITED