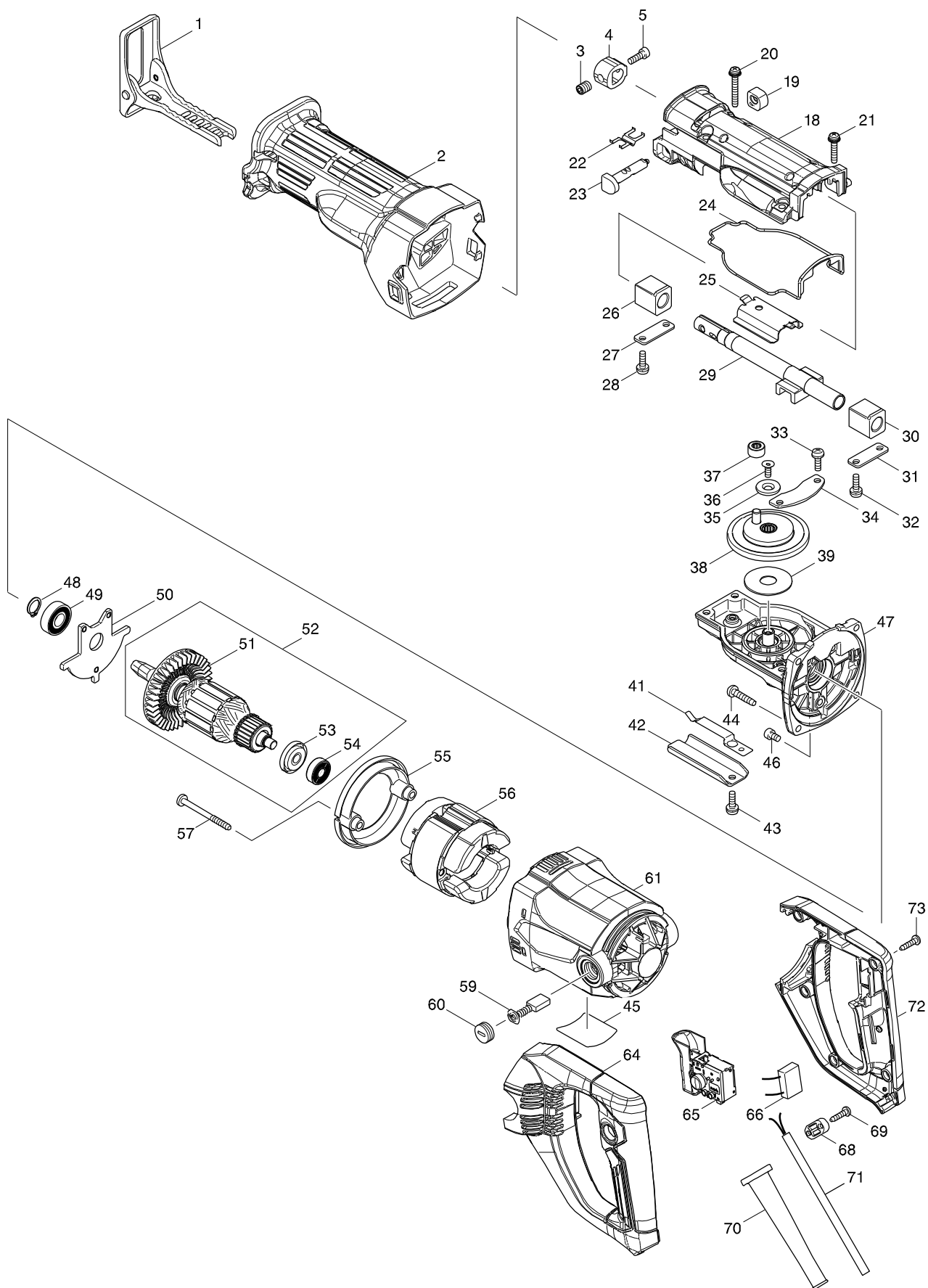


Modellszám M4500 RECIPRO SAW



Tétel	Cikkszám	Megnevezés	Átala	Menny.	N/O	Opc 1	Opc 2	Megjegyzés
001	165741-6	SHOE		1				
002	424588-0	INSULATION COVER		1				
003	266202-0	H.SOCKET SET SCREW(HOLE)M8X10		1				
004	313075-3	BLADE CLAMP		1				
005	266090-5	HEX. SOCKET HEAD BOLT M5X15		1				
018	142177-6	GEAR HOUSING COVER COMPLETE		1				
C10	213151-2	OIL SEAL 14		1				
C20	213174-0	X RING 14		1				
019	418806-6	CAP		1				
020	911258-5	PAN HEAD SCREW M5X35		2				
021	911243-8	PAN HEAD SCREW M5X25		2				
022	232221-8	LEAF SPRING A		1				
023	162236-0	SHIFT BUTTON		1				
024	424586-4	SEAL RING		1				
025	346714-0	SLIDE PLATE		1				
026	214169-6	PLANE BEARING 14		1				
027	341462-6	PLATE		1				
028	911225-0	PAN HEAD SCREW M5X16		2				
029	168821-7	SLIDER		1	*			
029-1	161600-2	SLIDER	<	1				
030	214169-6	PLANE BEARING 14		1				
031	341462-6	PLATE		1				
032	911225-0	PAN HEAD SCREW M5X16		2				
033	911225-0	PAN HEAD SCREW M5X16		2				
034	346715-8	GEAR PLATE		1				
035	267475-8	FLAT WASHER 6		1				
036	251969-3	HEX. SOCKET HEAD BOLT M5X12		1				
037	212959-1	NEEDLE BEARING 708		1				
038	142176-8	GEAR COMPLETE		1				
039	267474-0	FLAT WASHER 14		1				
041	232222-6	LEAF SPRING B		1				
042	346713-2	SHOE GUIDE		1				
043	911225-0	PAN HEAD SCREW M5X16		1				
044	266459-3	TAPPING SCREW 5X25		4				
045	852C68-8	M4500 NAME PLATE		1				
046	265530-0	HEX,SOCKET HEAD BOLT M5X8		3				
047	142178-4	GEAR HOUSING COMPLETE		1				
C10	931302-2	HEX. NUT M6		1				
C20	941151-9	FLAT WASHER 6		1				
048	961052-5	RETAINING RING S-12		1				
049	210107-6	BALL BEARING 6001ZZ		1				
050	285737-2	BEARING RETAINER		1				
051	241863-7	FAN 70		1				
052	518693-4	ARMATURE ASS'Y 240V		1				
D10		INC, 51,53,54						
053	681644-1	INSULATION WASHER		1				
054	210046-0	BALL BEARING 608ZZ		1				
055	454596-7	BAFFLE PLATE		1				

