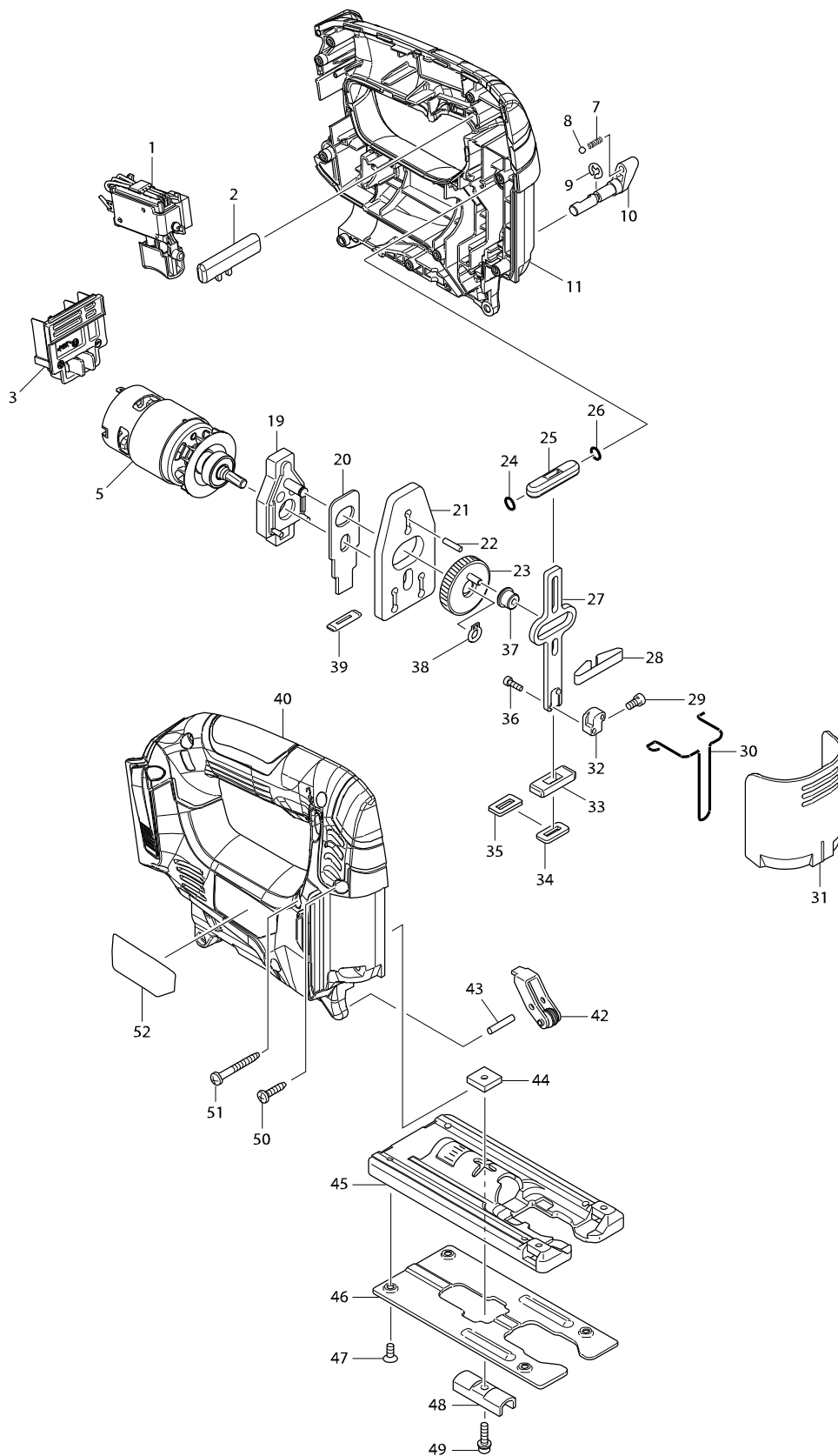


# Modellszám JV183D CORDLESS JIG SAW



# Modellszám JV183D CORDLESS JIG SAW

Oldal / 2

Tétel	Cikkszár	Megnevezés	Átal	Menn	N/C	Opc 1	Opc 2	Megjegyzés
001	632B68-6	SWITCH UNIT		1				
C10	688172-7	LINE FILTER		1				
002	454742-2	LOCK OFF BUTTON		1				
003	643862-9	TERMINAL		1				
005	629113-4	DC MOTOR		1				
007	233151-6	COMPRESSION SPRING 4		1				
008	216008-6	STEEL BALL 4		1				
009	961011-9	STOP RING E-4		1				
010	272267-2	LEVER 19		1				
011	187723-8	HOUSING SET		1				
D10		INC. 40						
019	152600-3	BEARING CASE COMPLETE		1				
020	344683-9	PUSH PLATE		1				
021	344614-8	BALANCE PLATE		1				
022	256254-9	PIN 3		1				
023	153260-4	GEAR COMPLETE		1				
024	213038-8	O RING 5		1				
025	313082-6	SLIDER GUIDE		1				
026	213038-8	O RING 5		1				
027	344613-0	SLIDER		1				
028	232183-0	LEAF SPRING		1				
029	922107-1	HEX. SOCKET HEAD BOLT M4X81						
030	323748-0	SAFETY WIRE		1				
031	416476-5	DUST COVER		1				
032	313140-8	BLADE CLAMP		1				
033	313086-8	SLIDER SUPPORT		1				
034	423307-1	POLY URETANE SPONGE SEAL		1				
035	344686-3	SEAL PLATE		1				
036	266177-3	HEX. SOCKET HEAD BOLT M3X10						
037	257683-9	COLLAR SLEEVE		1				
038	961002-0	RETAINING RING S-6		1				
039	416703-0	DUST SEAL		1				
040	187723-8	HOUSING SET		1				
D10		INC. 11						
042	158392-2	RETAINER COMPLETE		1				
043	256117-9	PIN 4		1				
044	343540-8	HOLDER		1				
045	317796-9	BASE		1				
046	345441-6	BASE PLATE		1				
047	912107-9	COUNTERSUNK HEAD SCREW M4X8						
048	344685-5	CLAMP COMPLETE		1				
049	922128-3	HEX. SOCKET HEAD BOLT M4X16						
050	266326-2	TAPPING SCREW 4X18		9				
051	266351-3	TAPPING SCREW 4X35		1				
052	815D85-5	JV183D NAME PLATE		1				
A01	A-85628	JIGSAW BLADE NO.B10		1				
A02	783201-2	HEX. WRENCH 3		1				
A03A	***DC18W	DC18WA BATTERY CHARGER		1				

Kérem az alkatrészt cikkszámmal rendelje meg.

Dátum nyomtatása 2015/

