



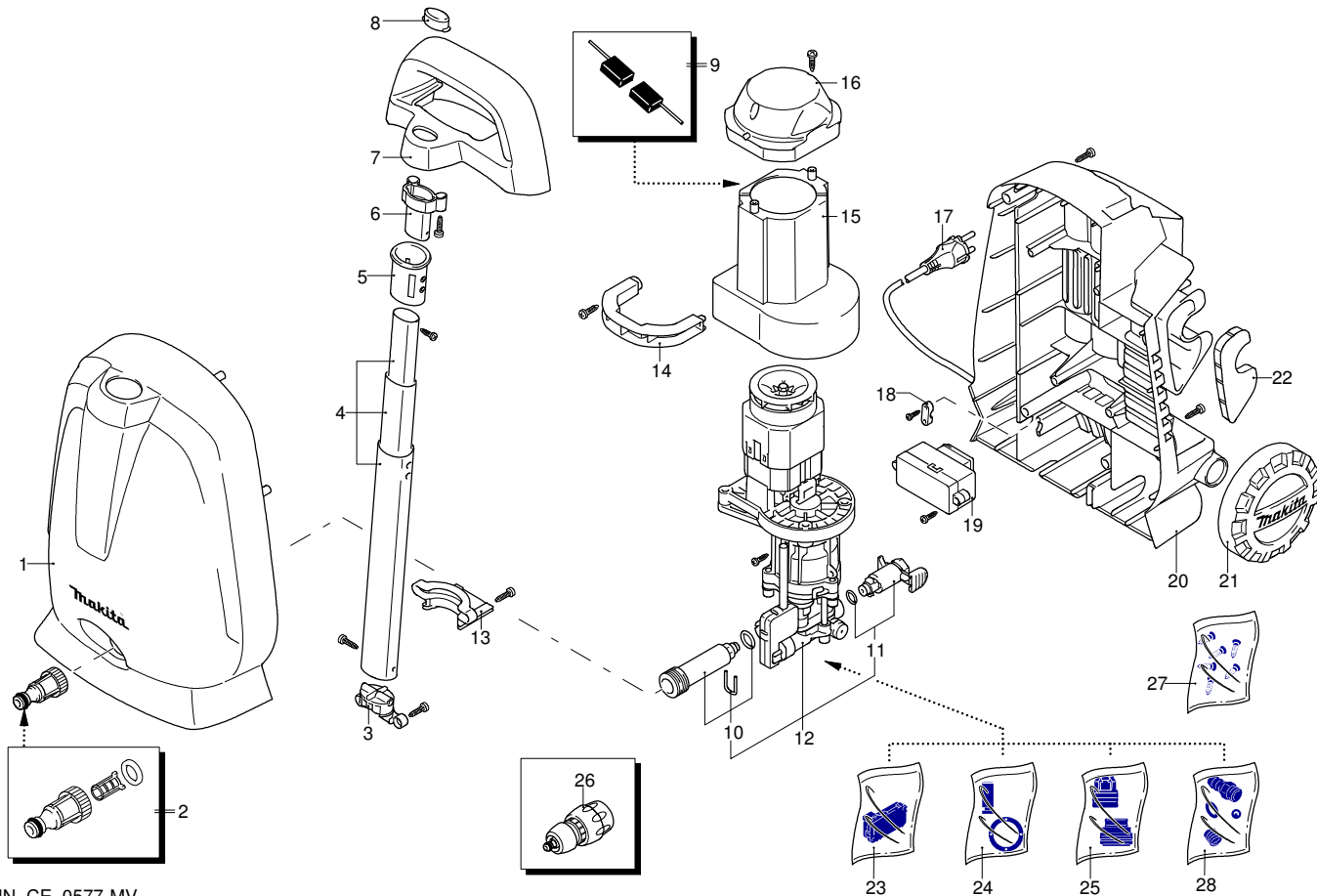
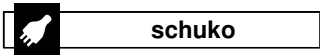
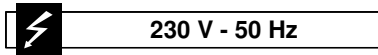
Model HW 102

Version:

Serial number:

Code: **13042**

07/12/2010



Validity	Pos.	Code	Description	Q
	1	3640010	Green casing	1
	2	3082130	Water coupling kit	1
	3	3640050	Stop	1
	4	3640530	Extension	1
	5	3640190	Stop	1
	6	3640060	Stop	1
	7	3640030	Handle	1
	8	3640040	Plug	1
	9	3320600	Brush kit for motor	1
	10	3640580	Suction kit	1
	11	3640590	Delivery kit	1
	12	3640540	Electric pump assembly	1
	13	3640080	Bracket	1
	14	3640180	Bracket	1
	15	3640160	Conveyor	1
	16	3640170	Cover	1
	17	3320730	Cable	1
	18	3320200	Cable gland	1
	19	3320440	Switch	1
	20	3640020	Base	1
	21	3640620	Wheel	2
	22	3320054	Accessories carrier	1
	23	3640570	TSS kit	1
	24	3640560	Piston + seals kit	1
	25	3640550	Water seal kit	1
	26	3082661	Fitting	1
	27	3640610	Screw kit	1
	28	3640600	Detergent plug kit	1



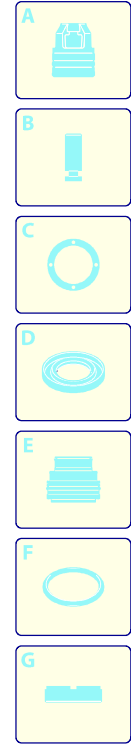
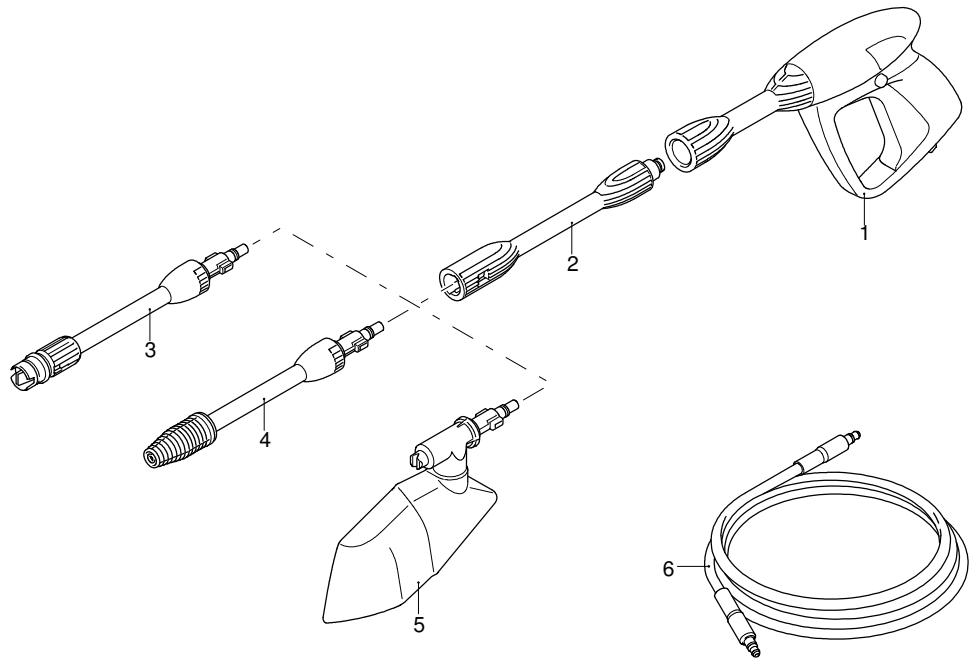
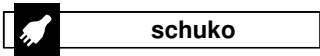
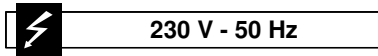
Model HW 102

Version:

Serial number:

Code: **13042**

07/12/2010



Validity	Pos.	Code	Description	Q
	1	3320152	Gun	1
	2	3320130	Extension	1
	3	3640640	Lance+lance head	1
	4	3320120	Lance+rotopower	1
	5	3640090	Tank	1
	6	3640630	High pressure hose	1