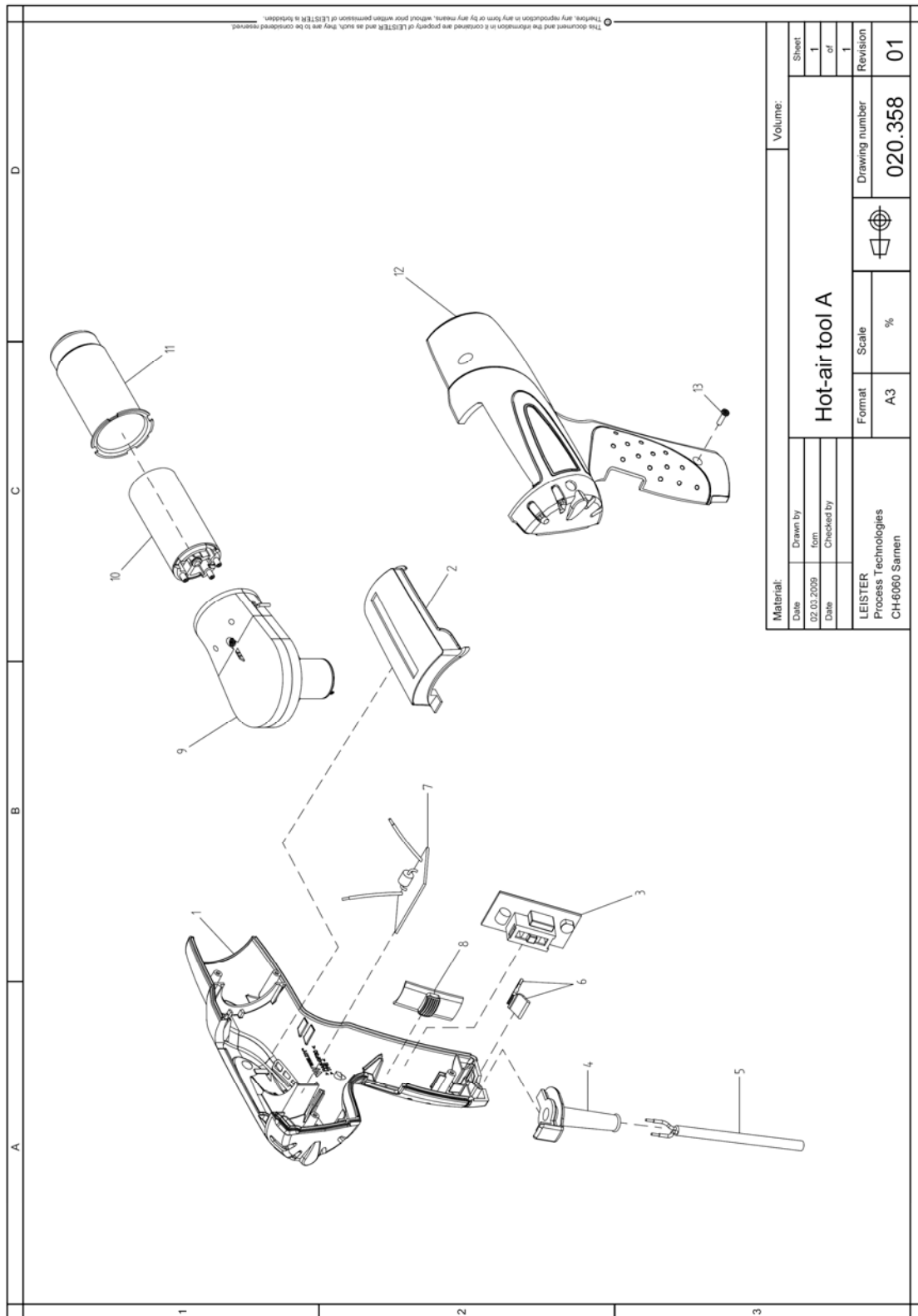


QM	
Page	29 / 31
Created	09.07.2009 BFU
Released	14.08.2009 PRI
Modified	

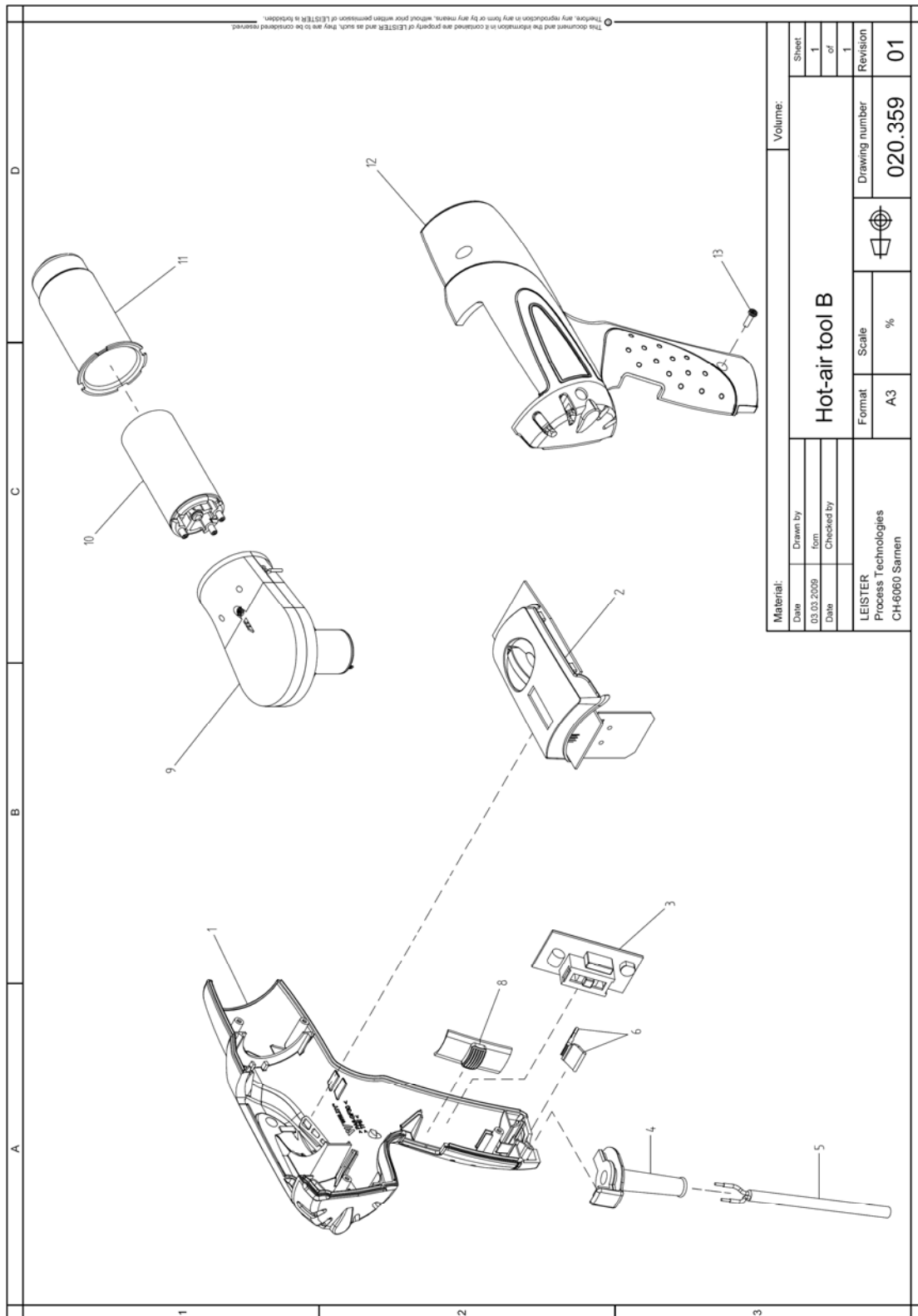
13 Exploded drawings

13.1 Exploded drawing Tool A



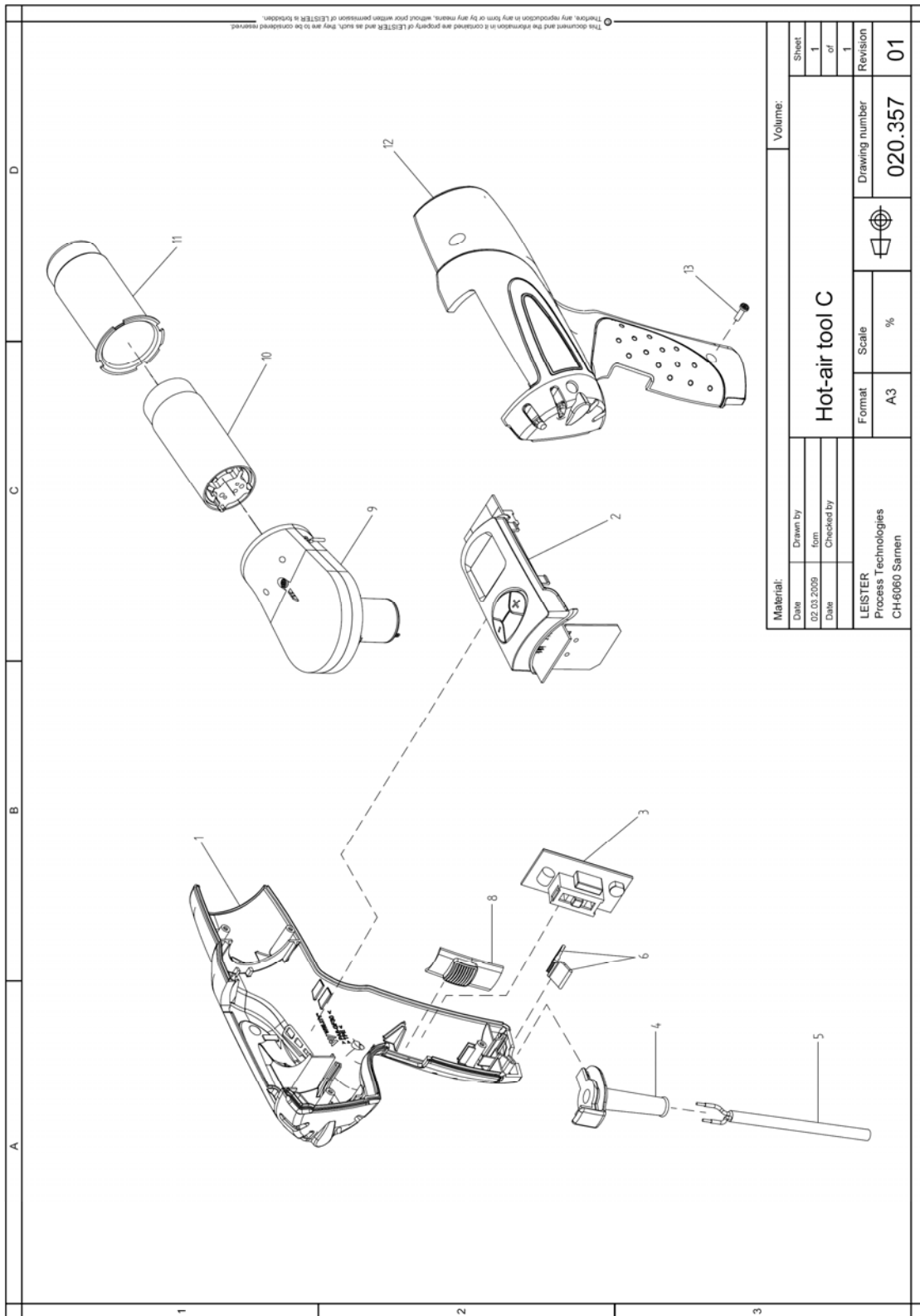
QM	
Page	30 / 31
Created	09.07.2009 BFU
Released	14.08.2009 PRI
Modified	

13.2 Exploded drawing Tool B



QM	
Page	31 / 31
Created	09.07.2009 BFU
Released	14.08.2009 PRI
Modified	

13.3 Exploded drawing Tool C



Spare part list MAKITA new Design

Pos. no.	Item Number	Designation 1	Designation 2	MOQ	Packing unit	Sales price netto/MOQ [CHF]
1	139.079	Housing left part	MAKITA	1	1	3.30
2	130.431	Terminal	Tool A, HG5012	1	5	20.50
2	119.578	Main board complete	Tool B, HG551V	1	3	42.45
2	119.253	Main board complete	Tool C, HG651C	1	3	99.60
3	130.426	Switch board	Tool A, HG5012, 230V	1	5	26.75
3	130.427	Switch board	Tool A, HG5012, 120V, 100V	1	5	26.75
3	130.429	Switch board	Tool B, HG551V	1	5	26.75
3	130.430	Switch board	Tool C, HG651C	1	5	26.75
4	130.419	Cord guard		1	10	5.80
5	130.432	Power supply cord	2 x 1mm2 x 2m, EU ("Konturen")	1	1	3.55
5	130.433	Power supply cord	2 x 1mm2 x 2m, CH	1	1	3.55
5	130.434	Power supply cord	2 x 1mm2 x 2m, UK (GB3)	1	1	4.90
5	130.435	Power supply cord	2 x 1mm2 x 2m, AUS (2P + PE)	1	1	3.55
5	130.437	Power supply cord	2 x 16AWG x 2m, USA (npol 15A)	1	1	4.55
5	130.505	Power supply cord	2 x 1.5mm2 x 2m, UK (110V/16A)	1	1	9.60
5	130.506	Power supply cord	2 x 1.5mm2 x 2m, without plug	1	1	4.90
5	139.081	Power supply cord	2 x 1mm2 x 2m, BRA (2P, 10A)	1	1	4.90
5	139.082	Power supply cord	2 x 1.5mm2 x 2m, BRA (2P, 16A)	1	1	4.90
6	130.421	Strain relief		1	10	3.90
7	130.428	Diode board	Tool A, HG5012, 120V,100V	1	5	13.25
8	130.415	Actuator printed 2-step	Tool A, HG5012; Tool B, HG551V	1	10	5.50
8	130.416	Actuator printed 1-step	Tool C, HG651C	1	10	5.50
9	119.256	Blower unit 110°C	Tool B, HG551V; Tool C, HG651C	1	5	62.50
9	128.147	Blower unit 80 °C	Tool A, HG5012	1	5	62.50
10	131.219	Heating element 230V/1600W	Tool A, HG5012	1	6	85.80
10	131.215	Heating element 230V/1800W	Tool B, HG551V	1	6	85.80
10	131.216	Heating element 230V/2000W	Tool C, HG651C	1	6	106.00
10	131.220	Heating element 120V/1200W	Tool A, HG5012	1	6	85.80
10	131.217	Heating element 120V/1400W	Tool B, HG551V	1	6	85.80
10	131.218	Heating element 120V/1500W	Tool C, HG651C	1	6	106.00
10	131.224	Heating element 100V/1100W	Tool A, HG5012	1	6	85.80
10	131.222	Heating element 100V/1200W	Tool B, HG551V	1	6	85.80
10	131.223	Heating element 100V/1300W	Tool C, HG651C	1	6	106.00
11	130.420	Heater tube		1	5	12.90
12	139.080	Housing right part	MAKITA	1	1	3.30
13	130.417	Tamper resistant PT-screw		1	50	9.90
-	139.083	Operating manual	MAKITA	1	10	9.80
-	139.084	Adhesive label kit	MAKITA	1	1	15.90
-	130.442	Plastic case	Green	1	8	39.90
-	130.422	Screw-driver (special version)		1	1	25.00

Adhesive label kit includes:

-		Warning label	"Hot surface", ø 24		20	
		Adhesive label tools	MAKITA (HG5012/HG551V/HG651C)		10	
		Adhesive label products	MAKITA (HG5012/HG551V/HG651C)		10	
		Adhesive label set	MAKITA HG5012		10	
		Adhesive label set	MAKITA HG551V		10	
		Adhesive label set	MAKITA HG651C		10	
		Adhesive label barcode	MAKITA HG5012, 230V		12	
		Adhesive label barcode	MAKITA HG5012, 120V		12	
		Adhesive label barcode	MAKITA HG551V, 230V		12	
		Adhesive label barcode	MAKITA HG551V, 120V		12	
		Adhesive label barcode	MAKITA HG651C, 230V		12	
		Adhesive label barcode	MAKITA HG651C, 120V		12	
		Adhesive label barcode	MAKITA HG5012K, 230V		12	
		Adhesive label barcode	MAKITA HG5012K, 120V		12	
		Adhesive label barcode	MAKITA HG551VK, 230V		12	
		Adhesive label barcode	MAKITA HG551VK, 120V		12	
		Adhesive label barcode	MAKITA HG651CK, 230V		12	
		Adhesive label barcode	MAKITA HG651CK, 120V		12	