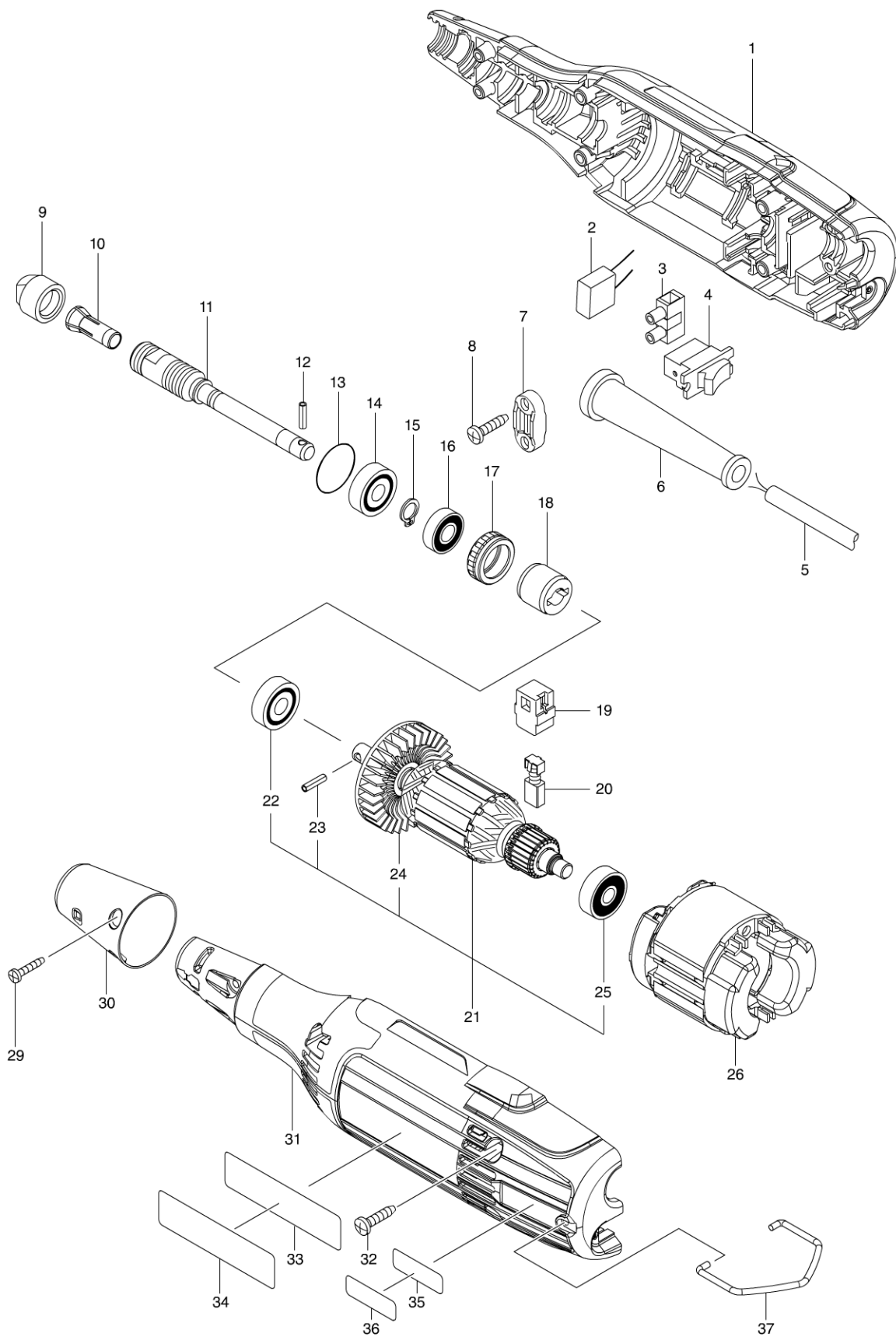


Modellszám GD0603 DIE GRINDER



Modellszám GD0603 DIE GRINDER

Oldal 1 / 1

| Tétel | Cikkszám | Megnevezés | Átala | Menny. | N/O | Opc 1 | Opc 2 | Megjegyzés |
|-------|----------|-----------------------------|-------|--------|-----|-------|-------|------------|
| 001 | 183B62-6 | HOUSING SET | | 1 | | | | |
| C10 | 263002-9 | RUBBER PIN 4 | | 2 | | | | |
| D10 | | INC. 31 | | | | | | |
| 002 | 645239-4 | NOISE SUPPRESSOR | | 1 | | | | |
| 003 | 654532-5 | TERMINAL BLOCK 1P | | 1 | | | | |
| 004 | 651527-9 | SWITCH | | 1 | | | | |
| 005 | 665394-6 | POWER SUPPLY CORD 1.0-2-2.5 | | 1 | | | | |
| 006 | 682569-2 | CORD GUARD 8-85 | | 1 | | | | |
| 007 | 687124-5 | STRAIN RELIEF | | 1 | | | | |
| 008 | 266326-2 | TAPPING SCREW 4X18 | | 2 | | | | |
| 009 | 763236-9 | COLLET NUT6 | | 1 | | | | |
| 010 | 763620-8 | COLLET CONE 6MM | | 1 | | | | |
| 011 | 321194-1 | SPINDLE | | 1 | | | | |
| 012 | 258054-3 | SPRING PIN 3-12 | | 1 | | | | |
| 013 | 213961-7 | O RING 22 | | 1 | | | | |
| 014 | 211031-6 | BALL BEARING 608LLB | | 1 | | | | |
| 015 | 961004-6 | RETAINING RING S-8 | | 1 | | | | |
| 016 | 211166-3 | BALL BEARING 698DDW | | 1 | | | | |
| 017 | 421479-6 | RUBBER RING 19 | | 1 | | | | |
| 018 | 456337-7 | COUPLING | | 1 | | | | |
| 019 | 643566-3 | BRUSH HOLDER 5X8 | | 2 | | | | |
| 020 | 191627-8 | CARBON BRUSH CB-64 | | 1 | | | | |
| 021 | 513434-3 | ARMATURE ASS'Y 240V | | 1 | | | | |
| D10 | | INC. 22-25 | | | | | | |
| 022 | 211031-6 | BALL BEARING 608LLB | | 1 | | | | |
| 023 | 258054-3 | SPRING PIN 3-12 | | 1 | | | | |
| 024 | 240085-6 | FAN 48 | | 1 | | | | |
| 025 | 210025-8 | BALL BEARING 627LLB | | 1 | | | | |
| 026 | 599062-8 | FIELD ASS'Y 240V | | 1 | | | | |
| C10 | 654037-5 | INSULATED TERM. FT1.25-M3 | | 2 | | | | |
| 029 | 266429-2 | TAPPING SCREW 3X16 | | 2 | | | | |
| 030 | 346902-9 | CAP | | 1 | | | | |
| 031 | 183B62-6 | HOUSING SET | | 1 | | | | |
| C10 | 263002-9 | RUBBER PIN 4 | | 2 | | | | |
| D10 | | INC. 1 | | | | | | |
| 032 | 266326-2 | TAPPING SCREW 4X18 | | 4 | | | | |
| 033 | 851G50-8 | GD0603 NAME PLATE | | 1 | | | | |
| 034 | 807G77-6 | CLEAR LABEL | | 1 | | | | |
| 035 | 851G55-8 | GD0603 SERIAL NO. LABEL | | 1 | | | | |
| 036 | 807G78-4 | CLEAR LABEL | | 1 | | | | |
| 037 | 321193-3 | HANGER | | 1 | | | | |
| A01 | 781003-0 | WRENCH 10 | | 2 | | | | |
| A02 | 741614-3 | WHEEL POINT 1-19-60 | | 1 | | | | |
| A03 | 741615-1 | WHEEL POINT 4-19-60 | | 1 | | | | |
| A04 | 741809-8 | DRESSING STONE | | 1 | | | | |
| | | | | | | | | |
| | | | | | | | | |
| | | | | | | | | |

Kérem az alkatrészt cikkszámmal rendelje meg.

Dátum nyomtatása 2015/11/05