

SPARE PARTS LIST

PAGE 1

MODEL NO. G6100R

ITEM	PART NO.	DESCRIPTION	QTY	NOTE
001	3545411608	FRONT COVER	1	
002	0011408200	BOLT & WASHER ASS'Y	4	
003	3905551101	ROTOR COMPLETE INC. 4	1	
004	3545820408	BALL BEARING 6205-2RS	1	
005	3555800908	THROUGH BOLT M10X260	1	
006	31D5112001	STATOR COMPL.	1	
007	31D5102201	REAR COVER	1	
008	31D5102301	STATOR COVER	1	
009	3912900013	BUSHING	1	
010	31D5102501	COVER BOLT M8X160	4	
011	0032008000	SPRING WASHER	4	
012	0023808000	FLANGE NUT	2	
013	3545451308	BRUSH COVER	1	
014	30A7120203	BOLT AND WASHER ASS'Y(M5X12)	2	
015	30G4910608	LABEL(EARTH)	1	
016	3545451408	CAP	1	
017	31D5102401	CAP	1	
018	31D3130101	PIPE FRAME COMPLETE	1	
019	31D9320103	LABEL(MODEL)	1	
020	31D3500101	RUBBER MOUNT UNIT	2	
021	31D3500201	RUBBER MOUNT UNIT	2	
022	0023808000	FLANGE NUT	4	
023	31C6900103	SPACER	2	
024	31D3910101	STOPPER PLATE	1	
025	0021704000	Anyacsavar RBL250	1	
026	0032004000	SPRING WASHER	1	
027	3905441601	EARTH CORD COMPLETE	1	
028	3763910001	SCREW & WASHER ASS'Y	1	
029	0732004860	LABEL(HOT&GAS)	1	
030	30G4910608	LABEL(EARTH)	1	
031	31D7213300	CONTOROL BOX ASS'Y INC. 32-67	1	
032	31D4210101	CONTROL BOX COMPLETE	1	
033	3904755308	CONDENSER COMPLETE	1	
034	30G4760508	CONDENSER BRACKET	4	
035	0043504100	SCREW & WASHER ASS'Y	3	
036	3895998908	SCREW & WASHER ASS'Y	1	
037	0021704000	Anyacsavar RBL250	2	
038	0241150010	GROMMET	1	
039	31D8214803	LABEL(SPEC)	1	
040	3534580408	DIODE STACK ASS'Y	1	
041	0150040070	TAPPING SCREW	1	
042	0031004000	WASHER	1	
043	0011406160	BOLT & WASHER ASS'Y	3	
044	31D7206300	CONTROL PANEL ASS'Y INC. 45-67	1	
045	31C7204801	CONTROL PANEL,COMPL.	1	
046	31B4300203	CIRCUIT BREAKER(20A)	1	
047	0043703051	SCREW AND WASHER ASS'Y	4	
048	3914790011	AC VOLTMETER (200V CLASS)	1	
049	0021703000	NUT(M5)	2	
050	3884574608	AC RECEPTACLE 250V-16A	2	
051	0043103150	SCREW	8	
052	0032003000	SPRING WASHER	8	
053	0031003000	WASHER	8	
054	0021703000	NUT(M5)	8	
055	31B7750501	SWITCH	1	

SPARE PARTS LIST

PAGE 2

MODEL NO. G6100R

ITEM	PART NO.	DESCRIPTION	QTY	NOTE
056	3634570008	TERMINAL BOLT (BLACK)	1	
057	3634570108	TERMINAL BOLT (RED)	1	
058	3205985508	FUSE HOLDER	1	
059	31C7510303	FUSE(10A)	1	
060	3534990108	WING NUT	1	
061	3320005008	SPRING WASHER	2	
062	3534990308	WASHER	1	
063	0033005000	LOCK WASHER	1	
064	3534990208	NUT	1	
065	3564990708	SCREW	1	
066	0732004490	LABEL(ELECTRIC SHOKE)	1	
067	3534990408	TAPPING SCREW(M4X10MM)	7	
068	31D3601301	FUEL TANK COMPLETE	1	
069	0648000300	FUEL GAUGE COMPLETE	1	
070	0145050040	SCREW	2	
071	0430590011	FUEL TANK CAP, COMPLETE	1	
072	0641540011	FUEL FILTER	1	
073	3913900013	RUBBER (TANK)	4	
074	0110060220	FLANGE BOLT	4	
075	0642010700	FULE STRAINER	1	
		INC. 76-78		
076	0642000220	FILTER	1	
077	0642003030	PACKING	1	
078	0642003610	CUP	1	
079	0851060000	RUBBER PIPE (6DX12D)	1	
080	0851060000	RUBBER PIPE (6DX12D)	1	
081	0561110020	HOSE CLAMP 11D	4	
082	0110060030	FLANGE BOLT M6X1.0X14DX14L	1	
083	0732004510	LABEL(SYMBOL-TANK)	1	
084	0732004520	OIL CAUTION LABEL	1	
085	31C8410203	LABEL(98)	1	
086	31D1100401	MUFFLER COMPLETE	1	
087	31D1410101	TAIL SCREW COMP.	1	
088	31D1200101	MUFFLER COVER 1 COMPLETE	1	
089	31D1300103	MUFFLER COVER 2	1	
090	31D6112501	MUFFLER STAY	1	
091	2703520101	GASKET COMPL.(EXHAUST)	1	
092	0170080030	NUT	2	
093	0032008000	SPRING WASHER	2	
094	0011508200	BOLT AND WASHER ASS'Y	4	
095	0011106100	BOLT AND WASHER ASS'Y	8	
096	0150040040	TAPPING SCREW	4	
097	2471010231	CRANKCASE COMPL.	1	
		INC. 98-102		
098	0440350090	OIL SEAL (TB 35X48X8MM)	1	
099	0600350010	Ball bearing 6207C3	1	
100	0600150060	BALL BEARING 6202C3	1	
101	0310060020	DOWEL PIN	2	
102	0440080010	OIL SEAL	1	
103	2464500101	GOVERNOR GEAR COMPLETE	1	
104	2054190103	GOVERNOR SLEEVE	1	
105	2461100141	MAIN BEARING COVER	1	
		INC. 105-108		
106	0440350090	OIL SEAL (TB 35X48X8MM)	1	
107	0600350010	Ball bearing 6207C3	1	
108	0600150060	BALL BEARING 6202C3	1	
109	2246360101	OIL GAUGE COMPLETE	1	
		INC. 110		

SPARE PARTS LIST

PAGE 3

MODEL NO. G6100R

ITEM	PART NO.	DESCRIPTION	QTY	NOTE
110	0213200050	GASKET	1	
111	2471310141	CYLINDER HEAD COMPL. INC. 112-115	1	
112	2461420203	VALVE GUIDE (OVERSIZE)	2	
113	13207AA050	SEAL(INTAKE VALVE)	1	
114	0565100050	CLIP	1	
115	0105080290	MUFFLER STUD	2	
116	2471500123	GASKET(HEAD)	1	
117	2461510113	GASKET(BEARING COVER)	1	
118	0401140030	PLUG	2	
119	0211140020	GASKET	2	
120	2241710103	BLIND COVER	1	
121	2461550101	ROCKER COVER	1	
122	2461600213	GASKET(ROCKER COVER)	1	
123	2461080113	RUBBER PIPE(11X8)	1	
124	0310060020	DOWEL PIN	2	
125	2461430101	BREATHER COVER	1	
126	2461440101	BREATHER PLATE	1	
127	2461600603	GASKET (BREATHER COVER)	1	
128	2461600713	GASKET(BREATHER PLATE)	1	
129	0011308400	BOLT AND WAHER ASS'Y	7	
130	0110060020	FLANGE BOLT M6X1.0X14DX12L	4	
131	0110100040	FLANGE BOLT	4	
132	0110100020	FLANGE BOLT	1	
133	0016508120	BOLT	2	
134	0110060030	FLANGE BOLT M6X1.0X14DX14L	2	
135	0023808000	FLANGE NUT	2	
136	2462070111	CRANKSHAFT COMPLETE	1	
137	2462250100	CONNECTING ROD ASS'Y INC. 138-139	1	
138	2462300113	CONNECTING ROD BOLT	2	
139	2462310113	OIL SCRAPER	1	
140	2462330103	PISTON PIN	1	
141	24723401H3	PISTON (FOR STANDARD)	1	
142	24723402H3	PISTON (OVERSIZE 0.25MM)	1	
143	24723403H3	PISTON (OVERSIZE 0.50MM)	1	
144	2472350117	PISTON RING SET (FOR STANDARD)	1	
145	2472350217	PISTON RING SET(OVERSIZE.25MM)	1	
146	2472350317	PISTON RING SET(OVERSIZE.50MM)	1	
147	0565210020	CLIP	2	
148	0230350160	SPACER (T=0.6)	1	
149	0230350170	SPACER (T=0.8)	1	
150	0230350180	SPACER (T=1.0)	1	
151	2462410223	BALANCER SHAFT	1	
152	0021818000	NUT	1	
153	0031018000	WASHER	1	
154	0032018000	SPRING WASHER	1	
155	0053205401	WOODRUFF KEY	1	
156	2463170101	CAMSHAFT COMPLETE INC. 157	1	
157	0051904100	SPRING PIN	1	
158	2463620111	RELEASE LEVER COMPL.	1	
159	0230220050	SPACER (T=0.6)	1	
160	0230220060	SPACER (T=0.7)	1	
161	0230220070	SPACER (T=0.8)	1	
162	2463670103	RETURN SPRING	1	
163	2463330103	TAPPET	2	
164	2633340103	INTAKE VALVE	1	

SPARE PARTS LIST

PAGE 4

MODEL NO. G6100R

ITEM	PART NO.	DESCRIPTION	QTY	NOTE
165	2633350203	EXHAUST VALVE	1	
166	2463361103	VALVE SPRING	2	
167	2463371113	SPRING RETAINER	2	
168	2393500103	ROCKER SHAFT	1	
169	2463530111	PUSH ROD COMPLETE	2	
170	2463610110	ROCKER ARM ASS'Y INC. 171,172	2	
171	0149080021	ADJUSTING SCREW	2	
172	0170080090	NUT	2	
173	0200200010	WASHER	1	
174	2633534103	RETAINER PLATE	1	
175	2463612013	SPACER (ROCKER SHAFT)	1	
176	2463550103	COLLET-VALVE	4	
177	2463300101	INTAKE PIPE COMPLETE INC. 178	1	
178	0105060230	STUD	2	
179	2463600113	GASKET (INTAKE PIPE)	1	
180	0011308280	BOLT AND WASHER ASS'Y	3	
181	2463261500	AIR CLEANER ASS'Y INC. 182-184	1	
182	2343600308	AIR CLEANER GASKET	1	
183	2343260407	CLEANER ELEMENT SET	1	
184	2073269008	GROMMET	1	
185	0023806000	FLANGE NUT M6	2	
186	0011006120	BOLT & WASHER ASS'Y	1	
187	2463290103	INSULATOR	1	
188	2343590203	GASKET 2, INSULATOR	2	
189	3933500103	RUBBER PIPE, Intake	1	
190	2464500601	KNOB COMPLETE	1	
191	2464230121	GOVERNOR LEVER COMPL.	1	
192	2464220123	GOVERNOR SHAFT	1	
193	2464250313	GOVERNOR SPRING	1	
194	2344270101	GOVERNOR ROD	1	
195	2464280113	ROD SPRING	1	
196	0011406250	BOLT & WASHER ASS'Y	1	
197	0186060020	NUT M6X1.0X4.9H	1	
198	0031306000	CLIP	2	
199	0031108000	WASHER	1	
200	2464331003	SPEED CONTROL COMPL.	1	
201	0011008160	Bolt and Washer Ass'y	1	
202	0043105350	PAN HEAD SCREW	1	
203	0021705000	Nut M5	1	
204	2465121501	BLOWER HOUSING COMPLETE	1	
205	0732005000	MAKITA LABEL	1	
206	0110060010	Flange Bolt	4	
207	2465020130	RECOIL STARTER ASS'Y INC. 208-217	1	
208	2465012008	REEL	1	
209	2465012508	Alkatrészt G6100R	2	
210	2615011508	SPIRAL SPRING	1	
211	2465013008	FRICTION SPRING	1	
212	2275013508	Alkatrészt G6100R	2	
213	2465016008	RATCHET GUIDE	1	
214	2275015208	SET SCREW	1	
215	2265011308	STARTER ROPE	1	
216	2615010008	STARTER KNOB	1	
217	2465014708	STARTER PULLEY	1	
218	0110060010	Flange Bolt	4	

SPARE PARTS LIST

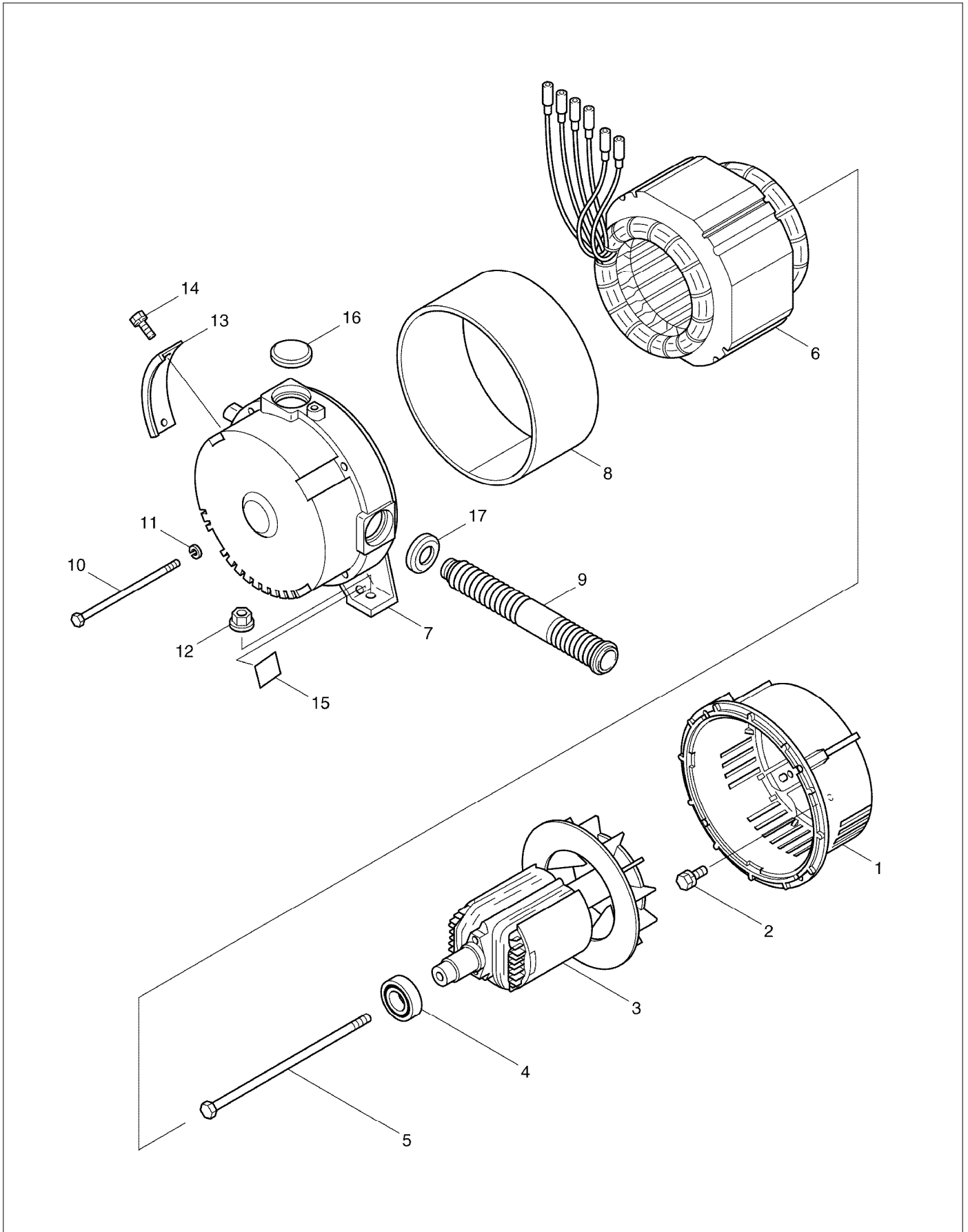
PAGE 5

MODEL NO. G6100R

ITEM	PART NO.	DESCRIPTION	QTY	NOTE
219	0016508120	BOLT	3	
220	2465270603	CYLINDER BAFFLE	1	
221	0110060010	Flange Bolt	2	
222	0016510160	BOLT	2	
223	2476231120	CARBURETOR ASS'Y	1	
		INC. 224-254		
224	2096235108	SCREW ASS'Y	2	
225	2136253508	THROTTLE VALVE (#180)	1	
226	2376245108	SCREW	2	
227	2346252508	CHOKE VALVE	1	
228	2096244508	SPRING	1	
229	2096230508	PILOT SCREW	1	
230	2146242008	PILOT JET(#42.5)	1	
231	2466253108	THROTTLE SHAFT ASS'Y	1	
232	2396256008	RING	1	
233	2346252108	CHOKE LEVER	1	
234	2066254008	PACKING	1	
235	2346250608	FLOAT ASS'Y	1	
236	2466244108	MAIN NOZZLE	1	
237	2486240008	MAIN JET(#105)	1	
238	2076234508	WASHER	1	
239	2246254408	BOLT	1	
240	2266255008	RING	1	
241	2246231218	NEEDLE VALVE	1	
242	2146251508	FLOAT PIN	1	
243	2466242508	PIPE	1	
244	2246255208	FLOAT CHAMBER BODY	1	
245	2466243508	ADJUST SCREW	1	
246	1066239218	SEAL	1	
247	2476255008	CAP	1	
248	2276245008	BOLT	1	
249	2096244508	SPRING	1	
250	2246256918	CLIP	1	
251	2366268008	SEAL	1	
252	1566235108	PACKING	1	
253	2476241008	AIR JET	1	
254	2466241008	AIR JET	1	
255	2467720201	FLYWHEEL COMPL.	1	
256	2467820121	IGNITION COIL COMPLETE	1	
257	0011406300	BOLT AND WASHER ASS'Y	2	
258	2277500103	GROMMET	1	
259	0650140580	SPARK PLUG (B6ES)	1	
260	0655000140	SPARK PLUG CAP	1	
261	0659000010	PLUG TERMINAL	1	
262	0566000250	CLAMP	3	
263	0110060010	Flange Bolt	1	
264	KS31101201	OIL SENSOR	1	
265	2467311201	WIRE 12 COMPL.	1	
266	0110060010	Flange Bolt	1	
267	2461750103	SHELTER PLATE	1	
268	0152060050	TAPPING BOLT	1	
A01	2279030110	TOOL KIT	1	

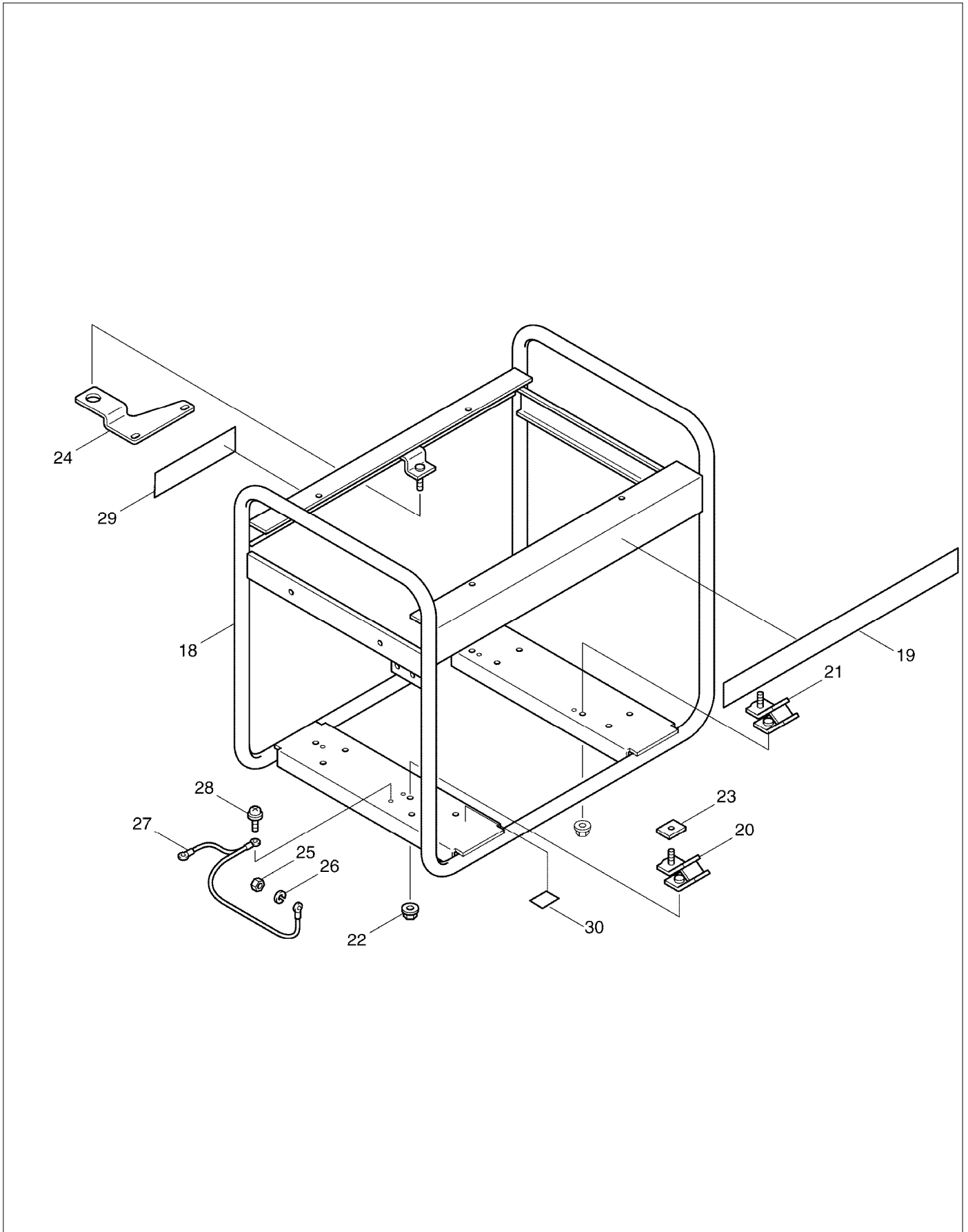
SERVICE DRAWING

MODEL NO. G6100R



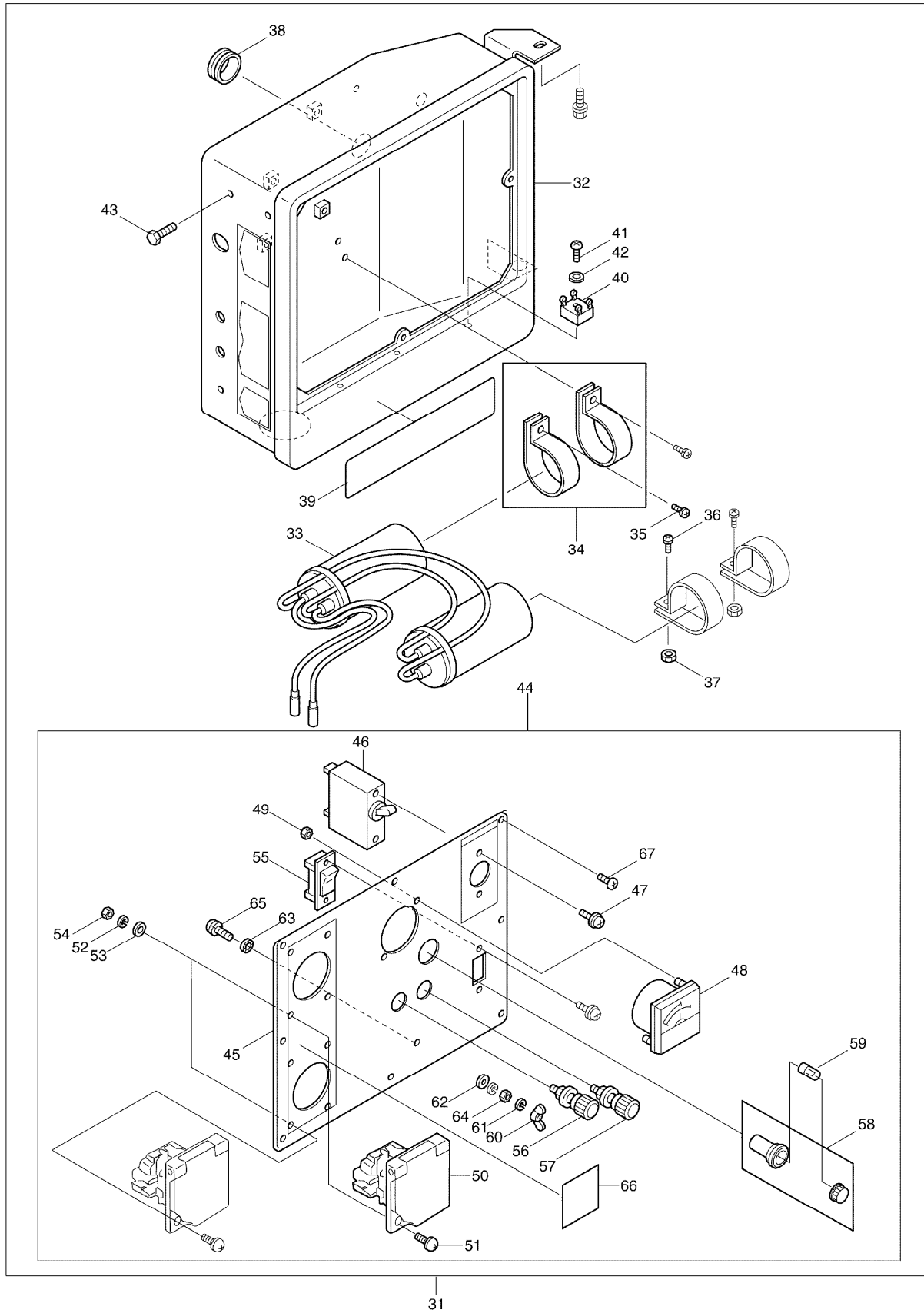
SERVICE DRAWING

MODEL NO. G6100R



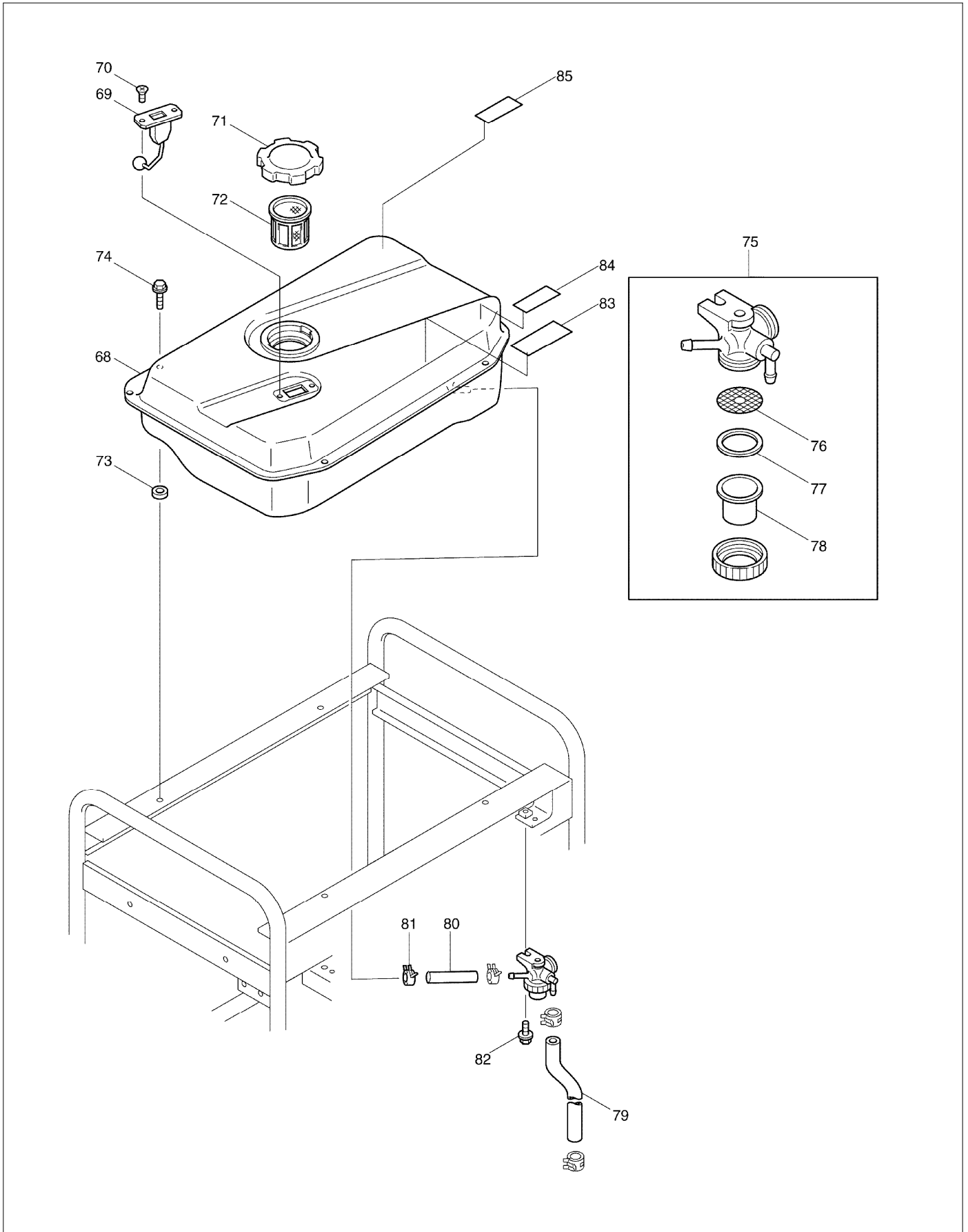
SERVICE DRAWING

MODEL NO. G6100R



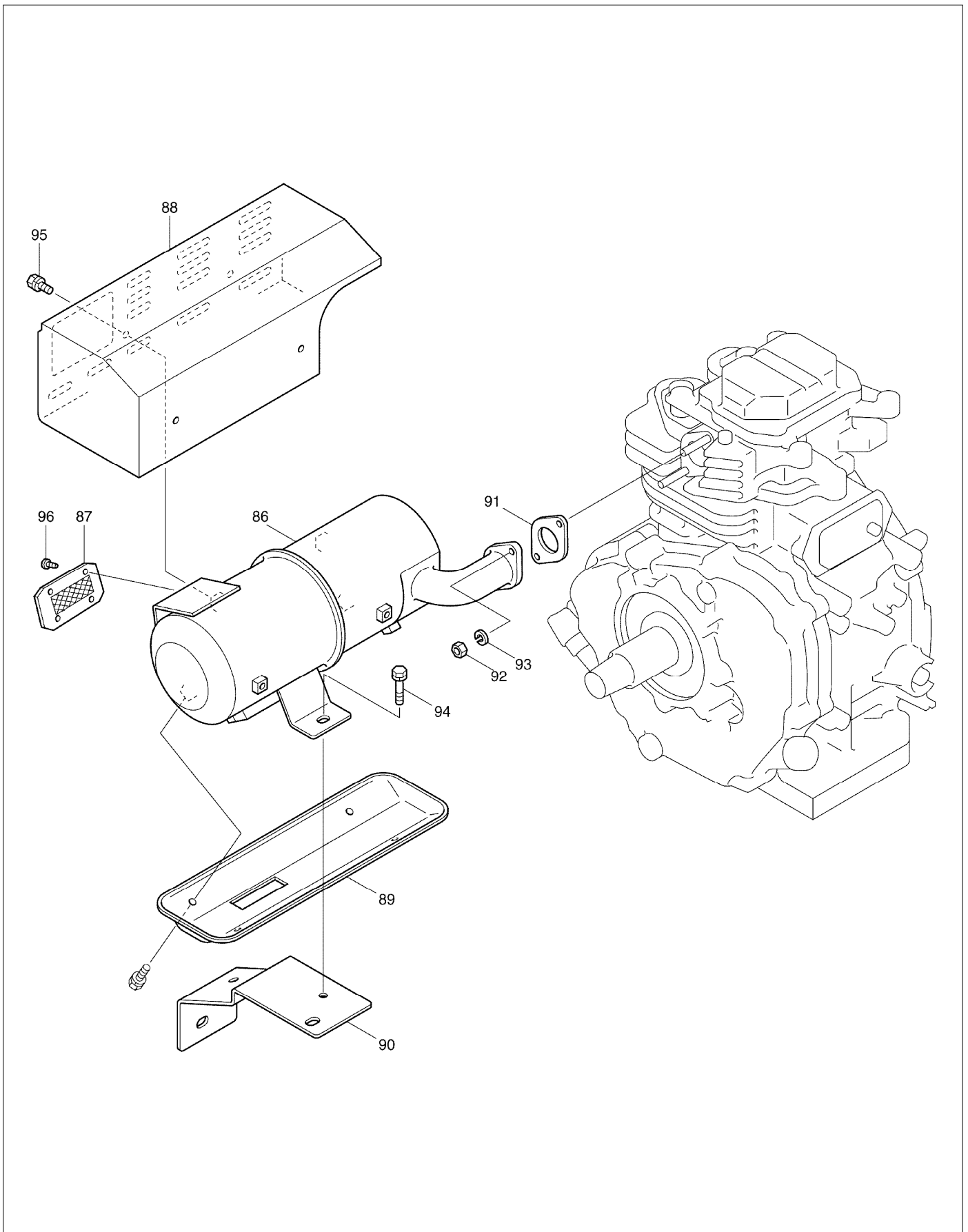
SERVICE DRAWING

MODEL NO. G6100R



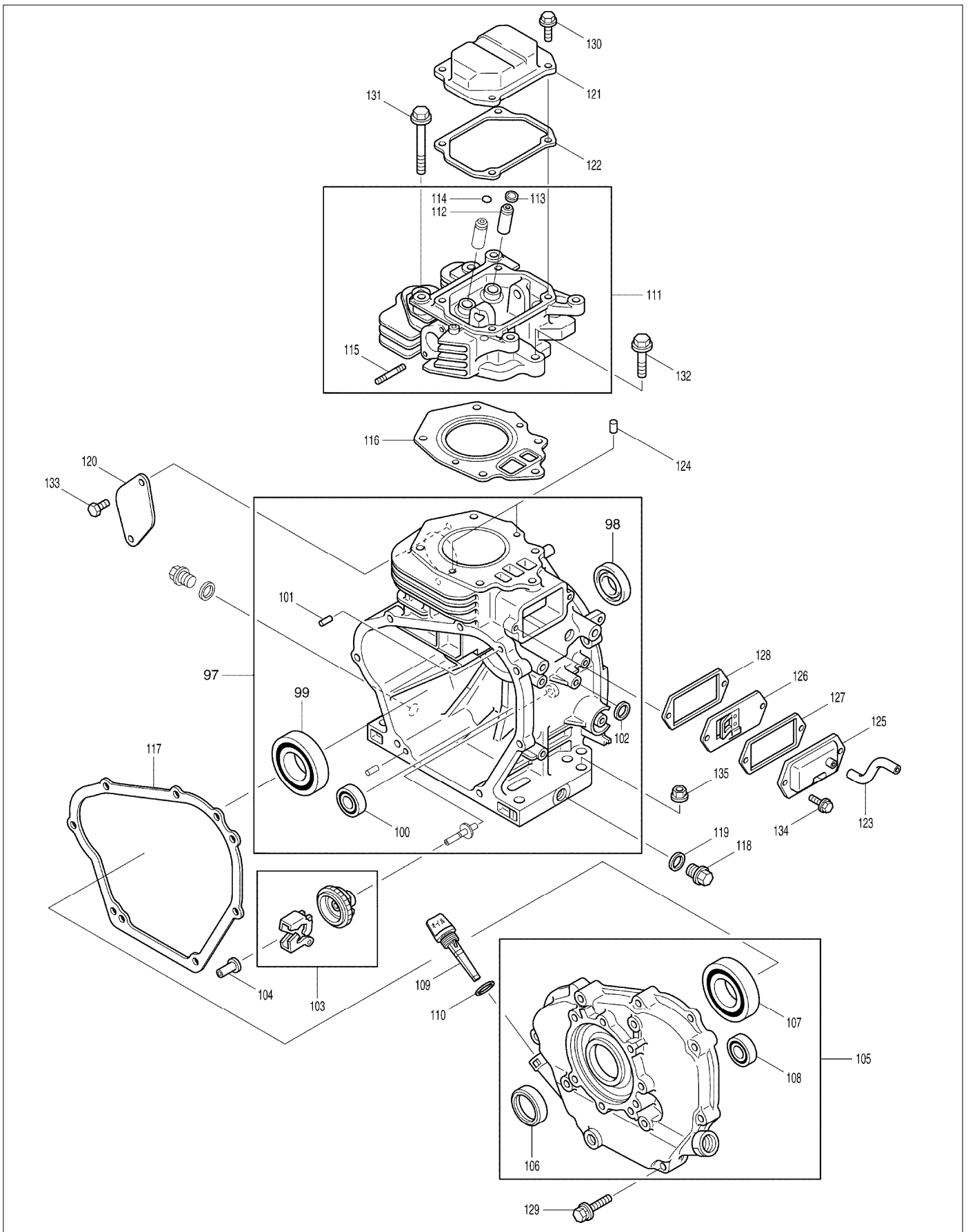
SERVICE DRAWING

MODEL NO. G6100R



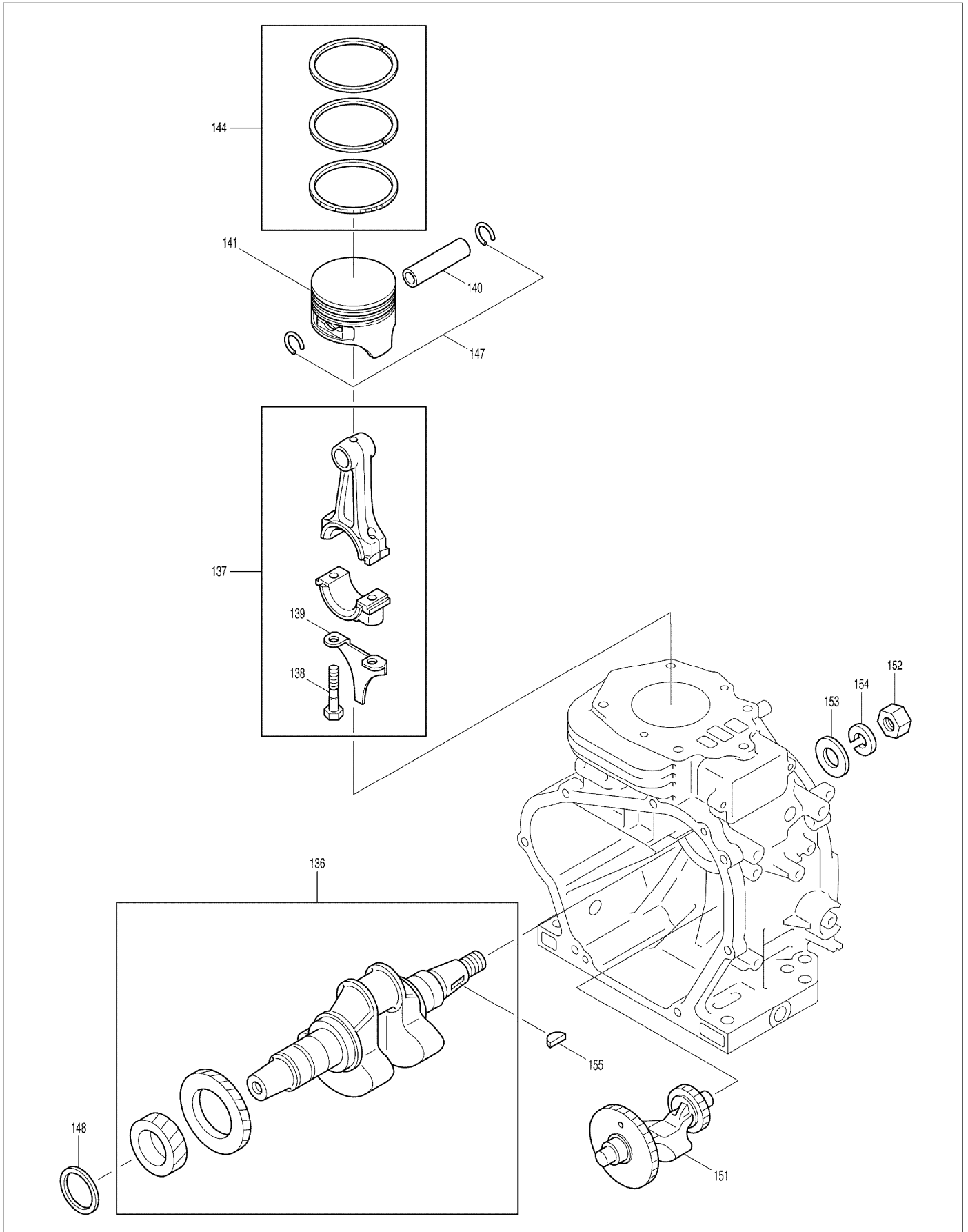
SERVICE DRAWING

MODEL NO. G6100R



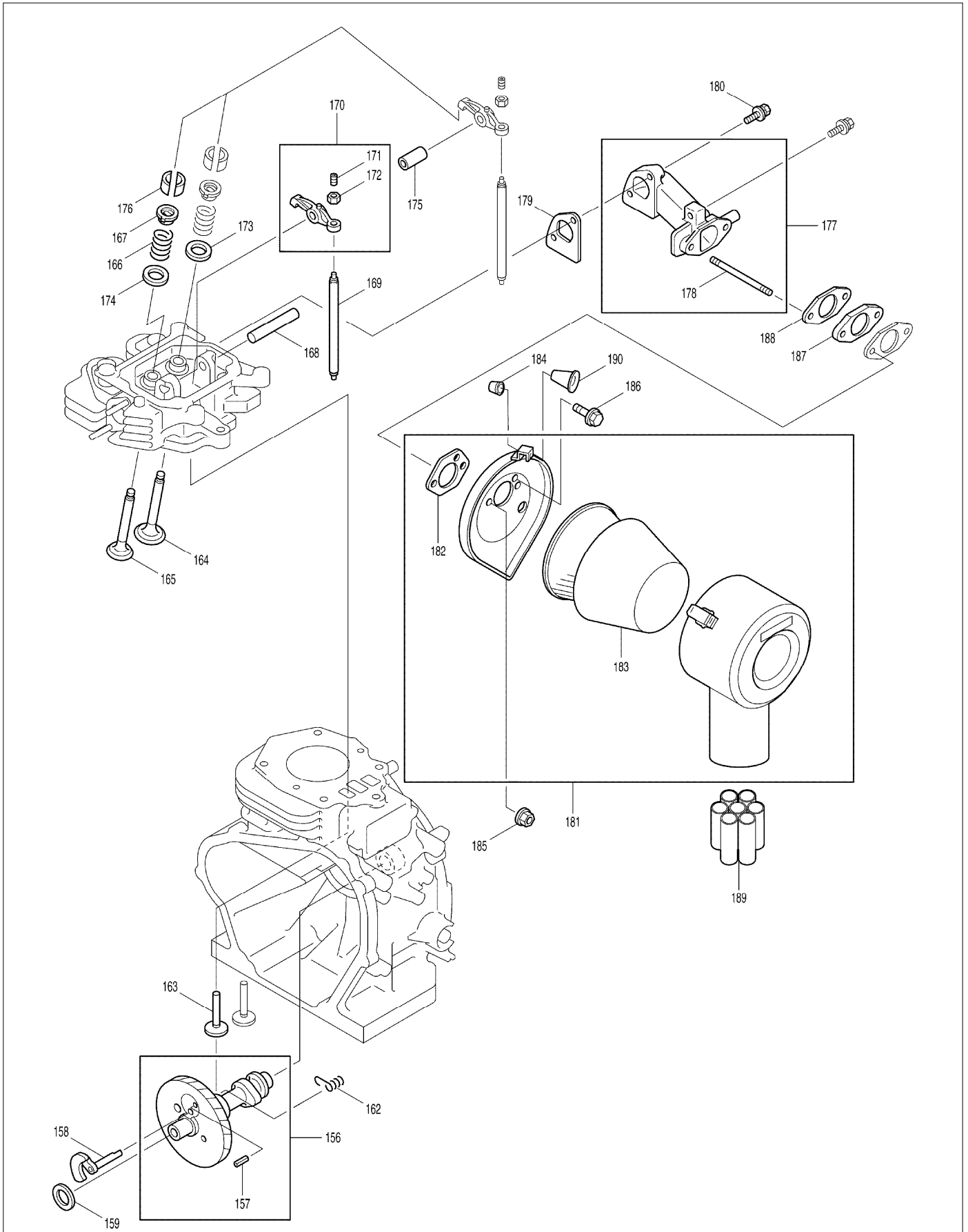
SERVICE DRAWING

MODEL NO. G6100R



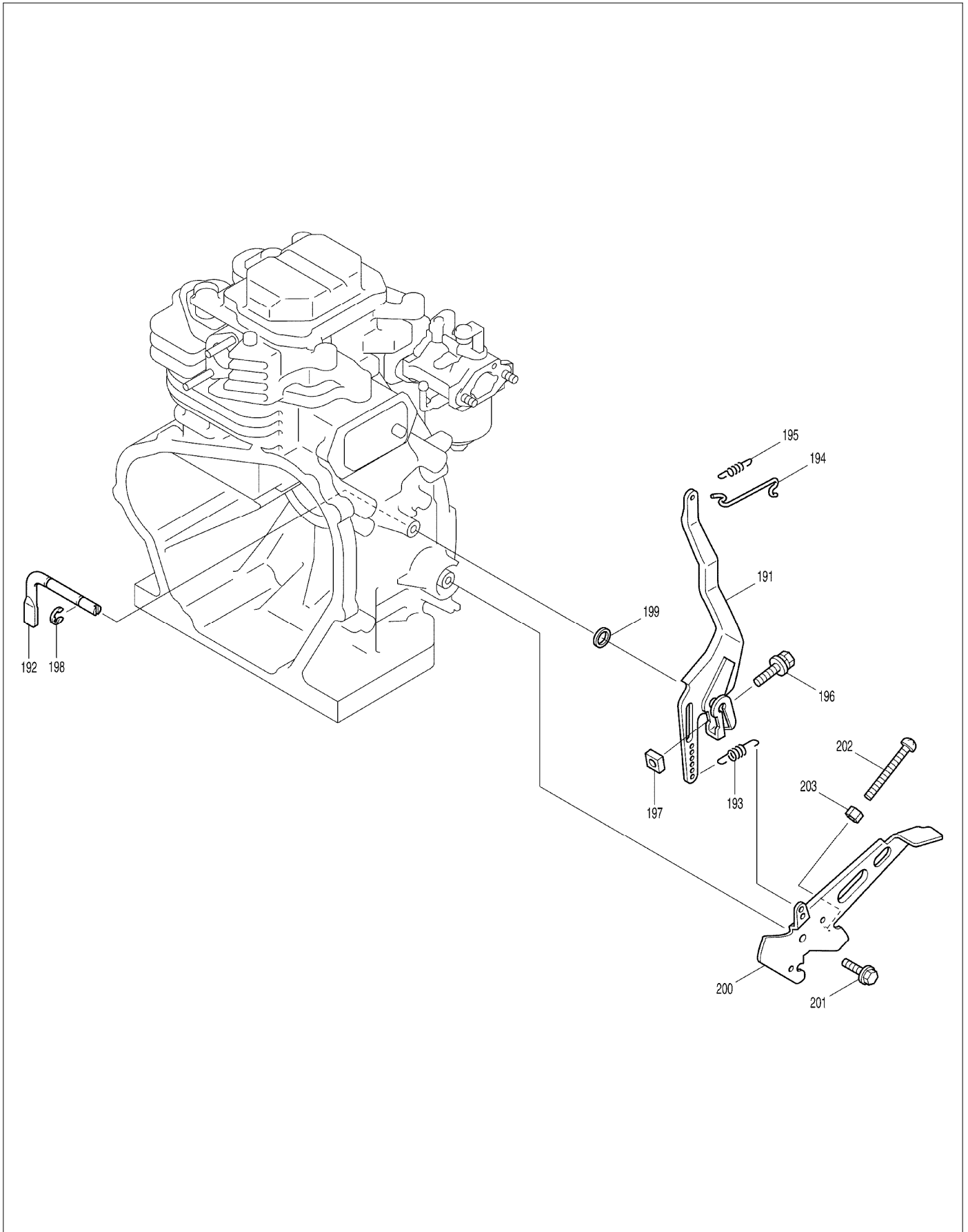
SERVICE DRAWING

MODEL NO. G6100R



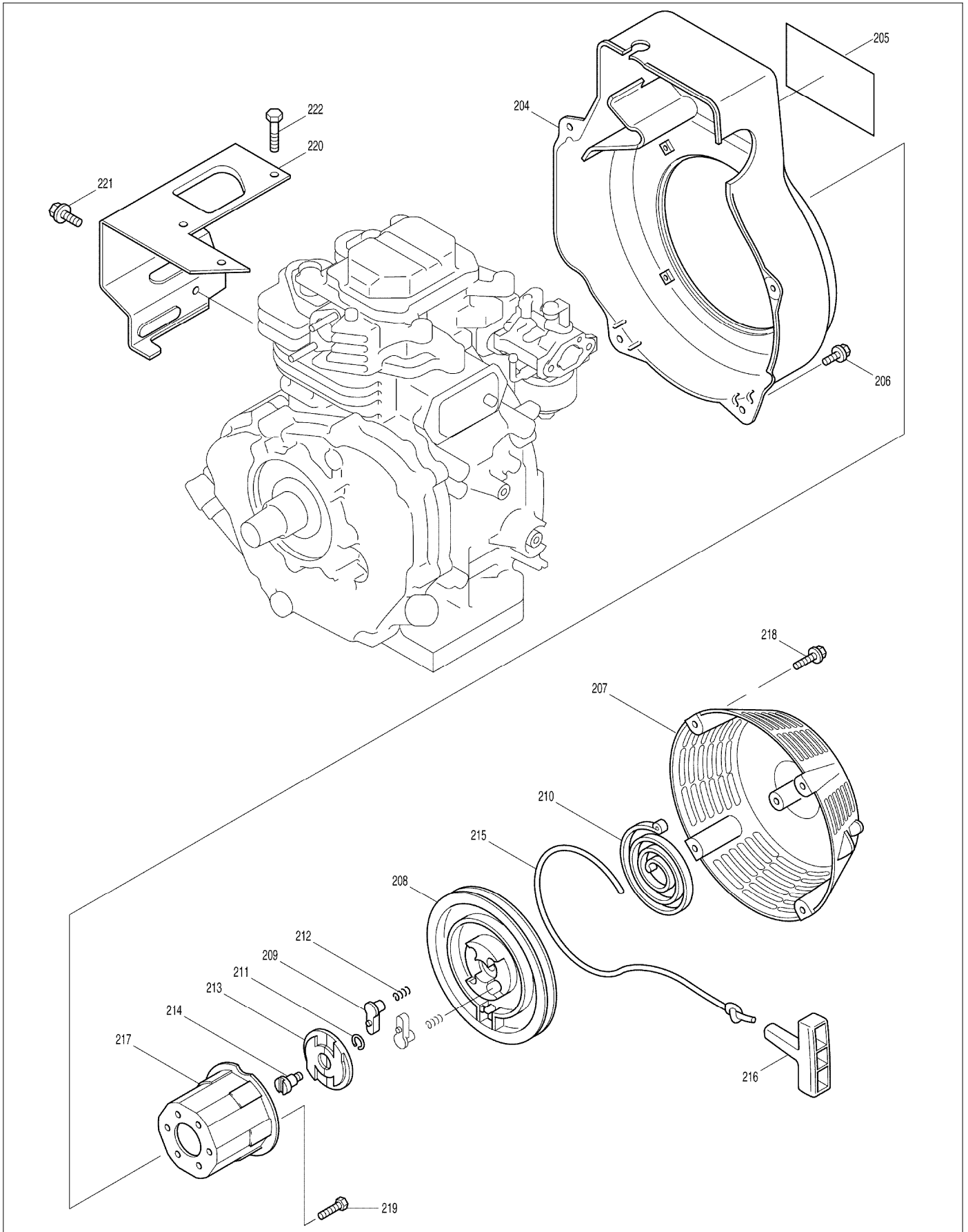
SERVICE DRAWING

MODEL NO. G6100R



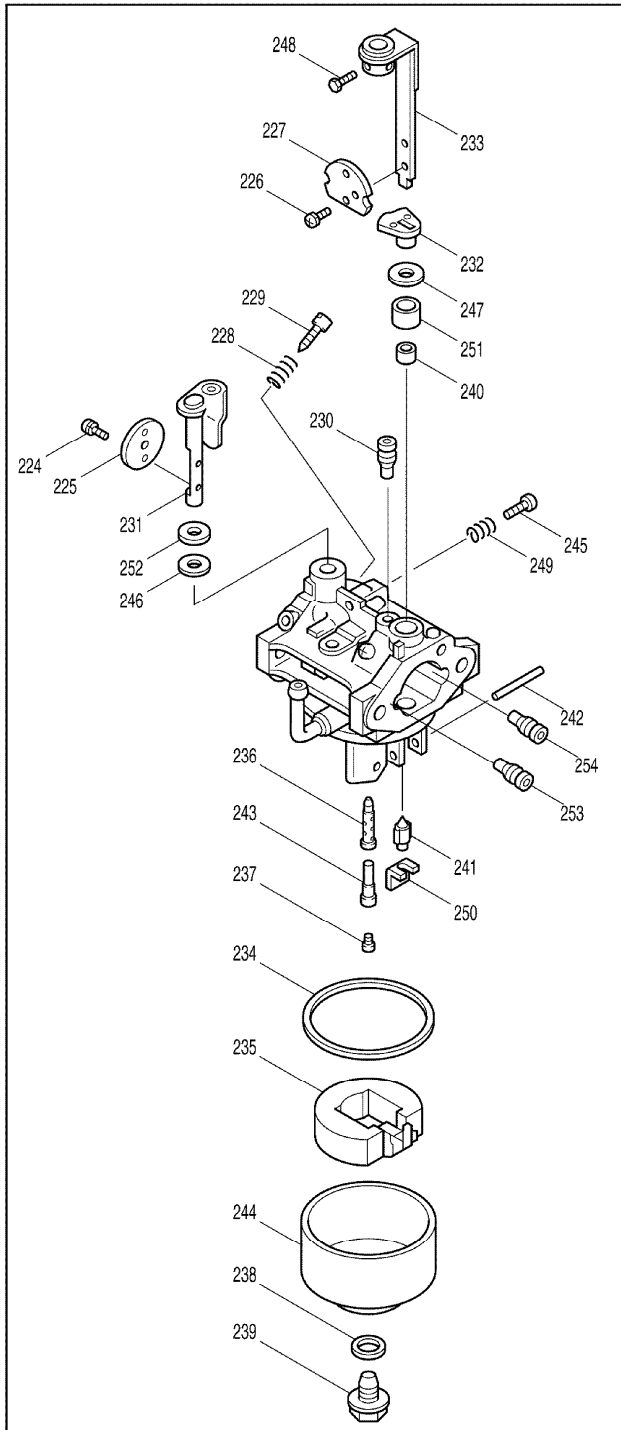
SERVICE DRAWING

MODEL NO. G6100R

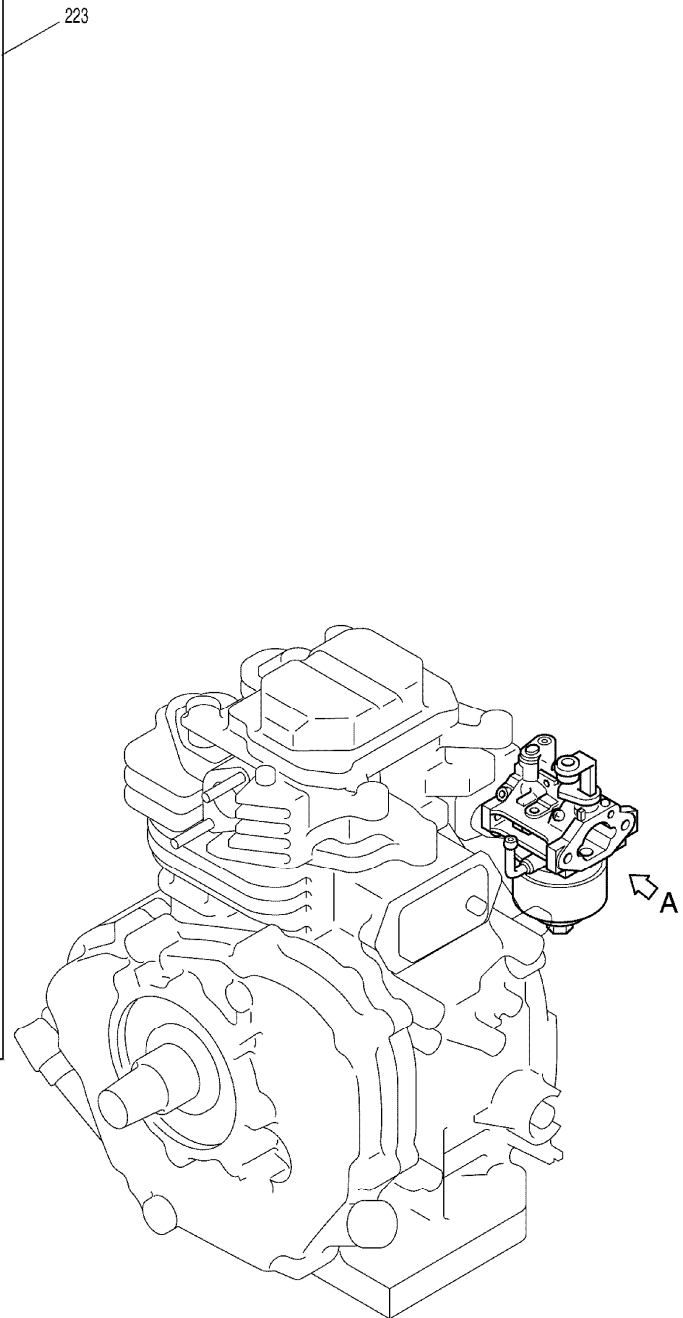


SERVICE DRAWING

MODEL NO. G6100R

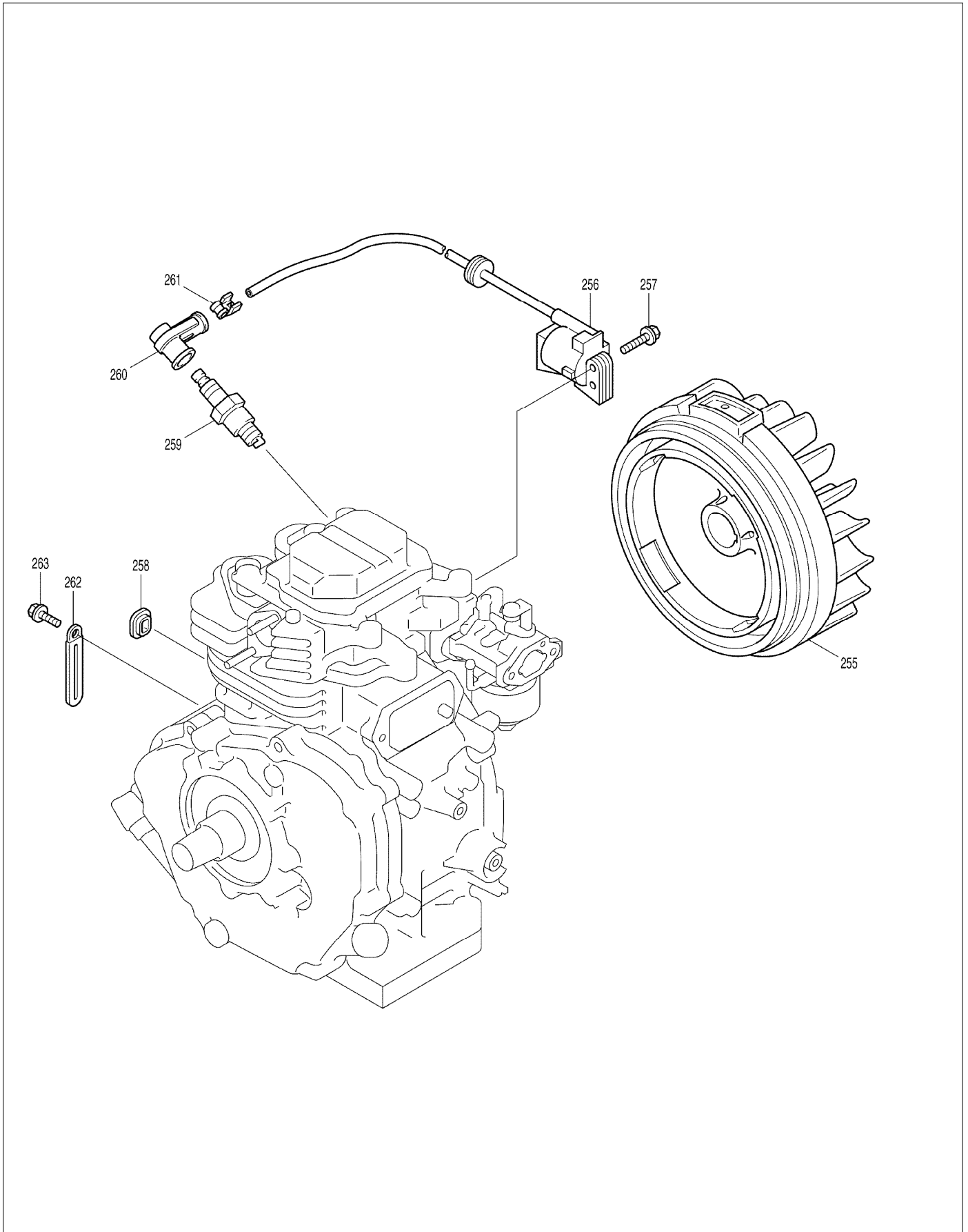


DETAIL "A"



SERVICE DRAWING

MODEL NO. G6100R



SERVICE DRAWING

MODEL NO. G6100R

