

SPARE PARTS LIST

PAGE 1

MODEL NO. G5500R

ITEM	PART NO.	DESCRIPTION	QTY	NOTE
001	3885438103	SUPPORT RING	1	
002	3905166508	STATOR FOR 50HZ/220V,110V/220V	1	
003	0011406250	BOLT & WASHER ASS'Y	4	
004	3905400101	REAR COVER	1	
005	3885500113	END COVER	1	
006	3905939508	LABEL G5500R FOR 50HZ/220V	1	
007	0110060010	Flange Bolt	4	
008	3855751008	BUSHING	1	
009	0566000170	CLAMP	1	
010	0023808000	FLANGE NUT	2	
011	0031006000	WASHER	4	
012	0032006000	SPRING WASHER	4	
013	3865998208	BOLT	4	
014	0152050010	TAPPING SCREW	4	
015	3885510103	FRONT PROTECTOR	1	
016	3905053518	Rotor Complete INC. 017	1	
017	3545820408	BALL BEARING 6205-2RS	1	
018	3905998608	WASHER	1	
019	0032010000	SPRING WASHER	1	
020	3675800808	THROUGH BOLT	1	
021	0011308200	BOLT & WASHER ASS'Y	4	
022	3905410113	FRONT COVER	1	
023	2276610103	PLUG COVER	1	
024	0110060220	FLANGE BOLT	2	
025	0430430015	FUEL TANK CAP COMPLETE	1	
026	0641360010	FUEL FILTER	1	
027	0145050040	SCREW	2	
028	0648000300	FUEL GAUGE COMPLETE	1	
029	2246085201	FUEL TANK COMPLETE	1	
030	3895939108	LABEL (STARTING)	1	
031	3895939208	LABEL (STOPPING)	1	
032	3779250003	CAUTION LABEL	1	
033	0110060220	FLANGE BOLT	2	
034	3913900013	RUBBER (TANK)	4	
035	0561170010	HOSE CLAMP 17	1	
036	0851110000	RUBBER PIPE 11.5X17.5X230	1	
037	0561170010	HOSE CLAMP 17	1	
038	0110060080	FLANGE BOLT M6X12L	2	
039	3909100413	LABEL G5500R	1	
040	3905862208	SIDE PLATE COMPLETE	1	
041	3905609708	PIPE FRAME COMPLETE	1	
042	3905441211	STOPPER PLATE COMPLETE	1	
043	3773700011	RUBBER MOUNT UNIT(GENERATOR)	2	
044	0011406160	BOLT & WASHER ASS'Y	2	
045	3763910001	SCREW & WASHER ASS'Y	1	
046	3905441601	EARTH CORD COMPLETE	1	
047	0023808000	FLANGE NUT	2	
048	0021904000	NUT	1	
049	0023808000	FLANGE NUT	4	
050	31C3500201	RUBBER MOUNT UNIT	2	
051	31C3500201	RUBBER MOUNT UNIT	2	
052	3555750908	GROMMET	1	
053	3894755208	GROMMET	1	
054	3895999008	NUT	1	
055	3904002408	CONTROL BOX ASS'Y INC.052-054,056,057,071-074 INC.076-079,082,091,106	1	

SPARE PARTS LIST

MODEL NO. G5500R

ITEM	PART NO.	DESCRIPTION	QTY	NOTE
056	3534580408	DIODE STACK ASS'Y	1	
057	3535994908	SCREW & WASHER ASS'Y	1	
058	0642000240	BANJO BOLT	1	
059	0642000250	FIBER PACKING	1	
060	0521070042	BANJO	1	
061	0642000250	FIBER PACKING	1	
062	0642000330	O-RING	1	
063	0533090020	JOINT NUT	1	
064	0561110020	HOSE CLAMP 11D	1	
065	0851060000	RUBBER PIPE (6DX12D)	1	
066	0561110020	HOSE CLAMP 11D	1	
067	0642002311	FUEL STRAINER ASS'Y INC.058,059,061,062,068-070 INC. E30	1	
068	0642000220	FILTER	1	
069	0642000230	PACKING	1	
070	0642001910	CUP	1	
071	3904755308	CONDENSER COMPLETE	1	
072	0043504100	SCREW & WASHER ASS'Y	1	
073	3888600101	CONDENSER BRACKET	1	
074	3895998908	SCREW & WASHER ASS'Y	1	
075	3864565208	BREAKER (20A)	1	
076	3804753108	CONDENSER BRACKET	1	FJ0005
077	3904755308	CONDENSER COMPLETE	1	
078	0043504100	SCREW & WASHER ASS'Y	2	
079	3888600101	CONDENSER BRACKET	1	
080	0021703000	NUT(M5)	8	
081	0031003000	WASHER	8	
082	3804753108	CONDENSER BRACKET	1	FJ0005
083	3534572008	AC RECEPTACLE (250V-20A)	1	
084	3564990708	SCREW	1	
085	3725995008	LOCK WASHER	1	
086	0021703000	NUT(M5)	2	
087	3555750908	GROMMET	1	
088	3914790201	AC VOLT METER (200V CLASS)	1	
089	0043503060	SCREW & WASHER ASS'Y	2	
090	3895751508	GROMMET	1	
091	3534990408	TAPPING SCREW(M4X10MM)	8	
092	3205985508	FUSE HOLDER	1	
093	0080210300	FUSE (10A)	1	
094	3634570108	TERMINAL BOLT (RED)	1	
095	3634570008	TERMINAL BOLT (BLACK)	1	
096	3634909108	LABEL (DC BATTERY CHARGE ONLY)	1	
097	3794994308	SCREW & WASHER ASS'Y	2	
098	3534572108	AC PLUG (250V-20A)	1	
099	3534990308	WASHER	1	
100	3320005008	SPRING WASHER	1	
101	3534990208	NUT	1	
102	3320005008	SPRING WASHER	1	
103	3534990108	WING NUT	1	
104	0043603120	SCREW & WASHER ASS'Y	4	
105	3584062108	AC RECEPTACLE F/GERMAN TYPE	1	
106	3904112908	CONTROL PANEL A ASS'Y INC.075,080,081,083-090 092-0978,099-105,107,108	1	
107	0043603120	SCREW & WASHER ASS'Y	4	
108	3584062108	AC RECEPTACLE F/GERMAN TYPE	1	
109	0650140270	SPARK PLUG (NGK BPR4HS)	1	

SPARE PARTS LIST

PAGE 3

MODEL NO. G5500R

ITEM	PART NO.	DESCRIPTION	QTY	NOTE
110	0023810000	FLANGE NUT	8	
111	2241340103	CYLINDER HEAD	1	
112	2241510111	GASKET	1	
113	2241420203	VALVE GUIDE	2	
114	0105100280	STUD	4	
115	0105100270	STUD	4	
116	2247550103	GROMMET	1	
117	0440350090	OIL SEAL (TB 35X48X8MM)	1	
118	0600350010	Ball bearing 6207C3	1	
119	0105080290	MUFFLER STUD	2	
120	2243510111	GASKET, EXHAUST	1	
121	0180080010	FLANGE NUT	2	
122	0022806000	NUT	2	
123	0032006000	SPRING WASHER	2	
124	0031006000	WASHER	2	
125	2083600303	GASKET 2, INSULATOR	1	
126	2243290103	INSULATOR	1	
127	2243520213	GASKET,INSULATOR(T=0.8)	1	
128	0105060200	STUD	2	
129	2241540103	GASKET	1	
130	2241440101	BREATHER PLATE COMPLETE	1	
131	2241530113	GASKET	1	
132	2241430111	TAPPET COVER COMPLETE	1	
133	0851120000	RUBBER PIPE(12.5X16X100MM)	1	
134	0110060030	FLANGE BOLT M6X1.0X14DX14L	2	
135	0105080031	STUD	1	
136	0401140030	PLUG	2	
137	0211140020	GASKET	2	
138	2241020111	CRANKCASE COMPLETE INC. 113-115,117-119, INC. 128,135,143-145	1	
139	0023810000	FLANGE NUT	4	
140	2241520103	GASKET,MAIN BEARING COVER	1	
141	2246360101	OIL GAUGE COMPLETE INC. 142	1	
142	0213200050	GASKET	1	
143	0440350090	OIL SEAL (TB 35X48X8MM)	1	
144	0600350010	Ball bearing 6207C3	1	
145	0310080100	DOWEL PIN	2	
146	2241100401	MAIN BEARING COVER COMPLETE INC.117,118,143,144	1	
147	0011508350	BOLT & WASHER ASS'Y	8	
148	0037006000	ALUMINIUM GASKET	1	
149	0016506120	BOLT	1	
150	2243350103	EXHAUST VALVE	1	
151	2083360113	VALVE SPRING	1	
152	2083370103	SPRING RETAINER	1	
153	2173380103	RETAINER LOCK	1	
154	2243330103	TAPPET	1	
155	2243190101	CAMSHAFT,COMPL. INC.157	1	
156	2244190103	GOVERNOR SLEEVE	1	
157	0309400081	LOCK PIN	1	
158	2243330103	TAPPET	1	
159	2173380103	RETAINER LOCK	1	
160	2083370103	SPRING RETAINER	1	
161	2083360113	VALVE SPRING	1	
162	2243340103	INTAKE VALVE	1	

SPARE PARTS LIST

PAGE 4

MODEL NO. G5500R

ITEM	PART NO.	DESCRIPTION	QTY	NOTE
163	0053204401	WOODRUFF KEY	1	
164	0031018000	WASHER	1	
165	0032018000	SPRING WASHER	1	
166	0021818000	NUT	1	
167	0565220011	CLIP	1	
168	2242350117	PISTON RING SET	1	
169	2242340123	PISTON	1	
170	2242330103	PISTON PIN	1	
171	0565220011	CLIP	1	
172	2242250110	Connecting rod ass'y	1	
		INC.176-179		
173	2242070201	CRANKSHAFT COMPLETE	1	
174	2242510313	SPACER	1	
175	0230350060	SPACER(T=1.20)	1	
176	2242250110	Connecting rod ass'y	1	
		INC.172,177-179		
177	2242310203	OIL SCRAPER	1	
178	2242320113	LOCK WASHER	1	
179	2172300113	CONNECTING ROD BOLT	2	
180	0043504080	SCREW & WASHER ASS'Y	2	
181	2244210113	GOVERNOR YOKE	1	
182	2244220103	GOVERNOR SHAFT	1	
183	0016506550	BOLT	1	
184	2204800113	CONTROL SPRING	1	
185	0217080010	FRICTION WASHER	1	
186	2244330701	SPEED CONTROL COMPLETE	1	
187	0200080010	WASHER	1	
188	2074350511	STOP PLATE	1	
189	0031108000	WASHER	1	
190	0170080020	NUT	1	
191	2144280103	ROD SPRING	1	
192	2244270111	GOVERNOR ROD	1	
193	2244230611	GOVERNOR LEVER COMPLETE	1	
194	0186060020	NUT M6X1.0X4.9H	1	
195	2244250113	GOVERNOR SPRING	1	
196	0011406250	BOLT & WASHER ASS'Y	1	
197	0732004270	LABEL (MAKITA)	1	
198	0110060010	Flange Bolt	4	
199	2245150206	BLOWER HOUSING COMPLETE	1	
200	0732003550	LABEL (STOP SWITCH)	1	
201	0669900407	SWITCH SET 120MM	1	
		INC. 202-1		
202	0150040090	TAPPING SCREW 4X10	2	
203	2147320101	WIRE 1 COMPLETE	1	
204	0566000220	CLAMP	1	
205	2245261101	HEAD COVER,COMPLETE	1	
206	0031010000	WASHER M10	4	
207	2245270103	CYLINDER BAFFLE	1	
208	0110060010	Flange Bolt	1	
209	2243422101	MUFFLER COVER COMPLETE	1	
210	0110060010	Flange Bolt	4	
211	2243012601	MUFFLER COMPLETE	1	
212	0011108160	BOLT AND WASHER ASS'Y	1	
213	2243502111	MUFFLER BRACKET	1	
214	0011108160	BOLT AND WASHER ASS'Y	1	
215	2243503001	MUFFLER SUPPORT	1	
216	0011108160	BOLT AND WASHER ASS'Y	1	
217	2246257108	CHOKE SHAFT ASS'Y	1	

SPARE PARTS LIST

PAGE 5

MODEL NO. G5500R

ITEM	PART NO.	DESCRIPTION	QTY	NOTE
218	1306225008	SCREW ASS'Y	2	
219	2246252508	CHOKE VALVE	1	
220	2246233600	Carburetor Ass'y INC.217-219,221-238	1	
221	2246257208	Pillangó-szelep tengely G5500R	1	
222	2246253508	THROTTLE VALVE(#135)	1	
223	1306225008	SCREW ASS'Y	2	
224	2246242008	PILOT JET(#57.5)	1	
225	2066244608	SPRING	1	
226	2136243508	PILOT SCREW	1	
227	2066244608	SPRING	1	
228	2246245208	SCREW	1	
229	2246231218	NEEDLE VALVE	1	
230	2396255008	CLIP	1	
231	1096240408	MAIN JET(#112.5)	1	
232	2246255508	MAIN NOZZLE	1	
233	2066254008	PACKING	1	
234	2146251508	FLOAT PIN	1	
235	2246250708	FLOAT ASS'Y	1	
236	2246255208	FLOAT CHAMBER BODY	1	
237	2076234508	WASHER	1	
238	2246254308	BOLT	1	
239	2073260618	Légszuro G5500R	1	
240	0241020010	GROMMET	1	
241	2073272108	PACKING	1	
242	0011006160	BOLT & WASHER ASS'Y	2	
243	2243280210	AIR CLEANER ASS'Y INC.239,241	1	
244	3933500103	RUBBER PIPE, Intake	1	
245	2247225001	KTR UNIT	1	
246	0566000250	CLAMP	1	
247	0110060050	FLANGE BOLT	1	
248	0566000250	CLAMP	1	
249	0043506200	SCREW & WASHER ASS'Y	1	
250	0031006000	WASHER	1	
251	0655000110	SPARK PLUG CAP	1	
252	0043506200	SCREW & WASHER ASS'Y	1	
253	0031006000	WASHER	1	
254	0241090050	GROMMET	1	
255	2247220511	IGNITION COIL UNIT COMPLETE	1	
256	0043506250	SCREW AND WASHER ASS'Y	2	
257	2247013508	Exciter Coil	1	
258	2247013508	Exciter Coil	1	
259	0043504120	SCREW AND WASHER ASS'Y	2	
260	2247015008	PULSER COIL	1	
261	2057820101	CLAMP,COMPL.	1	
262	0110060020	FLANGE BOLT M6X1.0X14DX12L	1	
263	2247700201	WIRE CLAMP COMPLETE	1	
264	0110060010	Flange Bolt	4	
265	2245010210	RECOIL STARTER ASS'Y INC. 266-2,267,268,269-1,270-1 INC. 271-1,272-1,273-1,300,301	1	
266	2465011508	SPIRAL SPRING	1	
267	2065010108	HANDLE	1	
268	2075011008	STARTER ROPE	1	
269	2465012008	REEL	1	
270	2465012508	Alkatrész G6100R	2	
271	2465013008	FRICITION SPRING	1	

SPARE PARTS LIST

MODEL NO. G5500R

ITEM	PART NO.	DESCRIPTION	QTY	NOTE
272	2275013508	Alkatrész G6100R	2	
273	2465016008	RATCHET GUIDE	1	
274	2245015508	THRUST WASHER B	1	
275	2095015008	THRUST WASHER	1	
276	1295015508	SPRING WASHER	1	
277	1495015208	NUT	1	
278	0016508120	BOLT	3	
279	2245014508	STARTING PULLEY	1	
280	2247630203	OIL GUIDE PLATE	1	
281	0011308160	BOLT & WASHER ASS'Y	2	
282	0566000170	CLAMP	1	
283	2247606403	JOINT	1	
284	0213200050	GASKET	1	
285	0566000170	CLAMP	2	
286	0016506300	BOLT	2	
287	0200080050	WASHER	2	
288	0230060180	SPACER	2	
289	2247710401	OIL SENSOR BRACKET	1	
290	0110060020	FLANGE BOLT M6X1.0X14DX12L	1	
291	2247311301	WIRE 13 COMPLETE	1	
292	0021706000	NUT M6	2	
293	0032006000	SPRING WASHER	2	
294	31103101KS	Oil Level Sensor cpl.	1	Y03372
295	9642108020	GROMMET	2	
296	2247312101	WIRE 21 cpl.	1	
297	0566000260	CLAMP	2	
298	0011008160	Bolt and Washer Ass'y	1	
299	0110060010	Flange Bolt	1	
300	2275015208	SET SCREW	1	
301	2095015008	THRUST WASHER	1	
A01	2249030300	ACCESSORY TOOLS KIT	1	
E01	3904002208	CONTROL BOX ASS'Y	1	
E02	3904313708	CONTROL BOX	1	
E03	3904114308	CONTROL PANEL A ASS'Y	1	
E04	3904387008	CONTROL PANEL A	1	
E05	3594564008	NO-FUSE BREAKER (20AX2)	1	
E06	3594564108	NO-FUSE BREAKER (30A)	1	
E07	3534572518	AC RECEPTACLE(BS4343,110V-16A)	1	
E08	3534573108	AC RECEPTACLE 110V-32A	1	
E09	3534573308	AC RECEPTACLE (240V-32A)	1	
E10	3914561201	SWITCH ASS'Y	1	
E11	0021703000	NUT(M5)	2	
E12	0043503060	SCREW & WASHER ASS'Y	6	
E13	3874996608	SCREW & WASHER ASS'Y	4	
E14	0043605200	SCREW & WASHER ASS'Y	8	
E15	0031005000	Alátétlemez M5 RST/RBC/RBL	12	
E16	0021705000	Nut M5	12	
E17	3534903608	LABEL (DC OUT)	1	
E18	3904002608	CONTROL BOX ASS'Y	1	
E19	3904114508	CONTROL PANEL A ASS'Y	1	
E20	3904387108	CONTROL PANEL A	1	
E21	3534572718	AC RECEPTACLE 240V-16A	2	
E22	0021705000	Nut M5	8	
E23	3904004308	CONTROL BOX ASS'Y INC. E24,52-54,56,57,71-74 INC. 77-79	1	FJ0014
E24	3904116308	CONTROL PANEL ASS'Y INC. E25-E28,75,81,84-96	1	FJ0014

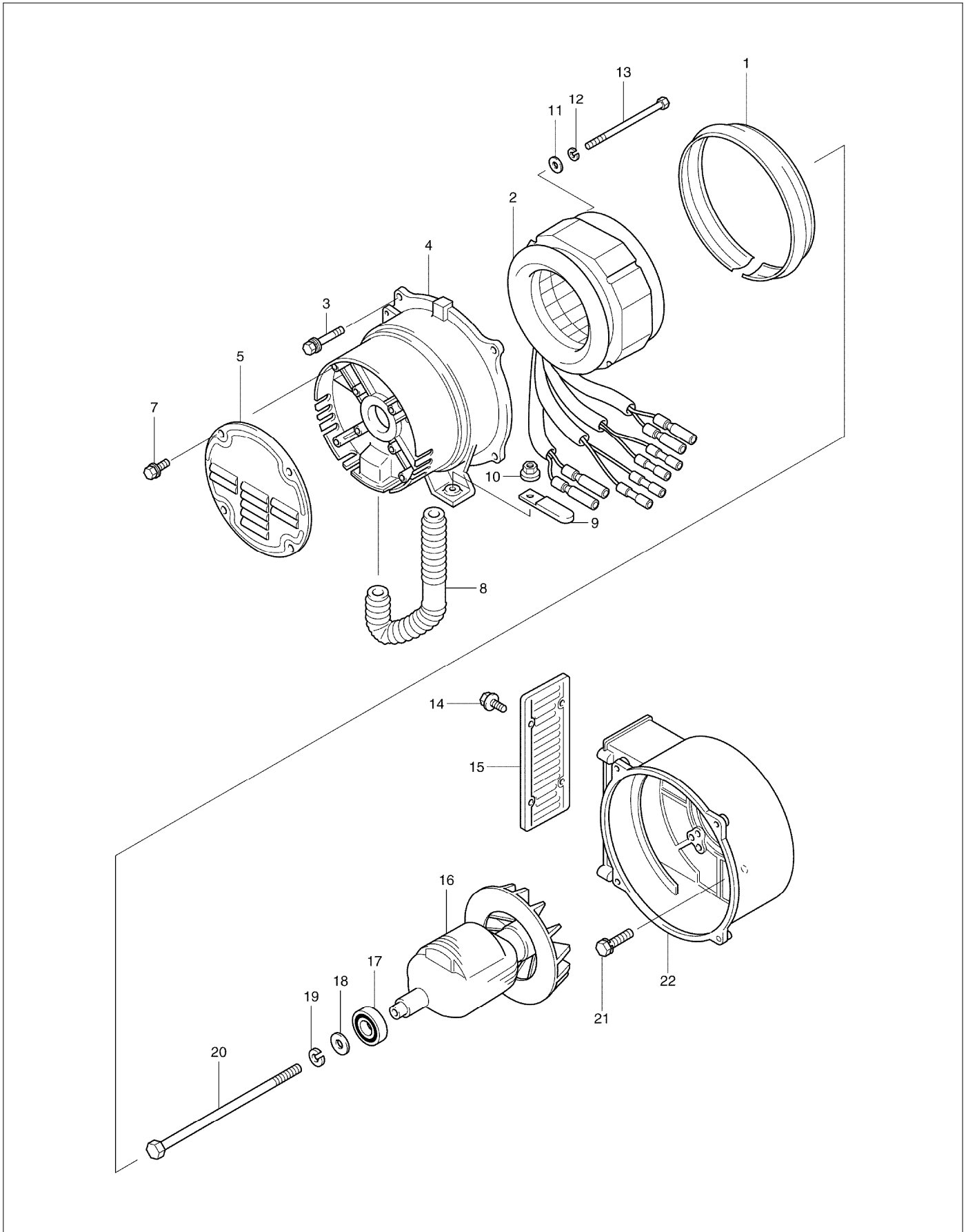
SPARE PARTS LIST

MODEL NO. G5500R

ITEM	PART NO.	DESCRIPTION	QTY	NOTE
		INC. 99-103		
E25	3534903508	LABEL	1	FJ0014
E26	3534571908	AC RECEPTACLE	1	FJ0014
E27	3534571908	AC RECEPTACLE	1	FJ0014
E28	3534571908	AC RECEPTACLE	1	FJ0014
E29	3644994108	SPRING WASHER	2	
E30	0642002410	LOCK NUT	1	
E31	3784573608	AC RECEPTACLE	1	
E32	3554570408	AC RECEPTACLE (250V-20A)	1	
E33	3554570608	AC PLUG (250V-20A)	1	

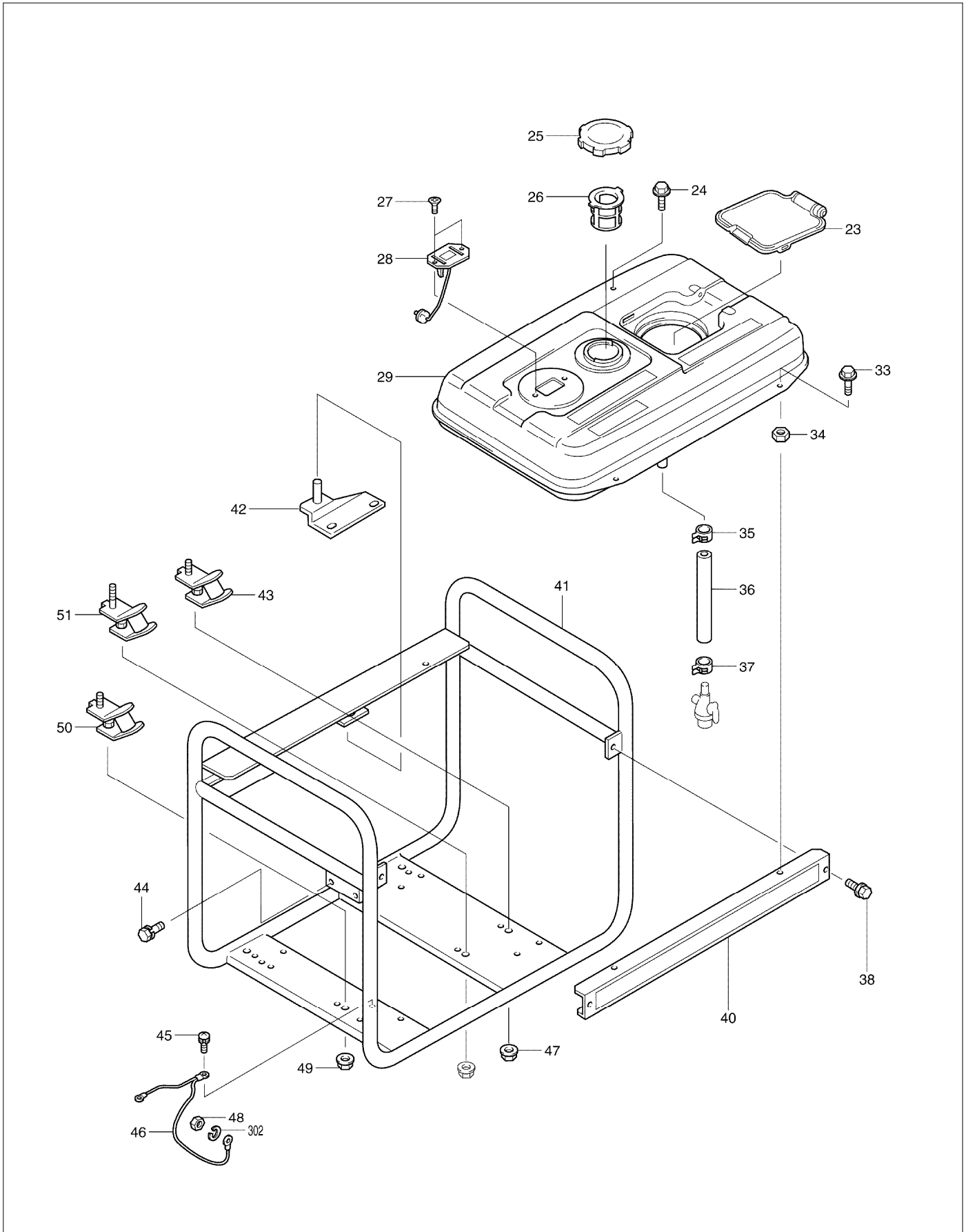
SERVICE DRAWING

MODEL NO. G5500R



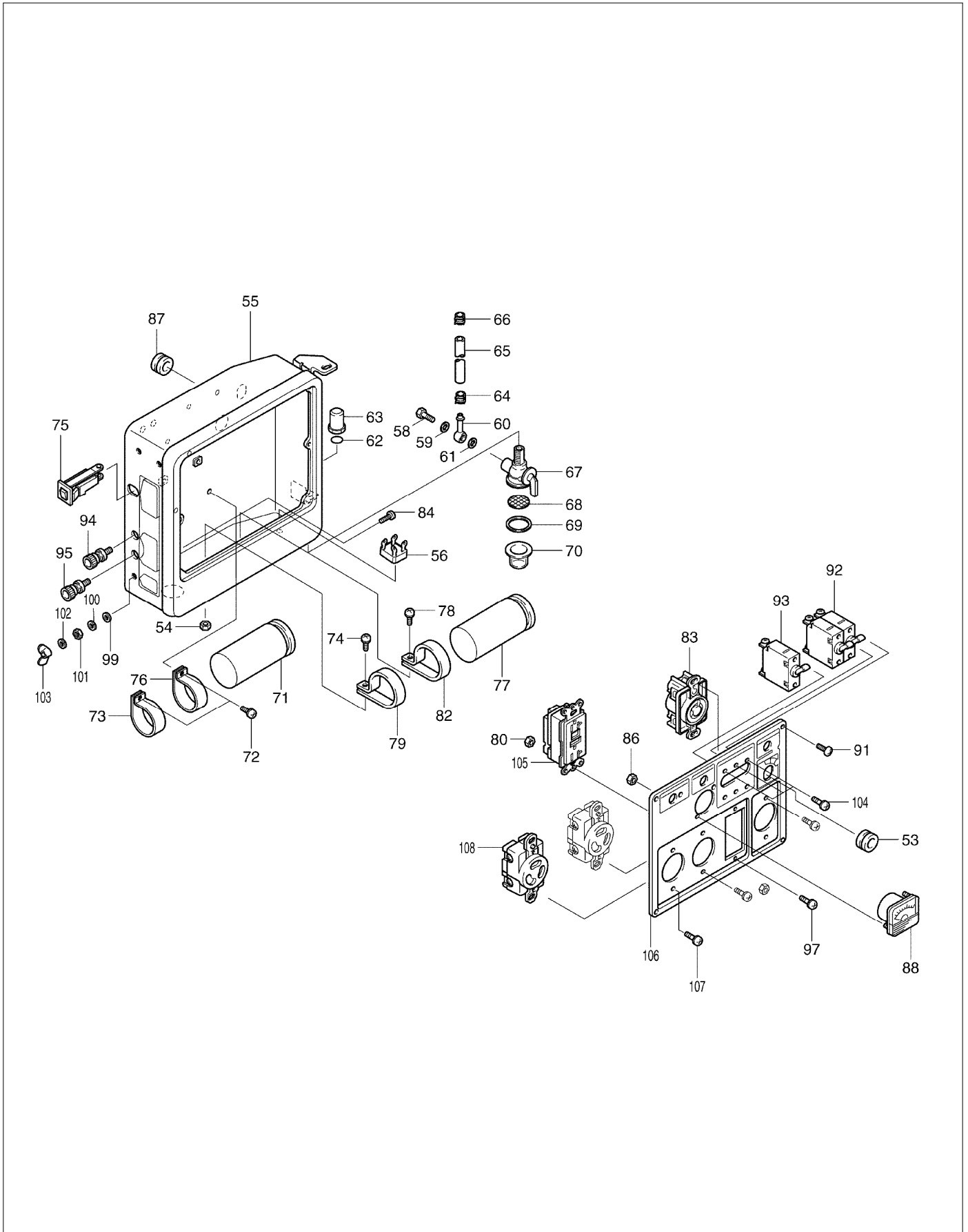
SERVICE DRAWING

MODEL NO. G5500R



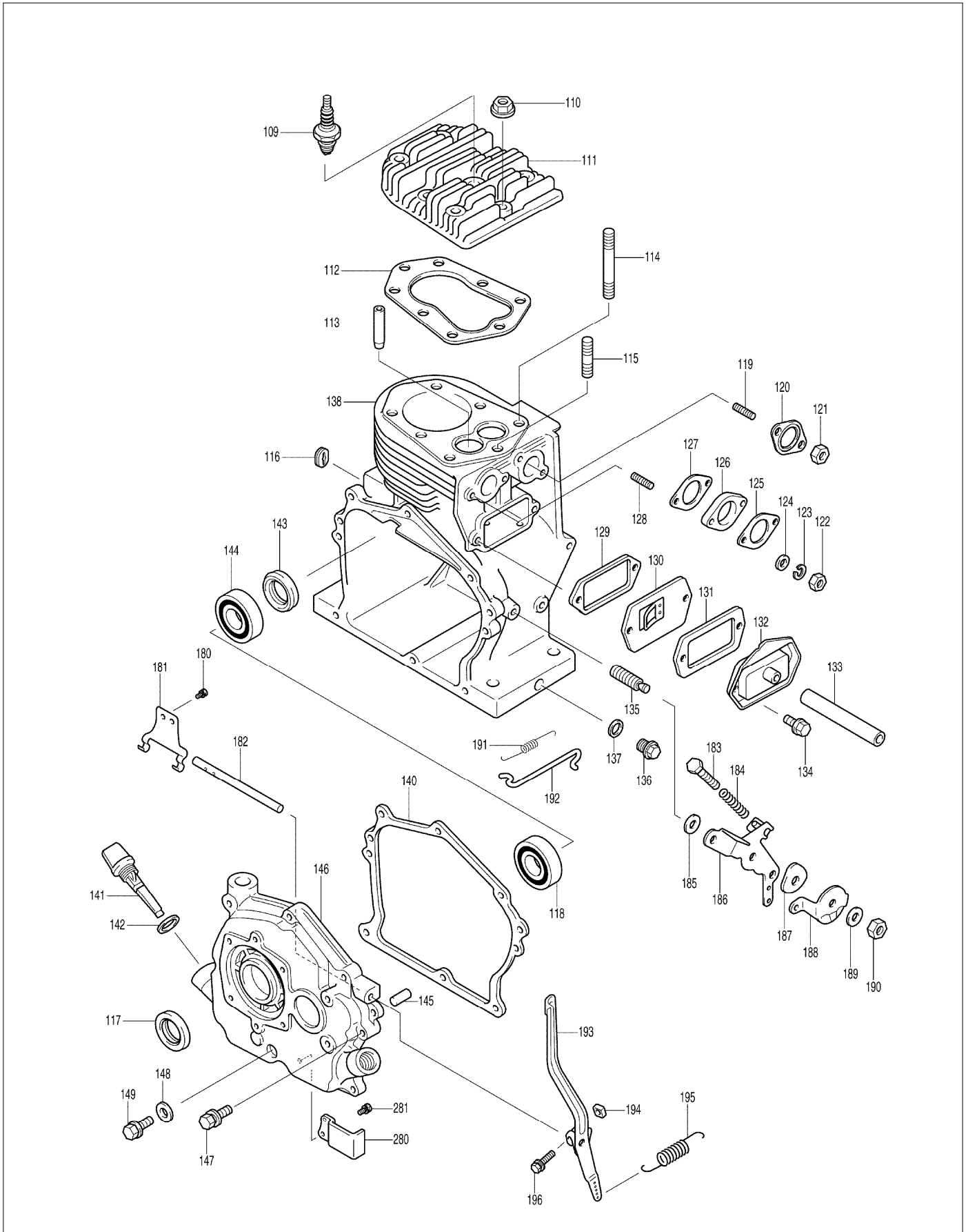
SERVICE DRAWING

MODEL NO. G5500R



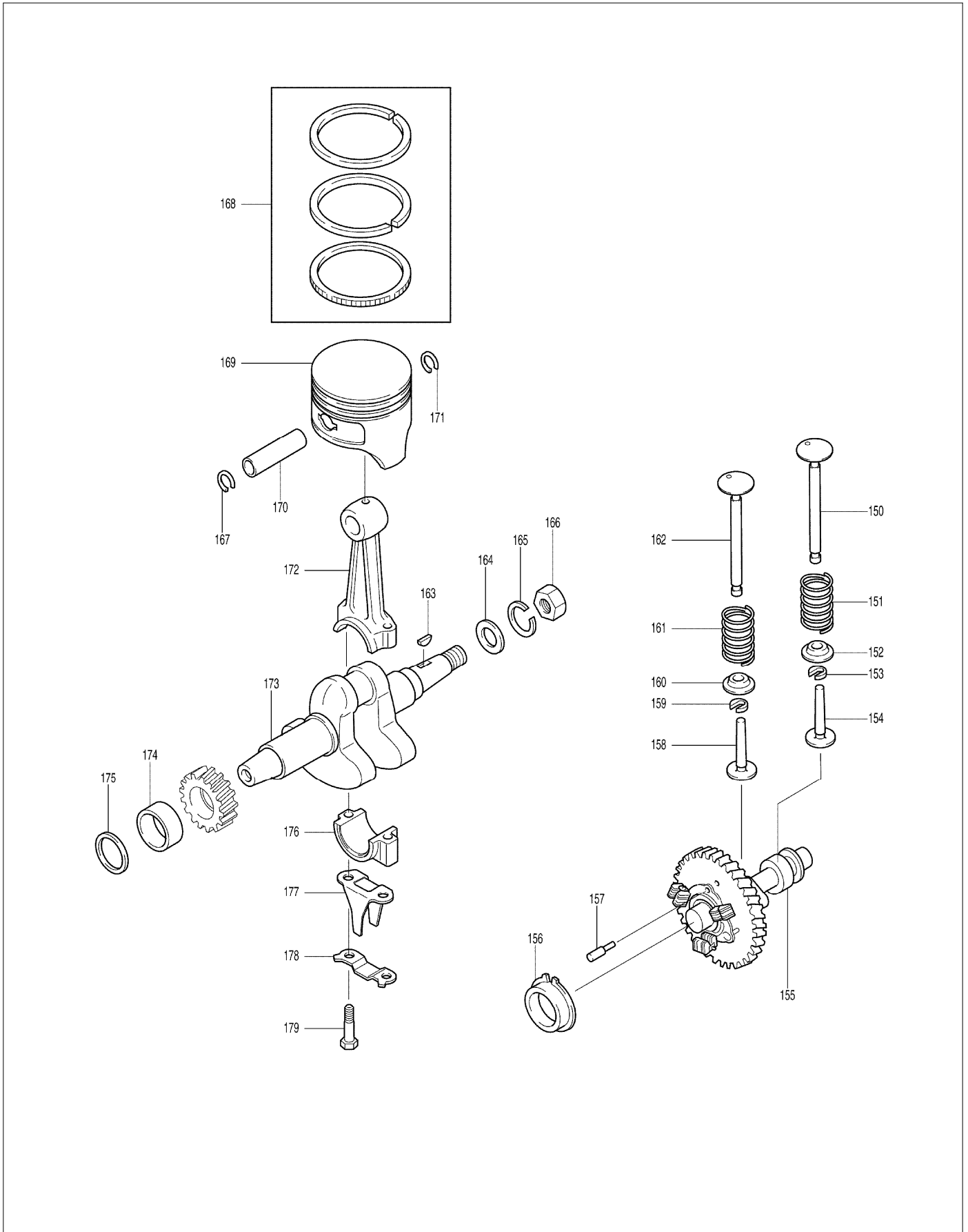
SERVICE DRAWING

MODEL NO. G5500R



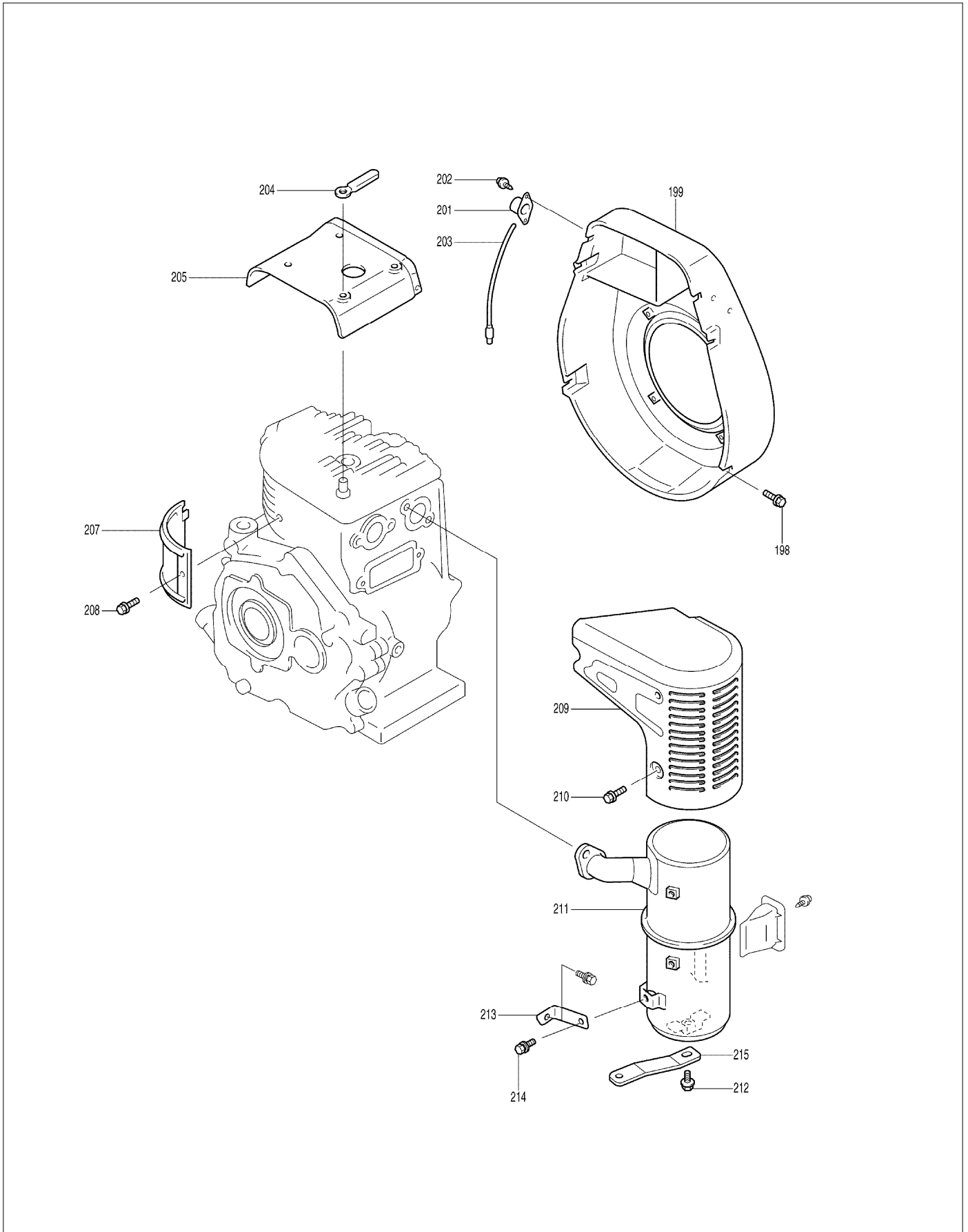
SERVICE DRAWING

MODEL NO. G5500R



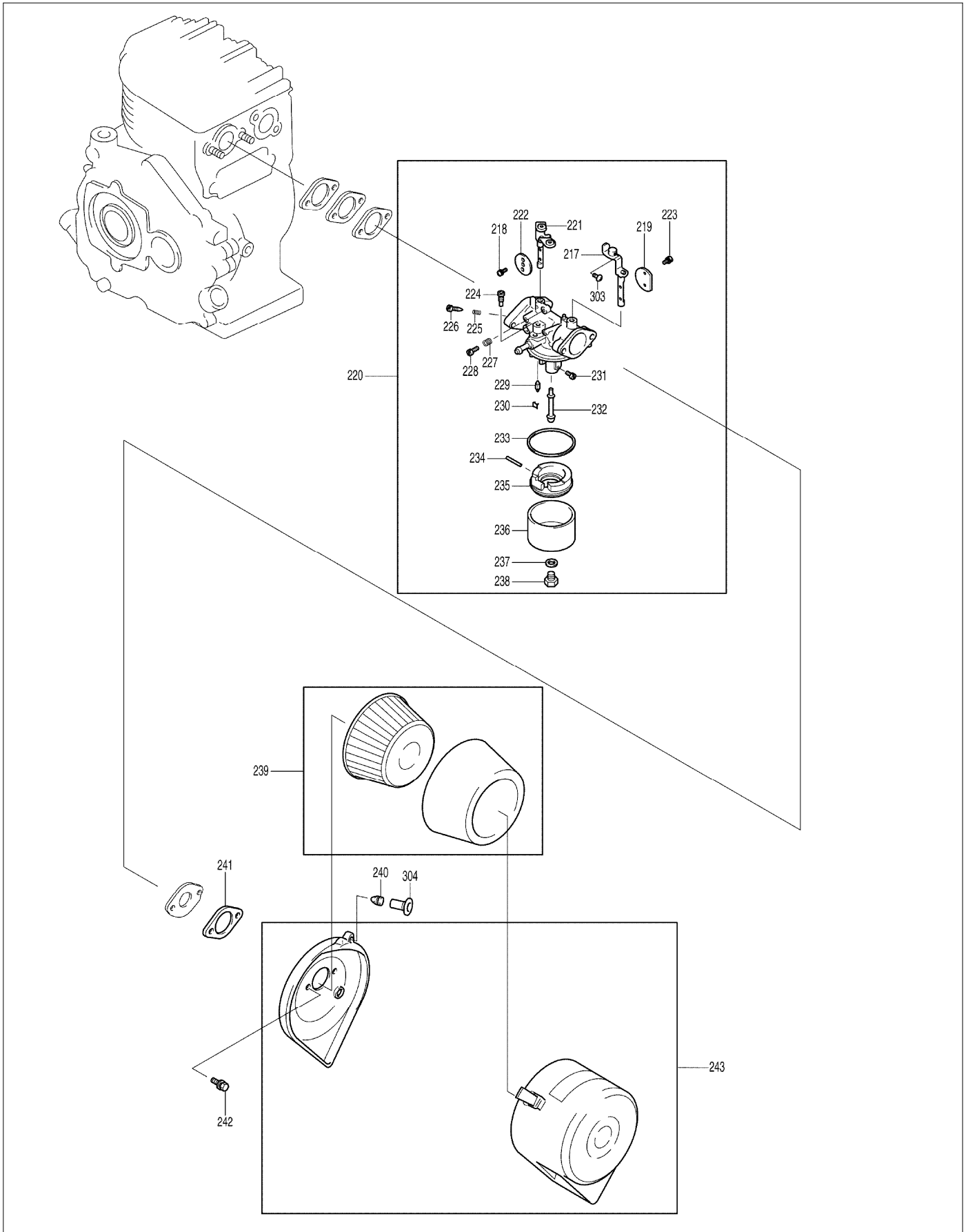
SERVICE DRAWING

MODEL NO. G5500R



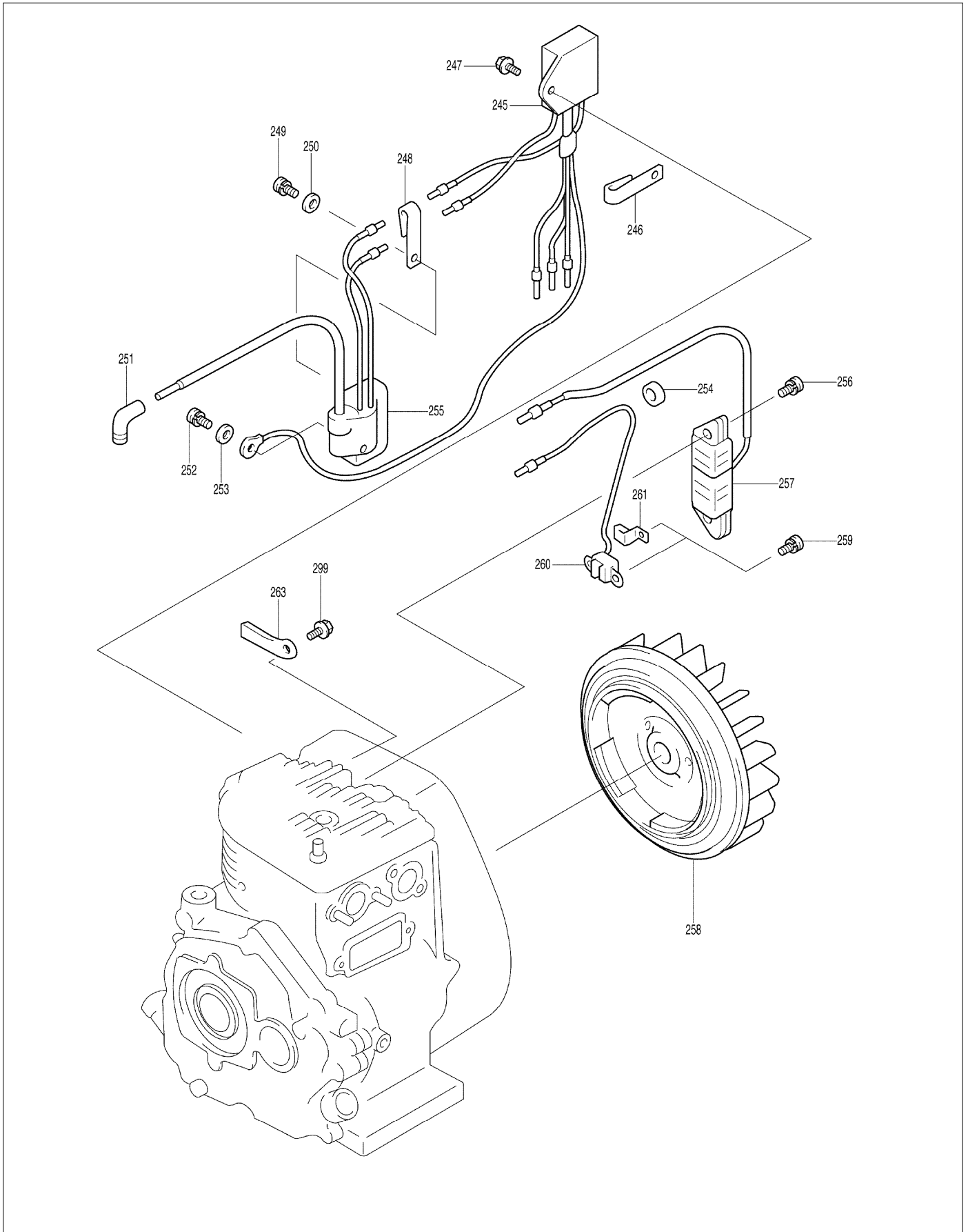
SERVICE DRAWING

MODEL NO. G5500R



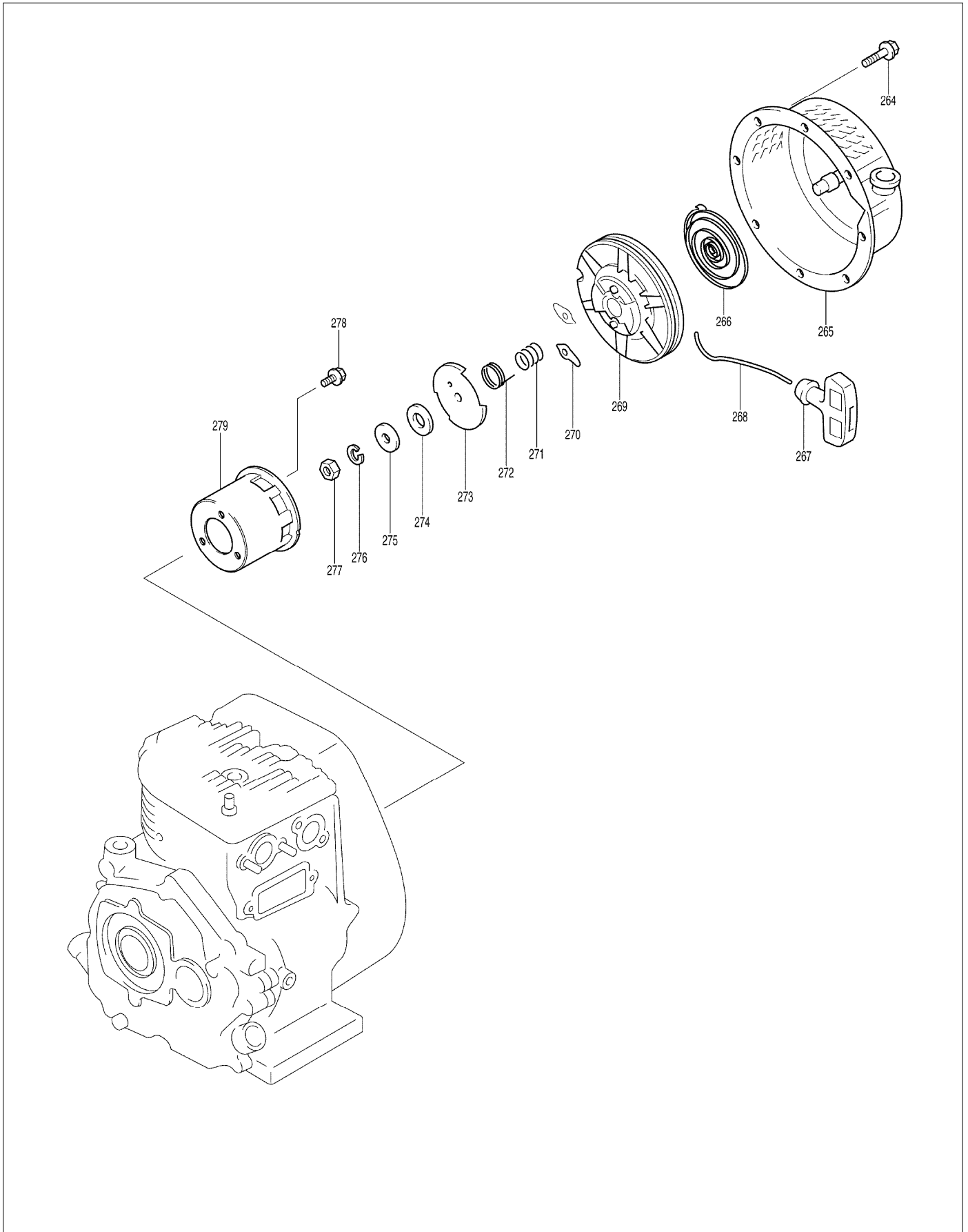
SERVICE DRAWING

MODEL NO. G5500R



SERVICE DRAWING

MODEL NO. G5500R



SERVICE DRAWING

MODEL NO. G5500R

