

SPARE PARTS LIST

PAGE 1

MODEL NO. G4100R

ITEM	PART NO.	DESCRIPTION	QTY	NOTE
001	31C5102101	FRONT COVER	1	
002	0011408200	BOLT & WASHER ASS'Y	4	
003	31C5101611	ROTOR COMPLETE INC. 4	1	
004	3535820808	BALL BEARING 6203ZZ	1	
005	31C7901503	THROUGH BOLT M10X220	1	
006	31C5112001	STATOR COMP.	1	
007	31C5102601	END COVER	1	
008	31C5102301	STATOR COVER	1	
009	31C5102501	REAR COVER	1	
010	3912900013	BUSHING	1	
011	0100060230	COVER BOLT M6X110	4	
012	0032006000	SPRING WASHER	4	
013	30A7120203	BOLT AND WASHER ASS'Y(M5X12)	4	
014	0023808000	FLANGE NUT	2	
015	30G4910608	LABEL(EARTH)	1	
016	31C3130101	PIPE FRAME COMPLETE	1	
017	31C9320103	LABEL(MODEL)	1	
018	3773700011	RUBBER MOUNT UNIT(GENERATOR)	2	
019	3773700111	RUBBER MOUNT UNIT(ENGINE)	2	
020	0023808000	FLANGE NUT	4	
021	31C6900103	SPACER	2	
022	0021704000	Anyacsavar RBL250	1	
023	0032004000	SPRING WASHER	1	
024	3905441601	EARTH CORD COMPLETE	1	
025	3763910001	SCREW & WASHER ASS'Y	1	
026	31B6910101	STOPPER PLATE	1	
027	0732004860	LABEL(HOT&GAS)	1	
028	30G4910608	LABEL(EARTH)	1	
029	31C7213600	CONTROL BOX ASS'Y INC. 30-65	1	
030	31D4210101	CONTROL BOX COMPLETE	1	
031	3854754108	CONDENSER	1	
032	30G4760508	CONDENSER BRACKET	4	
033	0043504100	SCREW & WASHER ASS'Y	3	
034	3895998908	SCREW & WASHER ASS'Y	1	
035	0021704000	Anyacsavar RBL250	2	
036	0241150010	GROMMET	1	
037	31C8214803	LABEL(SPEC)	1	
038	3534580408	DIODE STACK ASS'Y	1	
039	0150040070	TAPPING SCREW	1	
040	0031004000	WASHER	1	
041	0011406160	BOLT & WASHER ASS'Y	3	
042	31C7208700	CONTROL PANEL ASS'Y INC. 43-65	1	
043	31C7204801	CONTROL PANEL,COMPL.	1	
044	31C7300203	CIRCUIT BREAKER	1	
045	0043703051	SCREW AND WASHER ASS'Y	4	
046	3914790011	AC VOLTMETER (200V CLASS)	1	
047	0021703000	NUT(M5)	2	
048	3884574608	AC RECEPTACLE 250V-16A	2	
049	0043103150	SCREW	8	
050	0032003000	SPRING WASHER	8	
051	0031003000	WASHER	8	
052	0021703000	NUT(M5)	8	
053	31B7750501	SWITCH	1	
054	3634570008	TERMINAL BOLT (BLACK)	1	
055	3634570108	TERMINAL BOLT (RED)	1	

SPARE PARTS LIST

PAGE 2

MODEL NO. G4100R

ITEM	PART NO.	DESCRIPTION	QTY	NOTE
056	3205985508	FUSE HOLDER	1	
057	31C7510303	FUSE(10A)	1	
058	3534990108	WING NUT	1	
059	3320005008	SPRING WASHER	2	
060	3534990308	WASHER	1	
061	0033005000	LOCK WASHER	1	
062	3534990208	NUT	1	
063	3564990708	SCREW	1	
064	0732004490	LABEL(ELECTRIC SHOKE)	1	
065	3534990408	TAPPING SCREW(M4X10MM)	6	
066	31C3600501	FUEL TANK COMPLETE	1	
067	0648000200	FUEL GAUGE COMPLETE	1	
068	0145050040	SCREW	2	
069	0430590011	FUEL TANK CAP, COMPLETE	1	
070	0641540011	FUEL FILTER	1	
071	3913900013	RUBBER (TANK)	4	
072	0110060220	FLANGE BOLT	4	
073	0642010001	Strainer, Tank INC. 74-79,260	1	
074	0642001420	FILTER	1	
075	0642001430	PACKING	1	
076	0642001410	CUP	1	
077	0642010030	LOCK NUT	1	
078	0642000330	O-RING	2	
079	0642002790	LOCK BOLT	1	
080	0851060000	RUBBER PIPE (6DX12D)	1	
081	0561110020	HOSE CLAMP 11D	2	
082	0732004510	LABEL(SYMBOL-TANK)	1	
083	0732004520	OIL CAUTION LABEL	1	
084	31C8410203	LABEL(98)	1	
085	31C1110101	MUFFLER COMPL.	1	
086	31C1200121	MUFFLER COVER 1 COMPLETE	1	
087	31C1300113	MUFFLER COVER 2	1	
088	2703520101	GASKET COMPL.(EXHAUST)	1	
089	0170080030	NUT	2	
090	0032008000	SPRING WASHER	2	
091	0011408200	BOLT & WASHER ASS'Y	2	
092	0011106100	BOLT AND WASHER ASS'Y	8	
093	2541010341	CRANKCASE COMPL. INC. 94-97	1	
094	0440300030	OIL SEAL	1	
095	0600300020	BALL BEARING S-BB-6206C3	1	
096	0310060020	DOWEL PIN	2	
097	0440080010	OIL SEAL	1	
098	0401140030	PLUG	2	
099	0211140020	GASKET	2	
100	2541100401	MAIN BEARING COVER INC. 101,102	1	
101	0440300030	OIL SEAL	1	
102	0600300020	BALL BEARING S-BB-6206C3	1	
103	2344500101	GOVERNOR GEAR COMPLETE	1	
104	2054190103	GOVERNOR SLEEVE	1	
105	2696360103	OIL GAUGE	1	
106	2776360108	GASKET	1	
107	2541600113	GASKET(BEARING COVER)	1	
108	0011308300	BOLT AND WASHER ASS'Y	8	
109	2701300121	CYLINDER HEAD COMPL. INC. 110-112	1	

SPARE PARTS LIST

PAGE 3

MODEL NO. G4100R

ITEM	PART NO.	DESCRIPTION	QTY	NOTE
110	2631421103	VALVE GUIDE(OVER SIZE)	2	
111	0105080290	MUFFLER STUD	2	
112	13207AA050	SEAL(INTAKE VALVE)	1	
113	2541500113	GASKET (HEAD)	1	
114	0110100040	FLANGE BOLT	4	
115	2701550303	ROCKER COVER	1	
116	2541440111	BREATHER PLATE COMPLETE	1	
117	2541430101	BREATHER COVER COMPLETE	1	
118	2701600413	GASKET(ROCKER COVER)	1	
119	2461600603	GASKET (BREATHER COVER)	1	
120	2461600713	GASKET(BREATHER PLATE)	1	
121	0851080000	RUBBER PIPE	1	
122	0310060020	DOWEL PIN	2	
123	0110060020	FLANGE BOLT M6X1.0X14DX12L	6	
124	0023808000	FLANGE NUT	2	
125	2542079101	CRANKSHAFT COMPLETE	1	
126	0230300170	SPACER T=0.6	1	
127	0230300180	SPACER T=0.8	1	
128	0230300190	SPACER T=1.0	1	
129	0021818000	NUT	1	
130	0032018000	SPRING WASHER	1	
131	0323030010	WOODRUFF KEY	1	
132	2542250100	CONNECTING ROD ASS'Y INC. 133	1	
133	2462300113	CONNECTING ROD BOLT	2	
134	2702330103	PISTON PIN	1	
135	2702340103	PISTON (FOR STANDARD)	1	
136	2702340203	PISTON (OVER-SIZE 0.25MM)	1	
137	2702340303	PISTON (OVER-SIZE 0.50MM)	1	
138	2542350107	PISTON RING SET (FOR STD.)	1	
139	2542350207	PISTON RING SET OVERSIZE .25MM	1	
140	2542350307	PISTON RING SET OVERSIZE .50MM	1	
141	0565180010	CLIP	2	
142	2543170141	CAMSHAFT COMPLETE INC. 143-147	1	
143	2273860123	PIN 3.8DX7.5DX14L	1	
144	2543640123	RELEASE LEVER	1	
145	0051904100	SPRING PIN	1	
146	0031522000	SNAP RING	1	
147	2343870103	RETURN SPRING	1	
148	2393330113	TAPPET	2	
149	2463361103	VALVE SPRING	2	
150	2463371113	SPRING RETAINER	2	
151	2703340103	INTAKE VALVE	1	
152	2703350103	EXHAUST VALVE	1	
153	2703530103	PUSH ROD	2	
154	2463550103	COLLET-VALVE	4	
155	2693600103	ROCKER ARM	2	
156	2693580103	BOLT (PIVOT)	2	
157	0170060090	601106X0.75X5.1H	2	
158	2703650103	GUIDE PLATE	1	
159	2543300101	INTAKE PIPE COMPLETE INC. 160	1	
160	0105060191	CARBURETOR STUD	2	
161	2463600113	GASKET (INTAKE PIPE)	1	
162	2543261220	AIR CLEANER ASS'Y INC. 163-165	1	
163	2343600308	AIR CLEANER GASKET	1	

SPARE PARTS LIST

PAGE 4

MODEL NO. G4100R

ITEM	PART NO.	DESCRIPTION	QTY	NOTE
164	2073269008	GROMMET	1	
165	2343260707	Szuroegység agregátorhoz G	1	
166	2343290103	INSULATOR	1	
167	2343590203	GASKET 2, INSULATOR	2	
168	2064390101	KNOB COMPLETE	1	
169	0011308280	BOLT AND WASHER ASS'Y	3	
170	2263921200	NUT AND WASHER ASS'Y	2	
171	0011006160	BOLT & WASHER ASS'Y	1	
172	2544230123	GOVERNOR LEVER	1	
173	2464220123	GOVERNOR SHAFT	1	
174	0031306000	CLIP	2	
175	2544250113	GOVERNOR SPRING	1	
176	2544270101	GOVERNOR ROD	1	
177	2544280103	ROD SPRING	1	
178	2274331013	SPEED CONTROL	1	
179	0043106450	PAN HEAD SCREW	1	
180	2204800113	CONTROL SPRING	1	
181	0011406300	BOLT AND WASHER ASS'Y	1	
182	0186060020	NUT M6X1.0X4.9H	1	
183	0011306120	BOLT ASS'Y M6X12	1	
184	0031108000	WASHER	1	
185	2545346101	BLOWER HOUSING COMPLETE	1	
186	0732005000	MAKITA LABEL	1	
187	2545270203	HEAD COVER	1	
188	0110060020	FLANGE BOLT M6X1.0X14DX12L	5	
189	2705020300	RECOILSTATER ASS'Y INC. 192-200	1	
190	2705011508	SPIRAL SPRING	1	
191	2705012008	REEL	1	
192	2705011018	STARTER ROPE	1	
193	2615010008	STARTER KNOB	1	
194	2705012508	RATCHET	2	
195	2275013108	FRICTION SPRING	1	
196	2705014518	SUTATER SULLLEY	1	
197	2705026108	RATCHET GUIDE	1	
198	2275015208	SET SCREW	1	
199	0110060010	Flange Bolt	4	
200	0011508200	BOLT AND WASHER ASS'Y	2	
201	2546234220	CABURETOR ASS'Y INC. 202-230	1	
202	2396253508	THROTTLE VALVE #200	1	
203	2096235108	SCREW ASS'Y	2	
204	2546252508	CHOKE VALVE	1	
205	2376245108	SCREW	2	
206	1576242008	PILOT JET(#46.3)	1	
207	2546230508	ADJUSTER	1	
208	2346252108	CHOKE LEVER	1	
209	2396256008	RING	1	
210	2546253208	THROTTLE SHAFT ASS'Y	1	
211	2246254408	BOLT	1	
212	2266255008	RING	1	
213	2246231218	NEEDLE VALVE	1	
214	2146251508	FLOAT PIN	1	
215	2246255208	FLOAT CHAMBER BODY	1	
216	2076234508	WASHER	1	
217	2066254008	PACKING	1	
218	2346250608	FLOAT ASS'Y	1	
219	2546244008	MAIN NOZZLE	1	

SPARE PARTS LIST

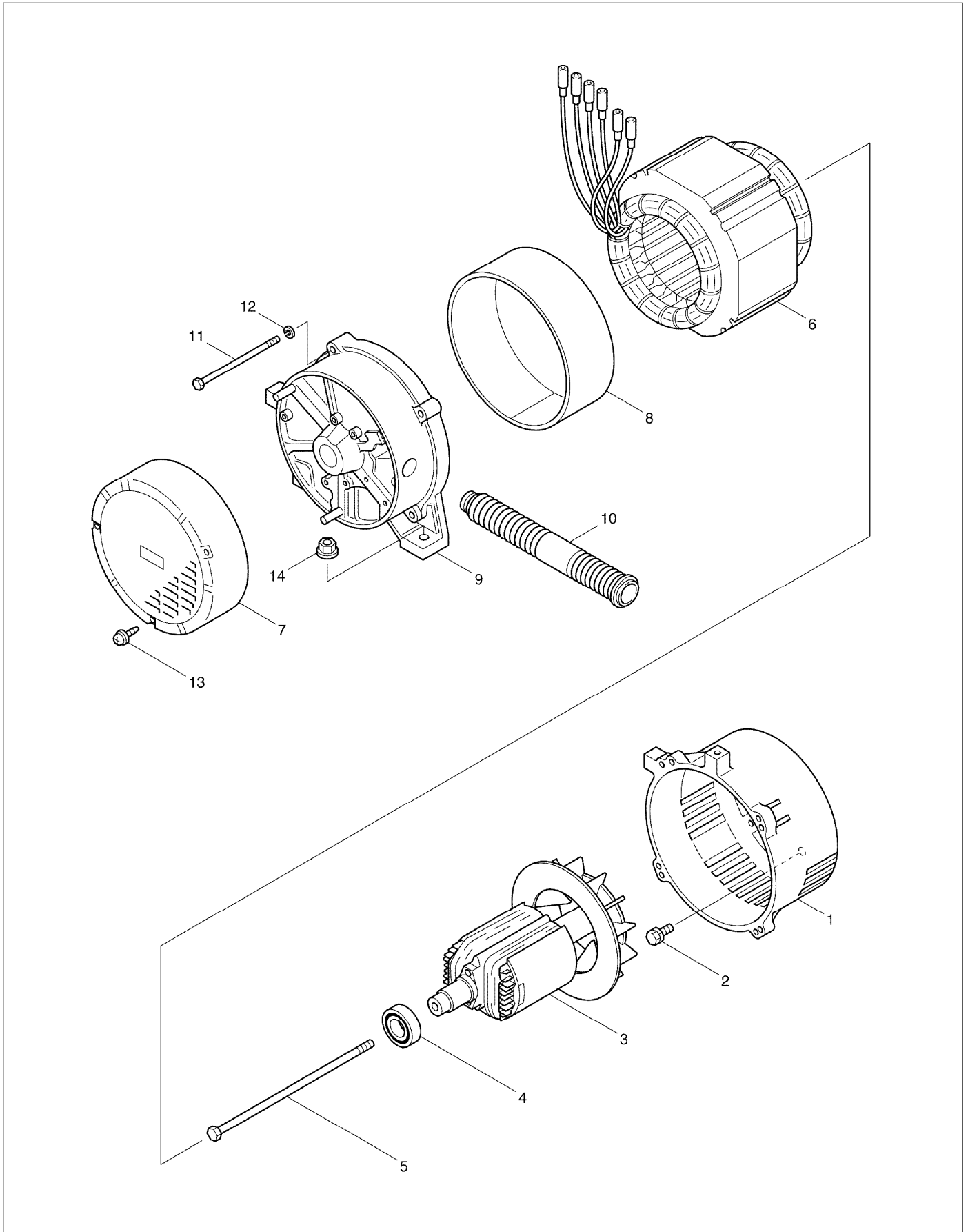
PAGE 5

MODEL NO. G4100R

ITEM	PART NO.	DESCRIPTION	QTY	NOTE
220	2486240108	MAIN JET(#110)	1	
221	2466243508	ADJUST SCREW	1	
222	2066244608	SPRING	1	
223	2246256918	CLIP	1	
224	2466242508	PIPE	1	
225	2306244608	SPRING	1	
226	2486241008	AIR JET	1	
227	1076241008	AIR JET	1	
228	2276245008	BOLT	1	
229	2366268008	SEAL	1	
230	2476255008	CAP	1	
231	2347020311	FLYWHEEL COMPLETE	1	
232	2547943031	IGNITION COMPL.	1	
233	2277963201	Charge coil	1	
234	2267550103	GROMMET	1	
235	0650140150	Gyújtógyertya	1	
236	0655000140	SPARK PLUG CAP	1	
237	0659000010	PLUG TERMINAL	1	
238	0566000300	CLAMP	1	
239	2067550101	CLAMP COMPLETE	1	
240	0011406250	BOLT & WASHER ASS'Y	2	
241	0011008160	Bolt and Washer Ass'y	1	
242	0043506250	SCREW AND WASHER ASS'Y	2	
243	0043106080	PAN HEAD SCREW	1	
244	0566000190	CLAMP	1	
245	2277550100	SOLENOID ASS'Y INC. 246,247	1	
246	2277550108	NUT	1	
247	2277550208	WASHER	1	
248	2547651301	BRACKET 2	1	
249	2343600303	GASKET,AIR CLEANER	1	
250	2274690113	SPRING	1	
251	2347311811	WIRE 18 COMPLETE	1	
252	0563000040	WIRE BAND	1	
253	2267510103	CLAMP	2	
254	0110060010	Flange Bolt	1	
255	KS31101001	OIL SENSOR	1	
256	2547310311	WIRE 3 COMPLETE	1	
257	0566000170	CLAMP	2	
258	2541750213	OIL SHELTER	1	
259	0043505100	SCREW & WASHER ASS'Y	3	
260	0642003230	SPRING	1	
A01	2279030110	TOOL KIT	1	

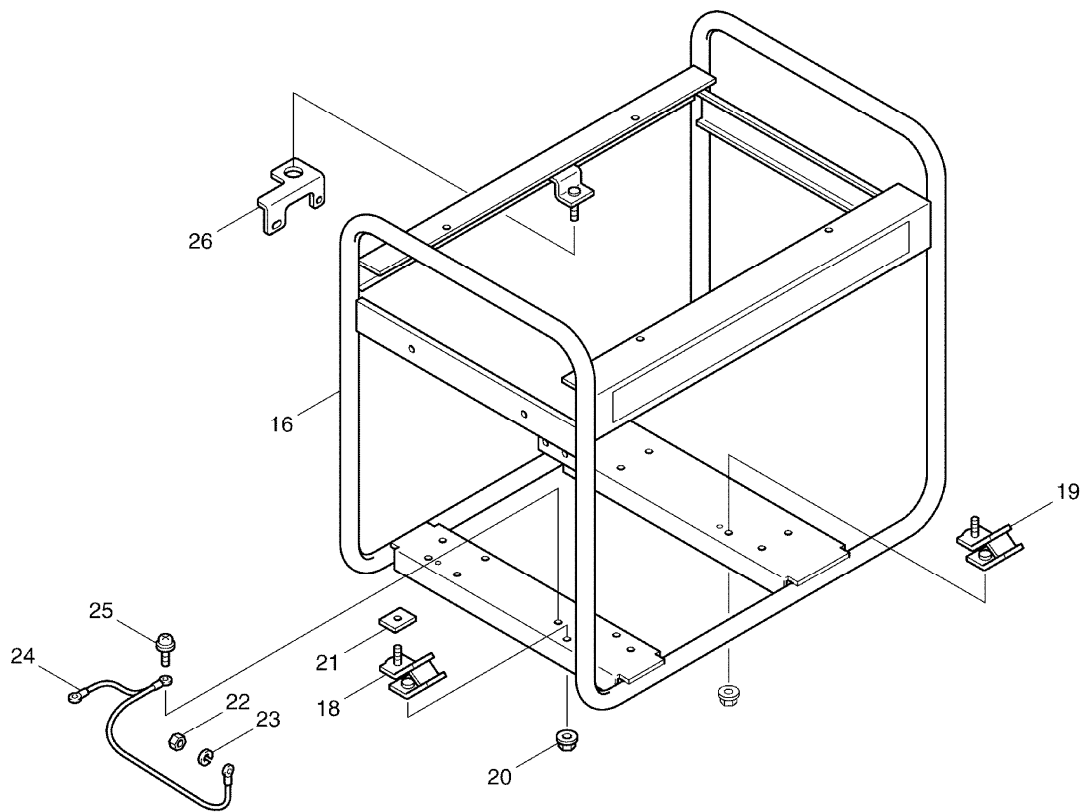
SERVICE DRAWING

MODEL NO. G4100R



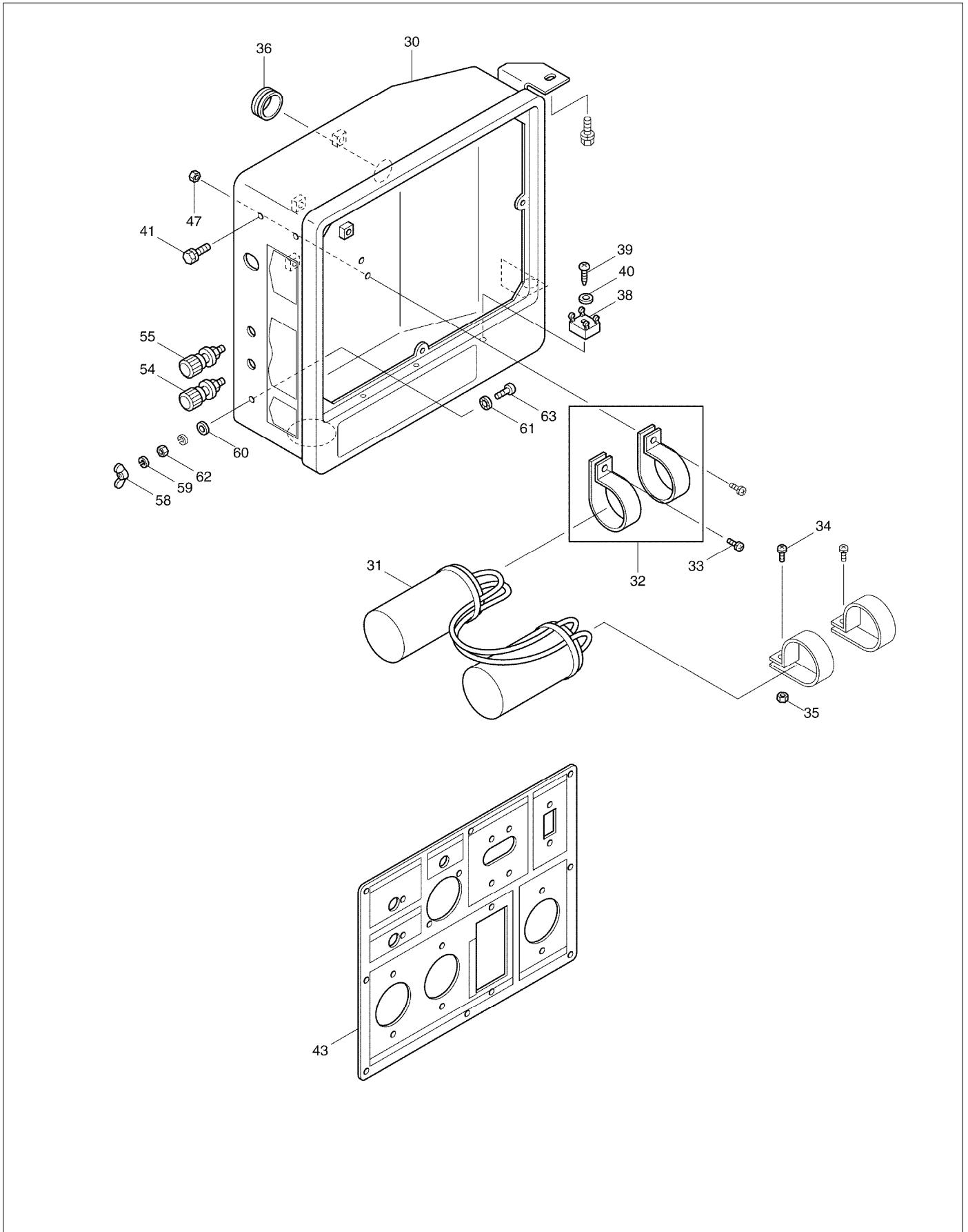
SERVICE DRAWING

MODEL NO. G4100R



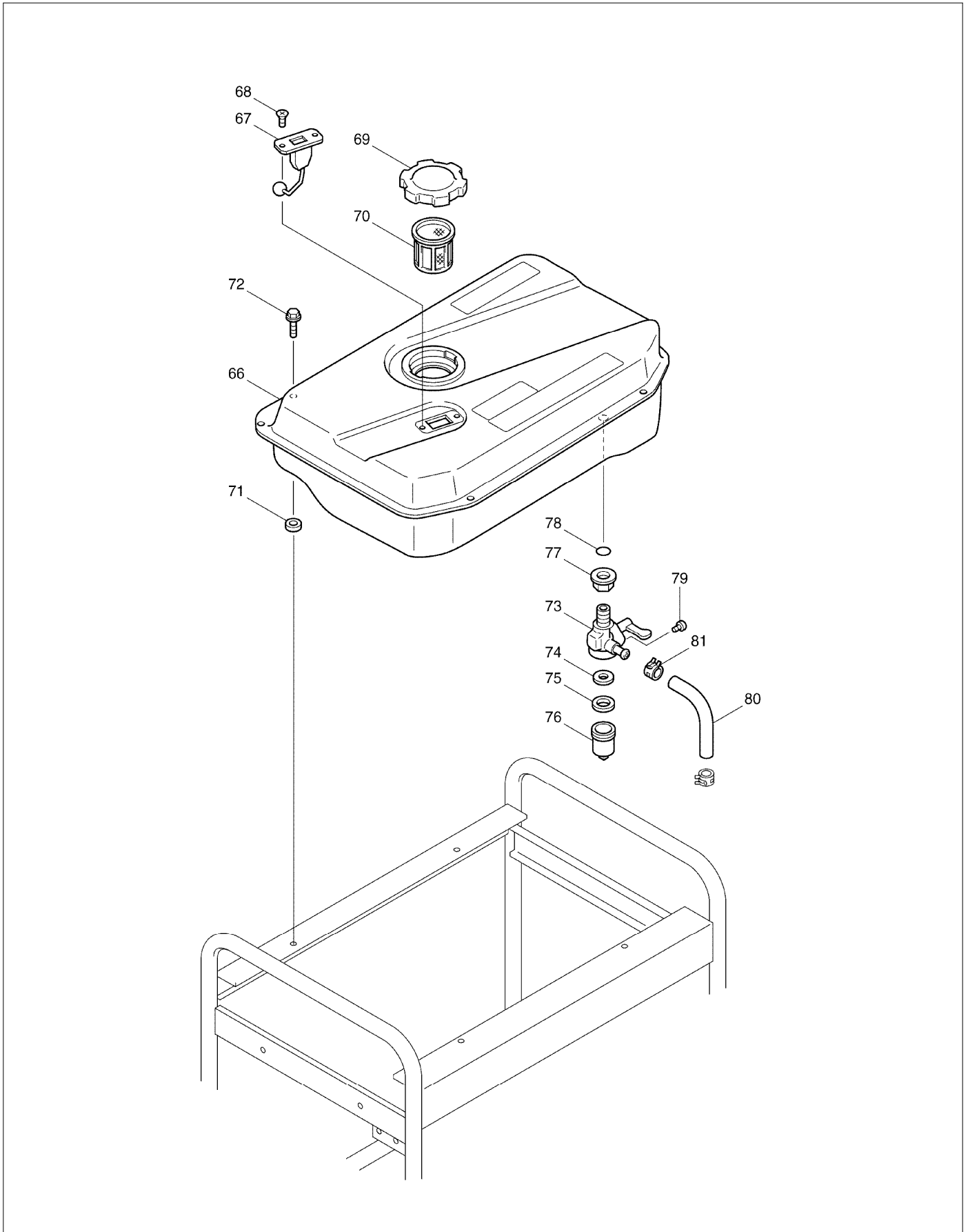
SERVICE DRAWING

MODEL NO. G4100R



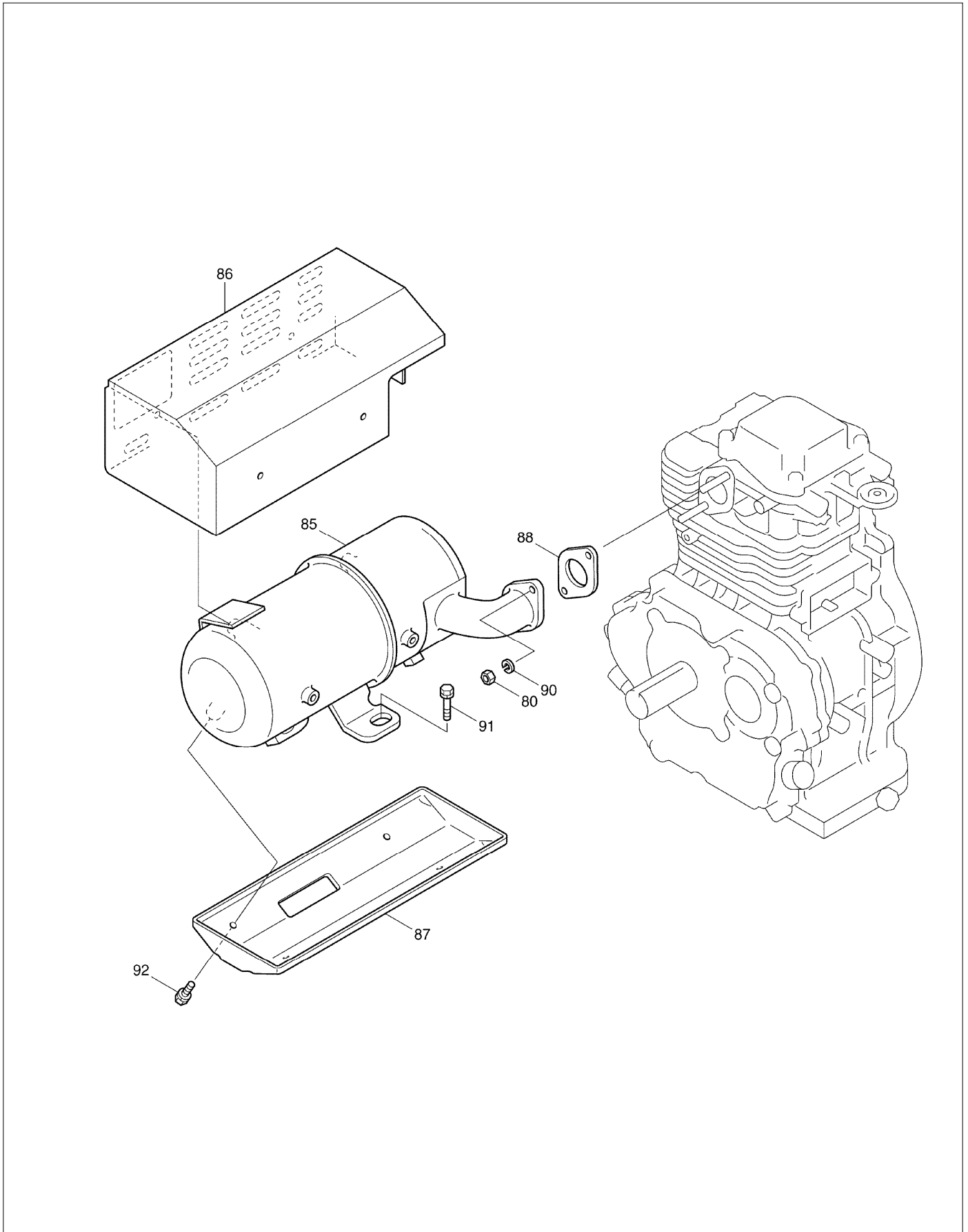
SERVICE DRAWING

MODEL NO. G4100R



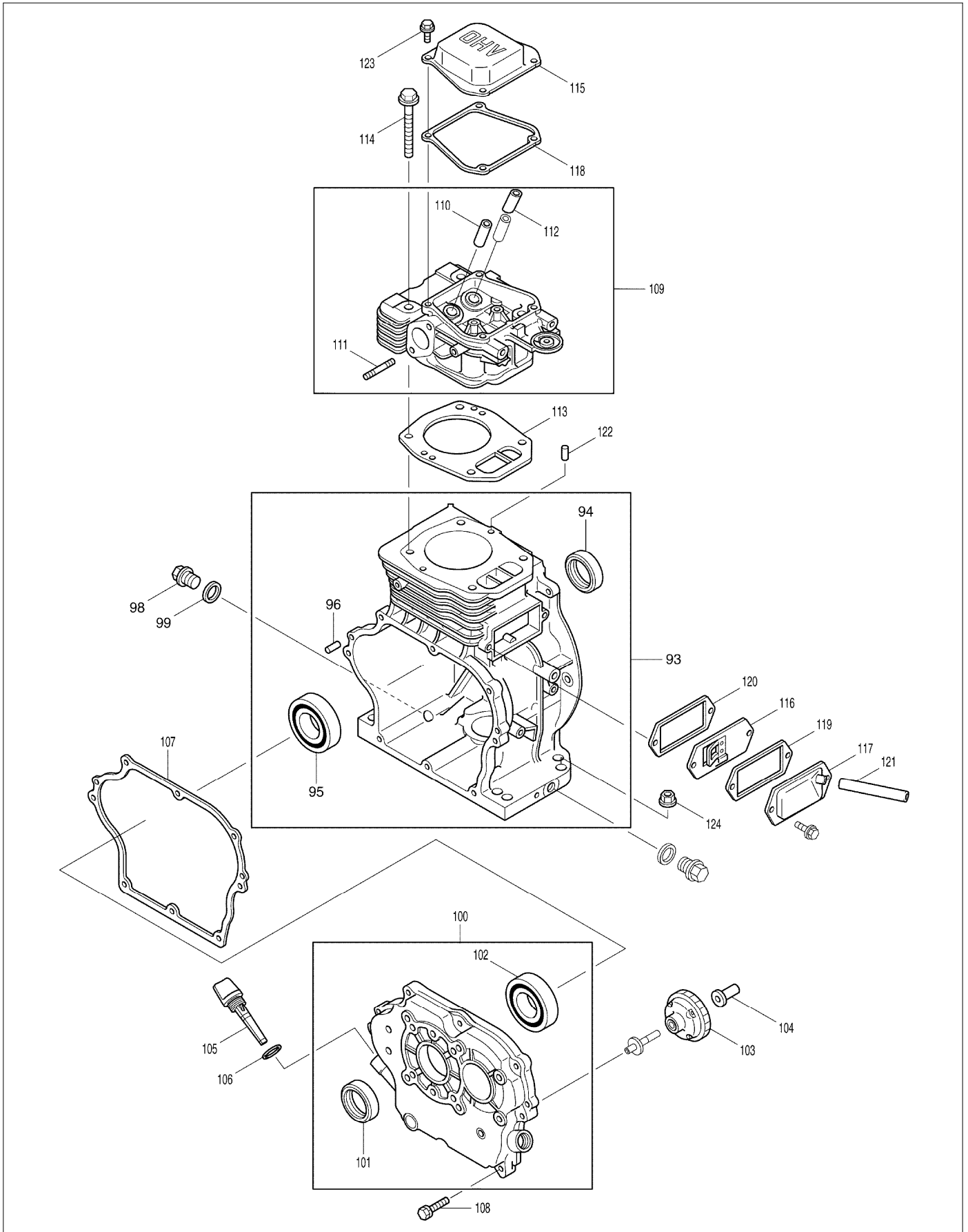
SERVICE DRAWING

MODEL NO. G4100R



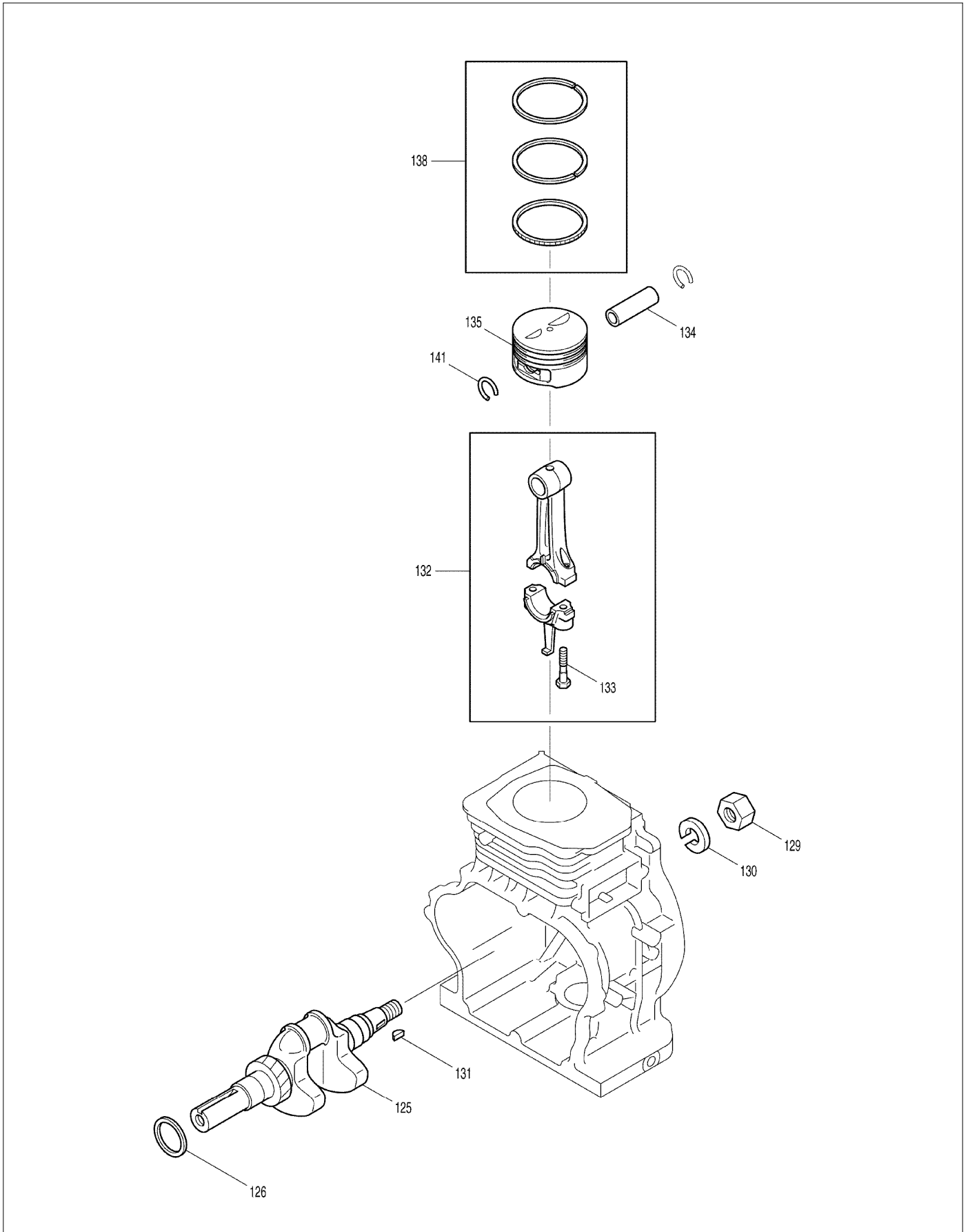
SERVICE DRAWING

MODEL NO. G4100R



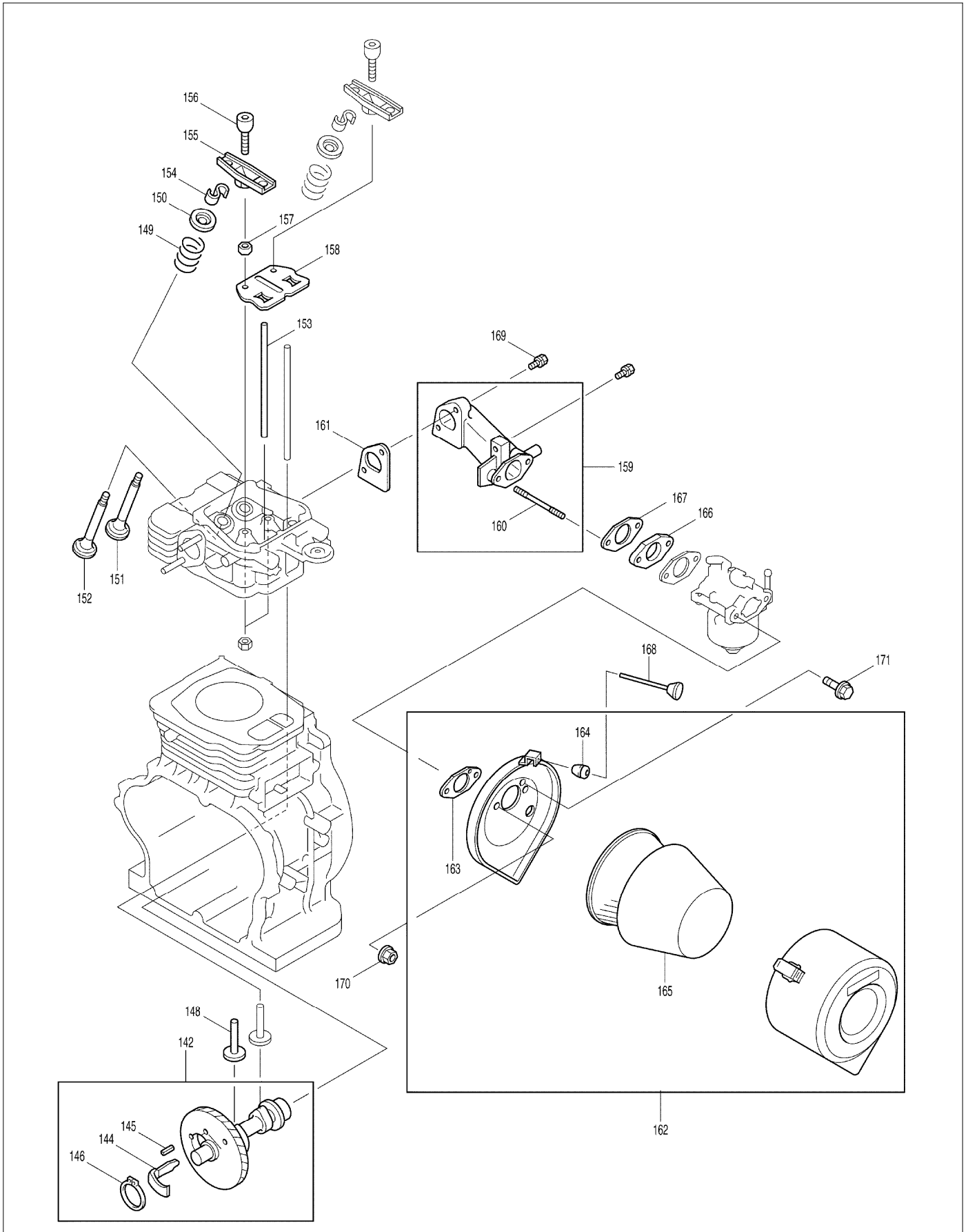
SERVICE DRAWING

MODEL NO. G4100R



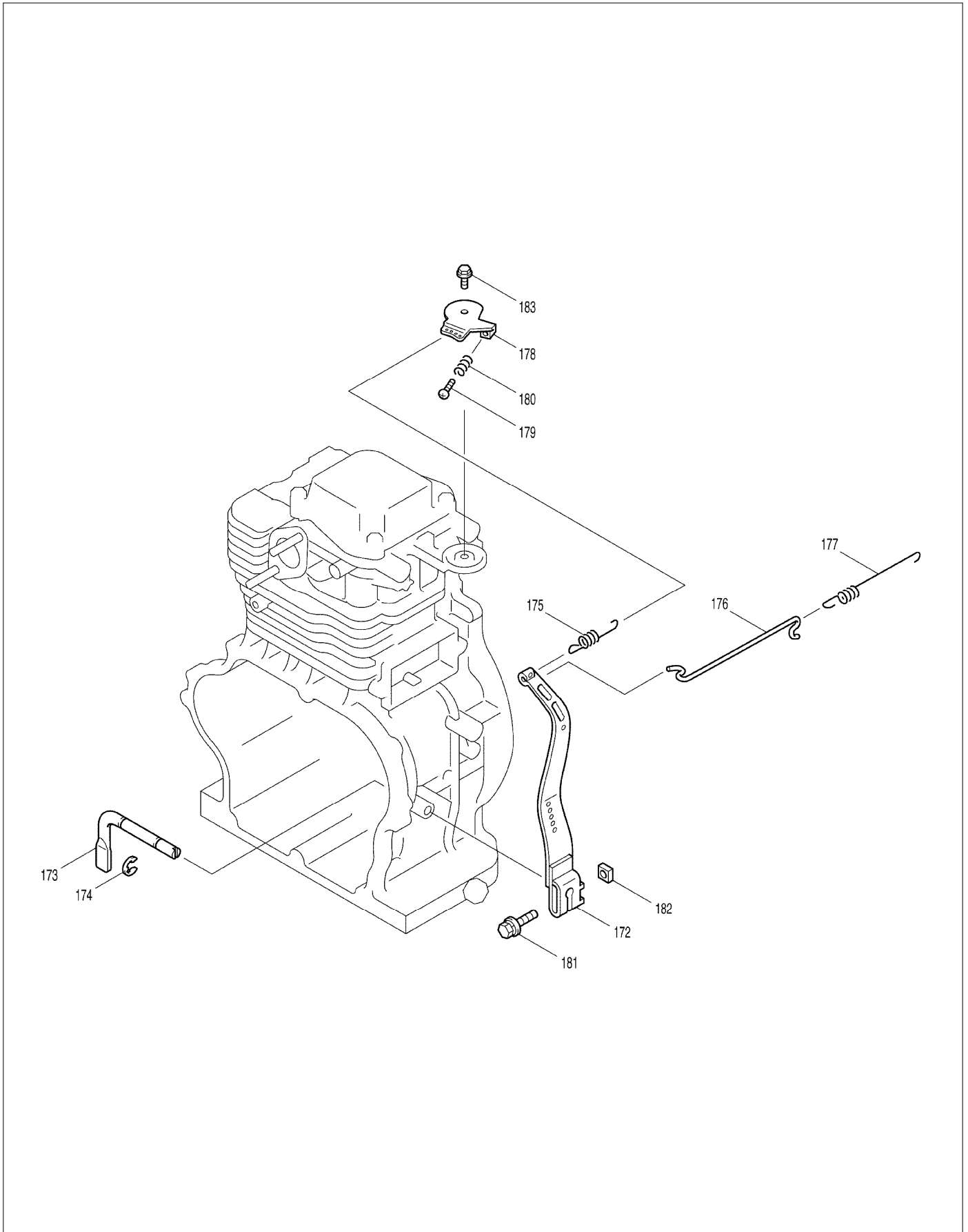
SERVICE DRAWING

MODEL NO. G4100R



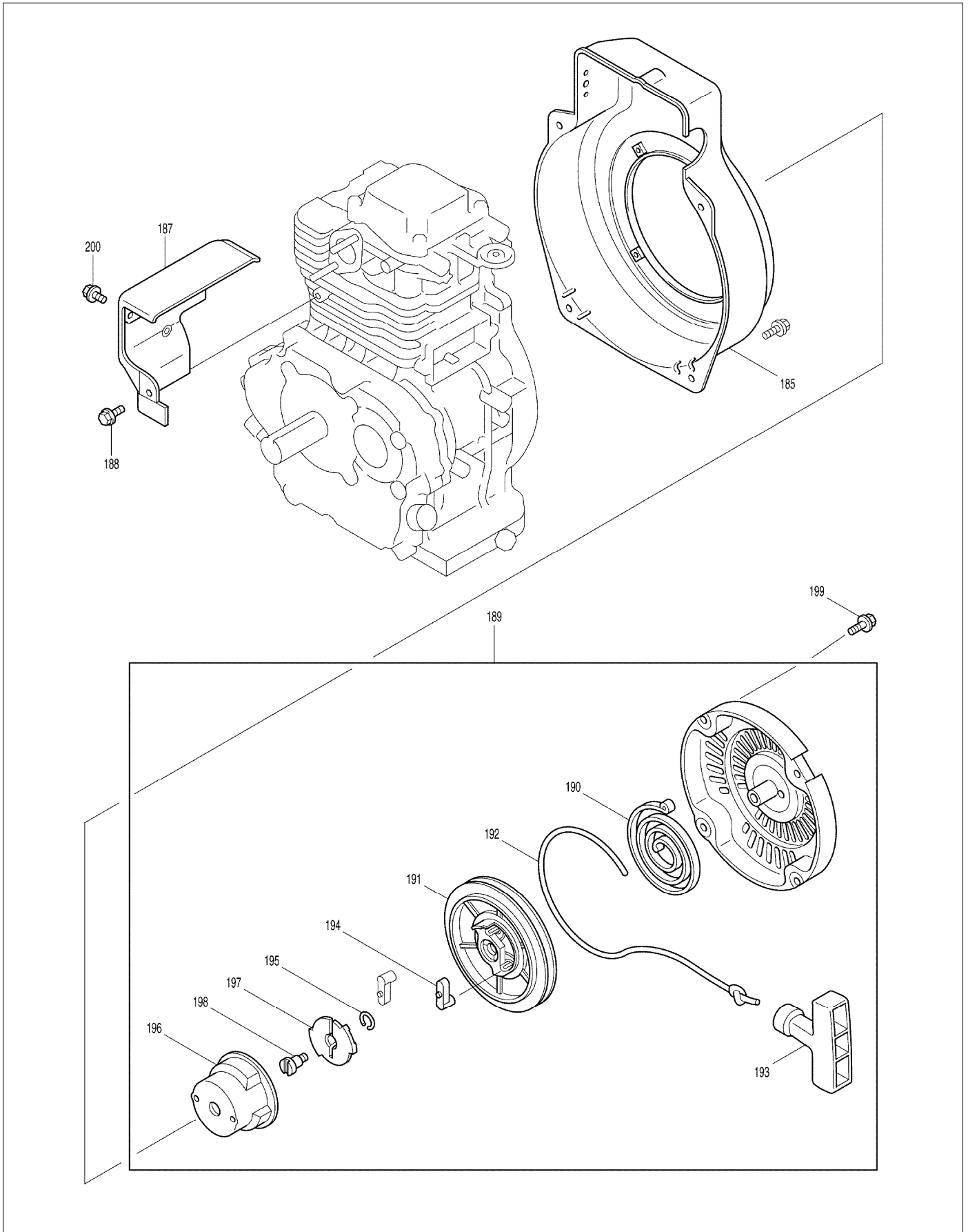
SERVICE DRAWING

MODEL NO. G4100R



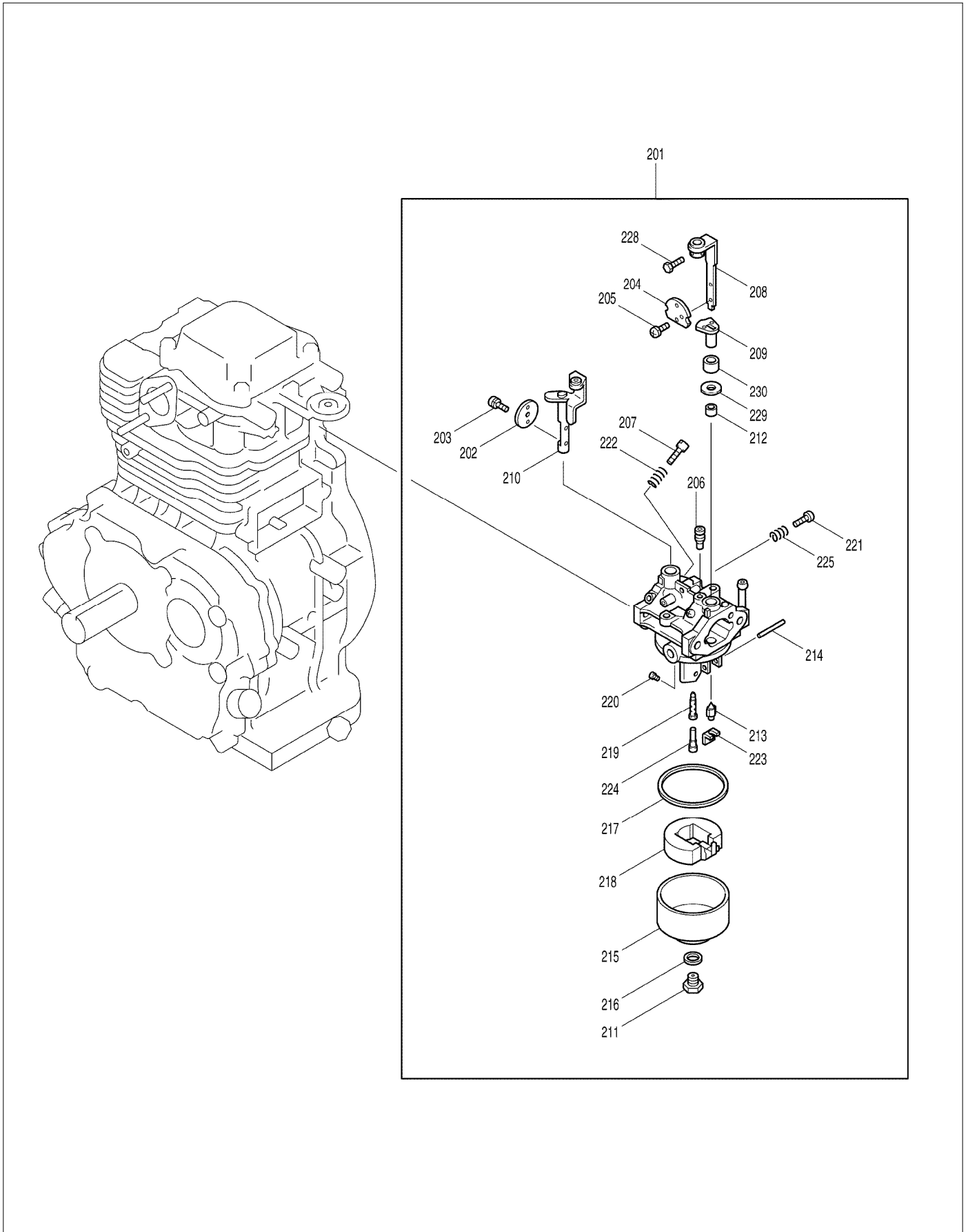
SERVICE DRAWING

MODEL NO. G4100R



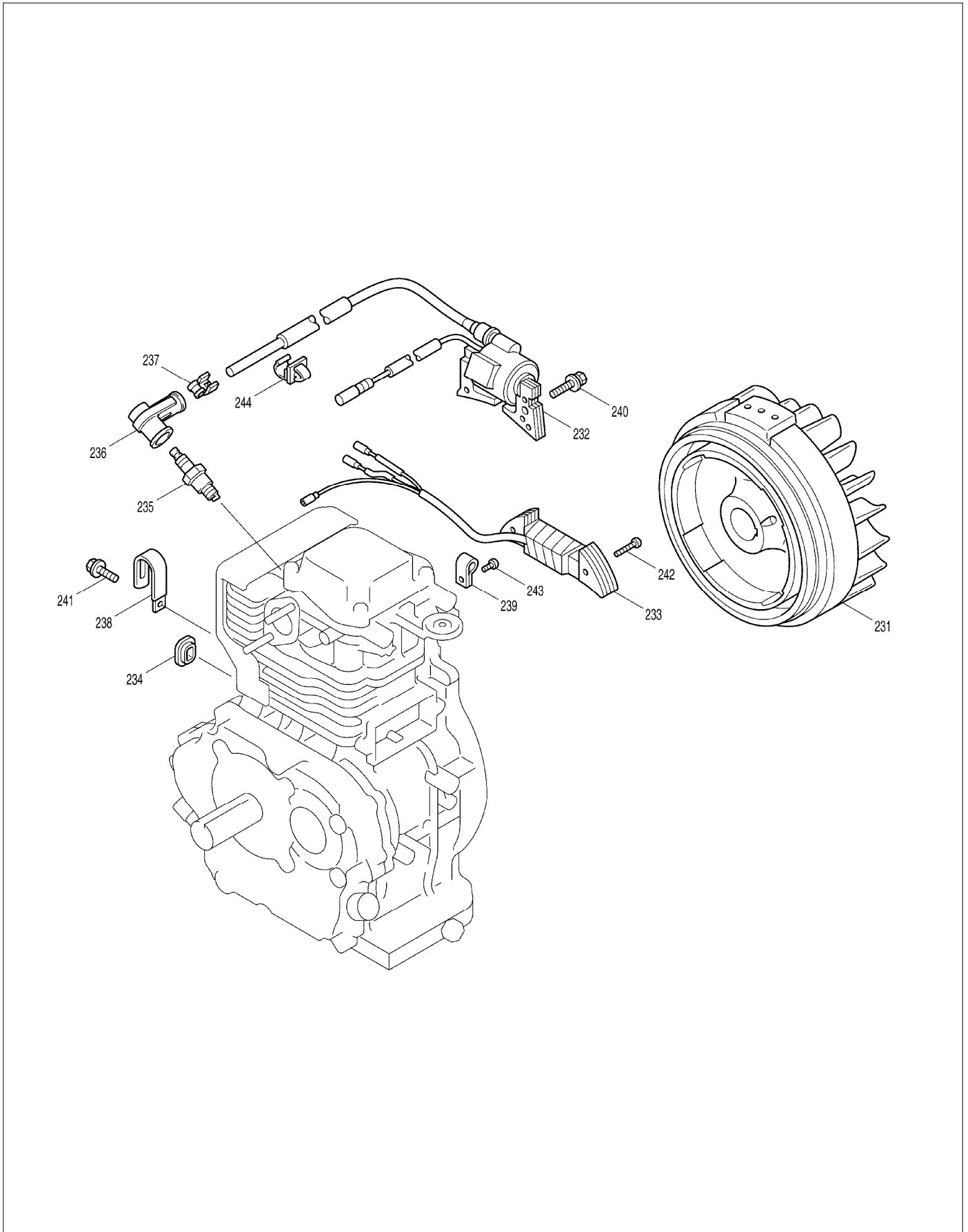
SERVICE DRAWING

MODEL NO. G4100R



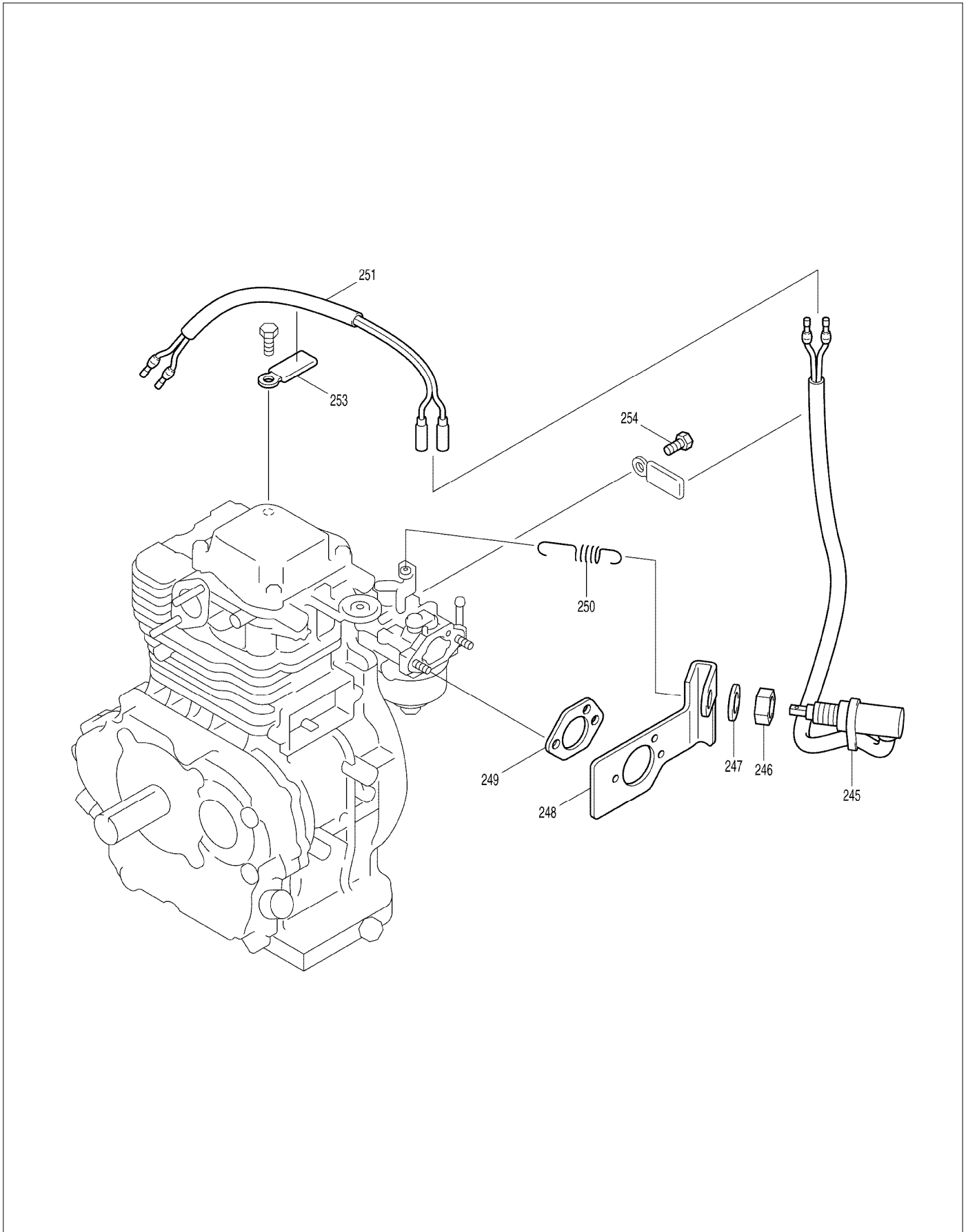
SERVICE DRAWING

MODEL NO. G4100R



SERVICE DRAWING

MODEL NO. G4100R



SERVICE DRAWING

MODEL NO. G4100R

