

SPARE PARTS LIST

PAGE 1

MODEL NO. G2800R

ITEM	PART NO.	DESCRIPTION	QTY	NOTE
001	31B5102101	FRONT COVER	1	
002	0011408200	BOLT & WASHER ASS'Y	4	
003	31E5100001	ROTOR COMPLETE INC. 4,5	1	
004	3535820808	BALL BEARING 6203ZZ	1	
005	3805437408	DIODE	3	
006	31E5300001	THROUGH BOLT	1	
007	31B5112201	STATOR COMPL.FOR 50HZ-230V	1	
008	31B5102201	REAR COVER	1	
009	31B5102301	STATOR COVER	1	
010	3912900013	BUSHING	1	
011	3665830508	COVER BOLT(M6X110MM)	3	
012	0032006000	SPRING WASHER	3	
013	0023808000	FLANGE NUT	2	
014	30G4910608	LABEL(EARTH)	1	
015	31B3130101	PIPE FRAME, COMPLETE	1	
016	31B9320103	LABEL(MODEL)	1	
017	3773700011	RUBBER MOUNT UNIT(GENERATOR)	2	
018	3773700111	RUBBER MOUNT UNIT(ENGINE)	2	
019	0023808000	FLANGE NUT	4	
020	31B6910101	STOPPER PLATE	1	
021	0110060030	FLANGE BOLT M6X1.0X14DX14L	1	
022	0021704000	Anyacsavar RBL250	1	
023	0032004000	SPRING WASHER	1	
024	3905441601	EARTH CORD COMPLETE	1	
025	3763910001	SCREW & WASHER ASS'Y	1	
026	0732004860	LABEL(HOT&GAS)	1	
027	30G4910608	LABEL(EARTH)	1	
028	31B7212700	CONTROL BOX ASS'Y INC. 29-63	1	
029	31B4210101	CONTROL BOX	1	
030	31B7750401	CONDENSER	1	
031	30G4760508	CONDENSER BRACKET	2	
032	0043504100	SCREW & WASHER ASS'Y	1	
033	3895998908	SCREW & WASHER ASS'Y	1	
034	0021704000	Anyacsavar RBL250	2	
035	3914900303	GROMMET	1	
036	3534580408	DIODE STACK ASS'Y	1	
037	0150040070	TAPPING SCREW	1	
038	0031004000	WASHER	1	
039	0011406160	BOLT & WASHER ASS'Y	3	
040	31B7205900	CONTROL PANEL ASS'Y INC. 41-63	1	
041	31B7205001	CONTROL PANEL COMPL.	1	
042	31B7300403	CIRCUIT BREAKER	1	
043	31B7901103	SCREW AND WASHER ASS'Y	4	
044	3914790011	AC VOLTMETER (200V CLASS)	1	
045	3884980108	NUT (M3)	2	
046	3884574608	AC RECEPTACLE 250V-16A	2	
047	0043103150	SCREW	8	
048	0032003000	SPRING WASHER	8	
049	0031003000	WASHER	8	
050	0021703000	NUT(M5)	8	
051	31B7750501	SWITCH	1	
052	3634570008	TERMINAL BOLT (BLACK)	1	
053	3634570108	TERMINAL BOLT (RED)	1	
054	3205985508	FUSE HOLDER	1	
055	31C7510303	FUSE(10A)	1	

SPARE PARTS LIST

PAGE 2

MODEL NO. G2800R

ITEM	PART NO.	DESCRIPTION	QTY	NOTE
056	3534990108	WING NUT	1	
057	3320005008	SPRING WASHER	2	
058	3534990308	WASHER	1	
059	3725995008	LOCK WASHER	1	
060	3534990208	NUT	1	
061	3564990708	SCREW	1	
062	0732004490	LABEL(ELECTRIC SHOKE)	1	
063	3534990408	TAPPING SCREW(M4X10MM)	6	
064	31B3600501	FUEL TANK	1	
065	0648000500	FUEL GAUGE	1	
066	0145050040	SCREW	2	
067	0430590011	FUEL TANK CAP, COMPLETE	1	
068	0641540011	FUEL FILTER	1	
069	3913900013	RUBBER (TANK)	4	
070	0110060220	FLANGE BOLT	4	
071	0642010001	Strainer, Tank INC. 72-77,243	1	
072	0642001420	FILTER	1	
073	0642001430	PACKING	1	
074	0642001410	CUP	1	
075	0642010030	LOCK NUT	1	
076	0642000330	O-RING	2	
077	0642002790	LOCK BOLT	1	
078	2696260301	FUEL PIPE 3,COMPLETE INC. 79,80	1	
079	2696800203	RUBBER PIPE	1	
080	0561110020	HOSE CLAMP 11D	2	
081	0732004510	LABEL(SYMBOL-TANK)	1	
082	0732004520	OIL CAUTION LABEL	1	
083	31B8410403	LABEL(94)	1	
084	31B8215103	LABEL(SPEC)	1	
085	31B1100111	MUFFLER COMPL	1	
086	31B1200101	MUFFLER COVER1	1	
087	31B1300103	MUFFLER COVER2	1	
088	31B6112501	MUFFLER STAY	1	
089	2693520101	GASKET COMPL	1	
090	0170080030	NUT	2	
091	0011508200	BOLT AND WASHER ASS'Y	4	
092	0011106100	BOLT AND WASHER ASS'Y	8	
093	2691010121	CRANKCASE COMPL INC. 94-97	1	
094	0440250070	OIL SEAL	1	
095	0600250010	BALL BEARING BB-6205	1	
096	0310060020	DOWEL PIN	2	
097	0440080010	OIL SEAL	1	
098	0401140030	PLUG	2	
099	0211140020	GASKET	2	
100	2531101301	MAIN BEARING COVER COMPLETE INC. 101,102	1	
101	0440250160	OIL SEAL	1	
102	0600250010	BALL BEARING BB-6205	1	
103	2274500301	GOVERNOR GEAR COMPLETE	1	
104	2054190103	GOVERNOR SLEEVE	1	
105	2696360103	OIL GAUGE	1	
106	2776360108	GASKET	1	
107	2691600103	GASKET	1	
108	0130060040	BOLT & WASHER ASS'Y	8	
109	2691300121	CYLINDER HEAD COMPL	1	

SPARE PARTS LIST

PAGE 3

MODEL NO. G2800R

ITEM	PART NO.	DESCRIPTION	QTY	NOTE
		INC. 110-114		
110	2371420203	VALVE GUIDE (OVERSIZE)	2	
111	2771601001	STEM SEAL	1	
112	0105080290	MUFFLER STUD	2	
113	0105060131	STUD	1	
114	0013906600	STUD	1	
115	2531500123	GASKET (HEAD)	1	
116	0110080100	FLANGE BOLT	4	
117	2691550303	ROCKER COVER	1	
118	2691600403	GASKET (ROCKER COVER)	1	
119	0310060020	DOWEL PIN	2	
120	0110060020	FLANGE BOLT M6X1.0X14DX12L	4	
121	2531430111	BREATHER COVER COMPLETE	1	
122	2531440111	BREATHER PLATE COMPLETE	1	
123	2531600633	GASKET,BREATHER COVER	2	
124	0851080000	RUBBER PIPE	1	
125	0023808000	FLANGE NUT	2	
126	0110060030	FLANGE BOLT M6X1.0X14DX14L	2	
127	2532070101	CRANKSHAFT	1	
128	0230250110	SPACER T=0.6	1	
129	0230250120	SPACER T=0.8	1	
130	0230250130	SPACER T=1.0	1	
131	0021814000	NUT	1	
132	0032014000	SPRING WASHER	1	
133	0323030010	WOODRUFF KEY	1	
134	2532250120	CONNECTING ROD ASS'Y	1	
		INC. 135		
135	2512300103	CONNECTING ROD BOLT	2	
136	2692330113	PISTON PIN	1	
137	26923401H7	PISTON (STD) SET	1	
138	2692340203	PISTON (OVERSIZE 0.25MM)	1	
139	2692340303	PISTON (OVERSIZE 0.50MM)	1	
140	2532350127	PISTON RING SET(FOR STD)	1	
141	2532350227	PISTON RING SET(OVERSIZE.25MM)	1	
142	2532350327	PISTON RING SET(OVERSIZE.50MM)	1	
143	0565160010	CLIP	2	
144	2533170111	CAMSHAFT COMPLETE	1	
		INC. 145-149		
145	2273640113	RELEASE LEVER	1	
146	2273870103	RETURN SPRING	1	
147	2273860123	PIN 3.8DX7.5DX14L	1	
148	0031522000	SNAP RING	1	
149	0051904100	SPRING PIN	1	
150	2393330113	TAPPET	2	
151	2693340103	INTAKE VALVE	1	
152	2693350103	EXHAUST VALVE	1	
153	2533360103	VALVE SPRING	2	
154	2693370103	SPRING RETAINER	2	
155	13210KA031	COLLET VALVE	4	
156	2693530103	PUSH ROD	2	
157	2693600103	ROCKER ARM	2	
158	2693580103	BOLT (PIVOT)	2	
159	0170060090	601106X0.75X5.1H	2	
160	2693650103	GUIDE PLATE	1	
161	2533300111	INTAKE PIPE COMPL	1	
		INC. 162		
162	0105060230	STUD	2	
163	2533261420	AIR CLEANER ASS'Y	1	

SPARE PARTS LIST

PAGE 4

MODEL NO. G2800R

ITEM	PART NO.	DESCRIPTION	QTY	NOTE
		INC. 164-166		
164	2363263008	PACKING	1	
165	2533260107	ELEMENT SET	1	
166	2073269008	GROMMET	1	
167	2533290103	INSULATOR	1	
168	2533590103	GASKET 3 (INSULATOR)	1	
169	2823590103	GASKET	1	
170	0110060130	FLANGE BOLT	1	
171	2373590303	GASKET 2 (INSULATOR)	1	
172	0023806000	FLANGE NUT M6	2	
173	2694390101	KNOB COMPL	1	
174	2263921200	NUT AND WASHER ASS'Y	2	
175	2534230123	GOVERNOR LEVER	1	
176	2274220103	GOVERNOR SHAFT	1	
177	0031306000	CLIP	2	
178	2534250233	GOVERNOR SPRING	1	
179	2534270101	GOVERNOR ROD	1	
180	2534280103	ROD SPRING	1	
181	2274331013	SPEED CONTROL	1	
182	0043106300	SCREW	1	
183	2374500423	SPRING(ADJUST)	1	
184	0011406300	BOLT AND WASHER ASS'Y	1	
185	0186060020	NUT M6X1.0X4.9H	1	
186	0031108000	WASHER	2	
187	0011306120	BOLT ASS'Y M6X12	1	
188	2535129101	BLOWER HOUSING COMPLETE 2	1	
189	0732005000	MAKITA LABEL	1	
190	0110060020	FLANGE BOLT M6X1.0X14DX12L	5	
191	2535270203	HEAD COVER	1	
192	2695020120	RECOIL STATER ASS'Y	1	
		INC. 193-201		
193	2705011508	SPIRAL SPRING	1	
194	2695012008	REEL	1	
195	2695011208	STARTER ROPE	1	
196	2615010008	STARTER KNOB	1	
197	2705012508	RATCHET	2	
198	2275013108	FRICTION SPRING	1	
199	2695014518	STARTER PULLEY	1	
200	2705026108	RATCHET GUIDE	1	
201	2275015208	SET SCREW	1	
202	0110060010	Flange Bolt	4	
203	0110060030	FLANGE BOLT M6X1.0X14DX14L	1	
204	2536235710	CABURETOR ASS'Y	1	
		INC. 205-228		
205	2206253608	THROTTLE VALVE #160	1	
206	2376245108	SCREW	2	
207	2366252808	VALVE(CHOKE)	1	
208	2376245108	SCREW	2	
209	2146242208	PILOT JET	1	
210	2376243508	ADJUSTER	1	
211	2536252008	CHOKE LEVER	1	
212	2346255008	RING	1	
213	2536253008	SHAFT ASS'Y	1	
214	2366245108	BOLT	1	
215	2266255008	RING	1	
216	1616235208	NEEDLE VALVE	1	
217	2366251008	FLOAT PIN	1	
218	2366255108	FLOAT CHAMBER	1	

SPARE PARTS LIST

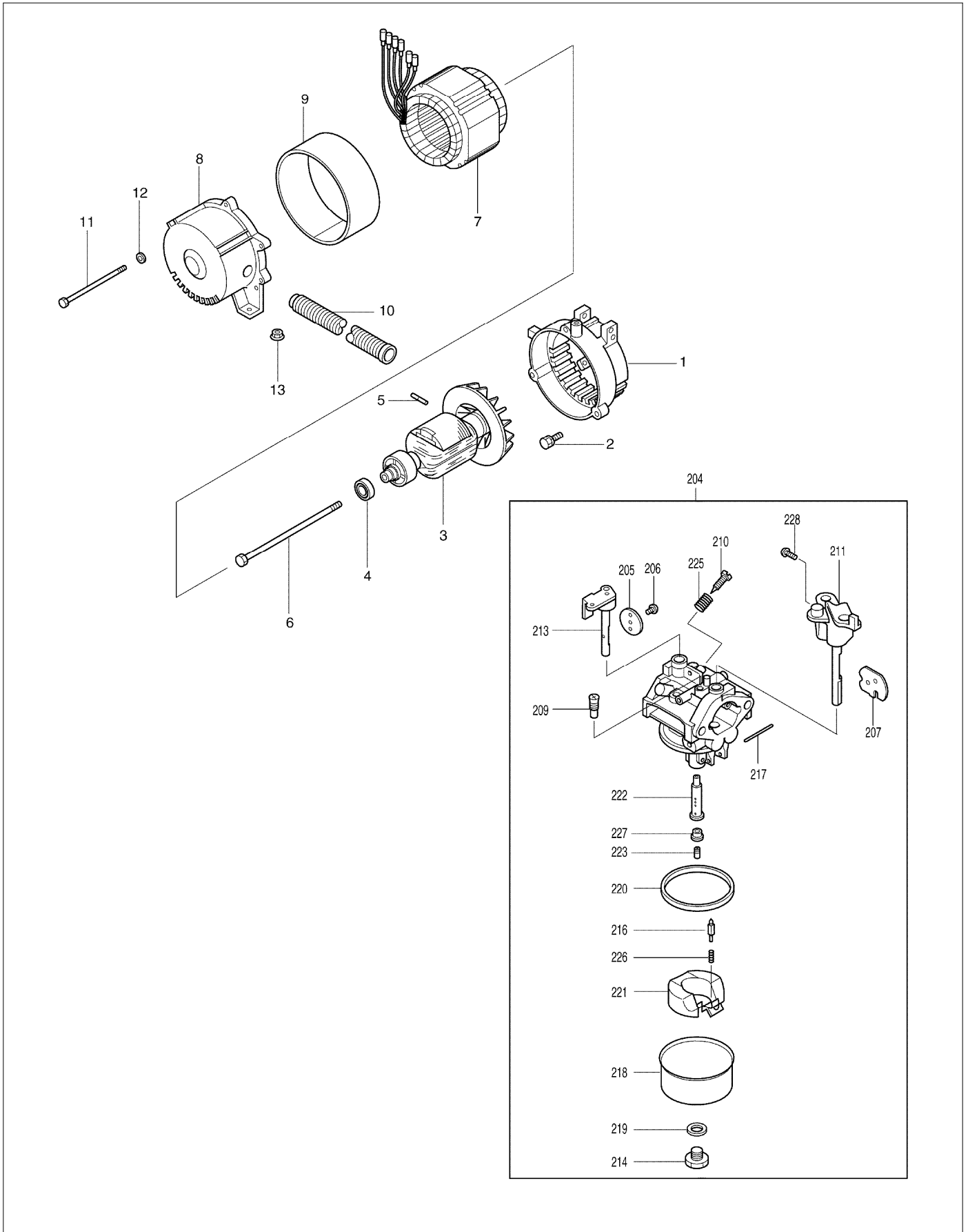
PAGE 5

MODEL NO. G2800R

ITEM	PART NO.	DESCRIPTION	QTY	NOTE
219	2366245008	PACKING	1	
220	2366254008	PACKING (CHAMBER)	1	
221	2366250508	FLOAT	1	
222	2386244008	MAIN NOZZLE	1	
223	2366240008	MAIN JET	1	
224	2466243508	ADJUST SCREW	1	
225	2096244508	SPRING	2	
226	2366244508	SPRING	1	
227	2356242508	GUIDE HOLDER	1	
228	2426232308	SCREW	1	
229	2697933001	FLYWHEEL COMPLETE	1	
230	2697943011	IGNITION COIL COMPL	1	
231	0650140150	Gyújtógyertya	1	
232	0655000140	SPARK PLUG CAP	1	
233	0659000010	PLUG TERMINAL	1	
234	0566000190	CLAMP	1	
235	0011406250	BOLT & WASHER ASS'Y	2	
236	0566120050	CLAMP	1	
237	0011008160	Bolt and Washer Ass'y	1	
238	KS31101001	OIL SENSOR	1	
239	2547310401	WIRE 4,COMPLETE	1	
240	0566000250	CLAMP	2	
241	2531750113	SHELTER PLATE	1	
242	0043505100	SCREW & WASHER ASS'Y	2	
243	0642003230	SPRING	1	
A01	2279030110	TOOL KIT	1	

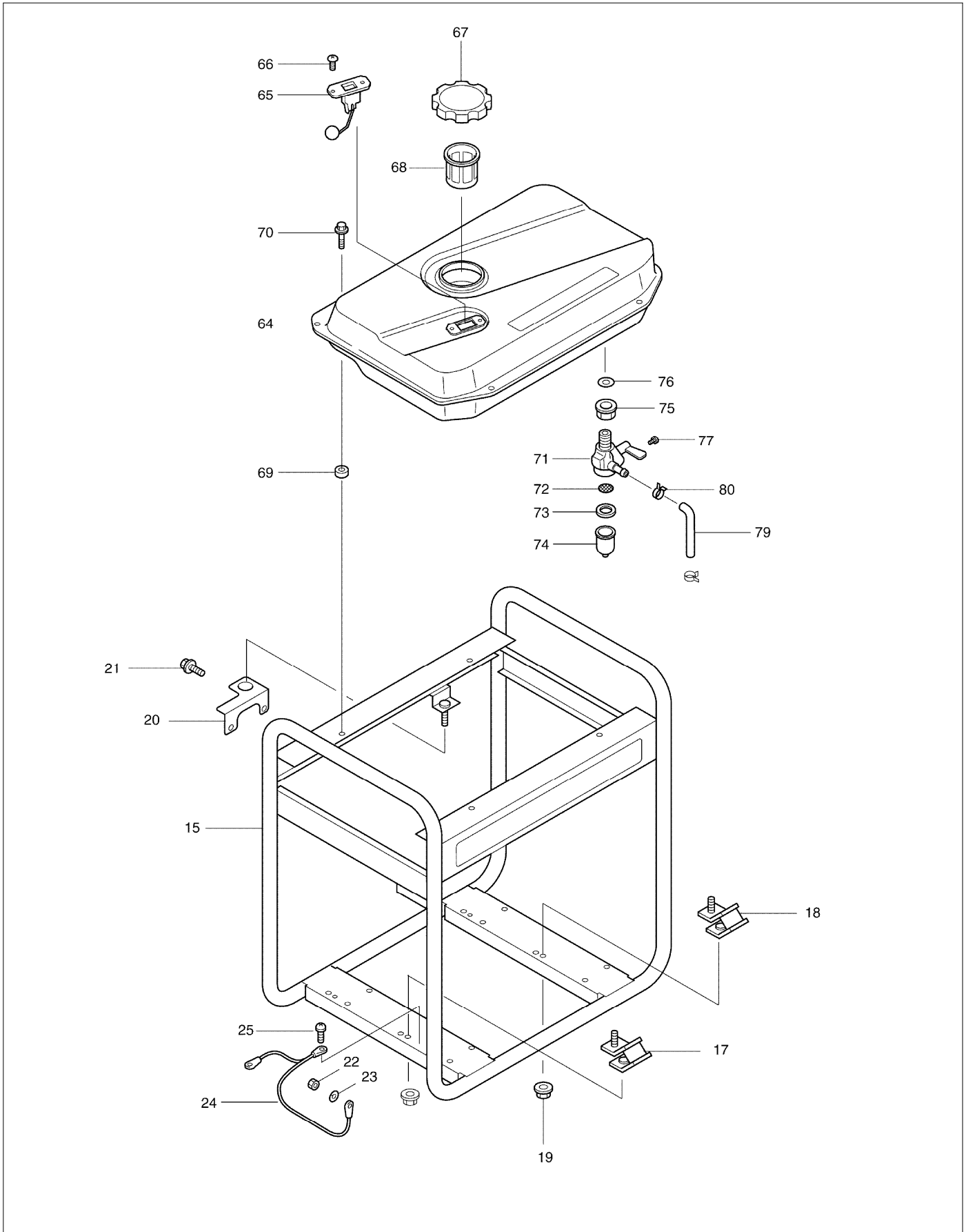
SERVICE DRAWING

MODEL NO. G2800R



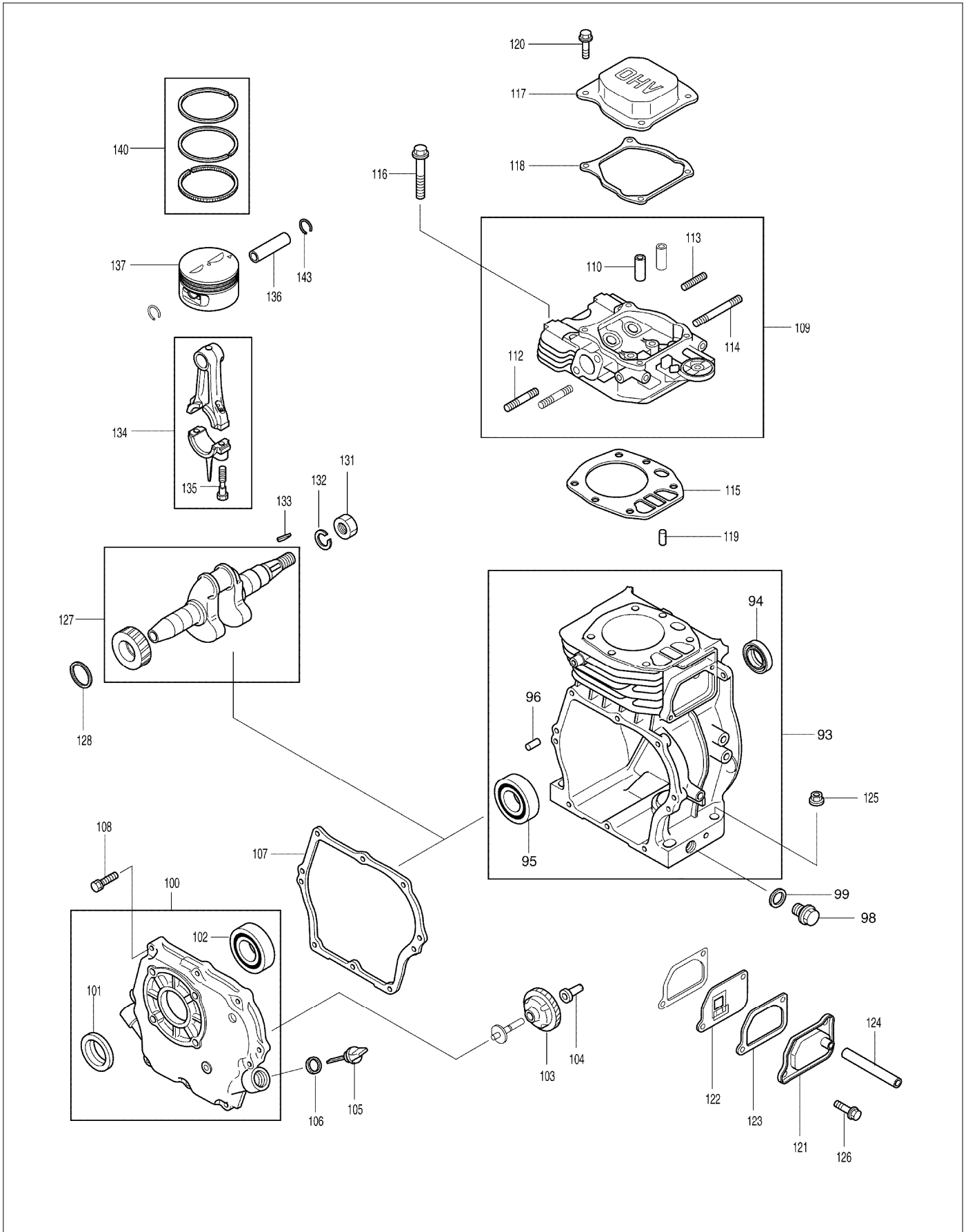
SERVICE DRAWING

MODEL NO. G2800R



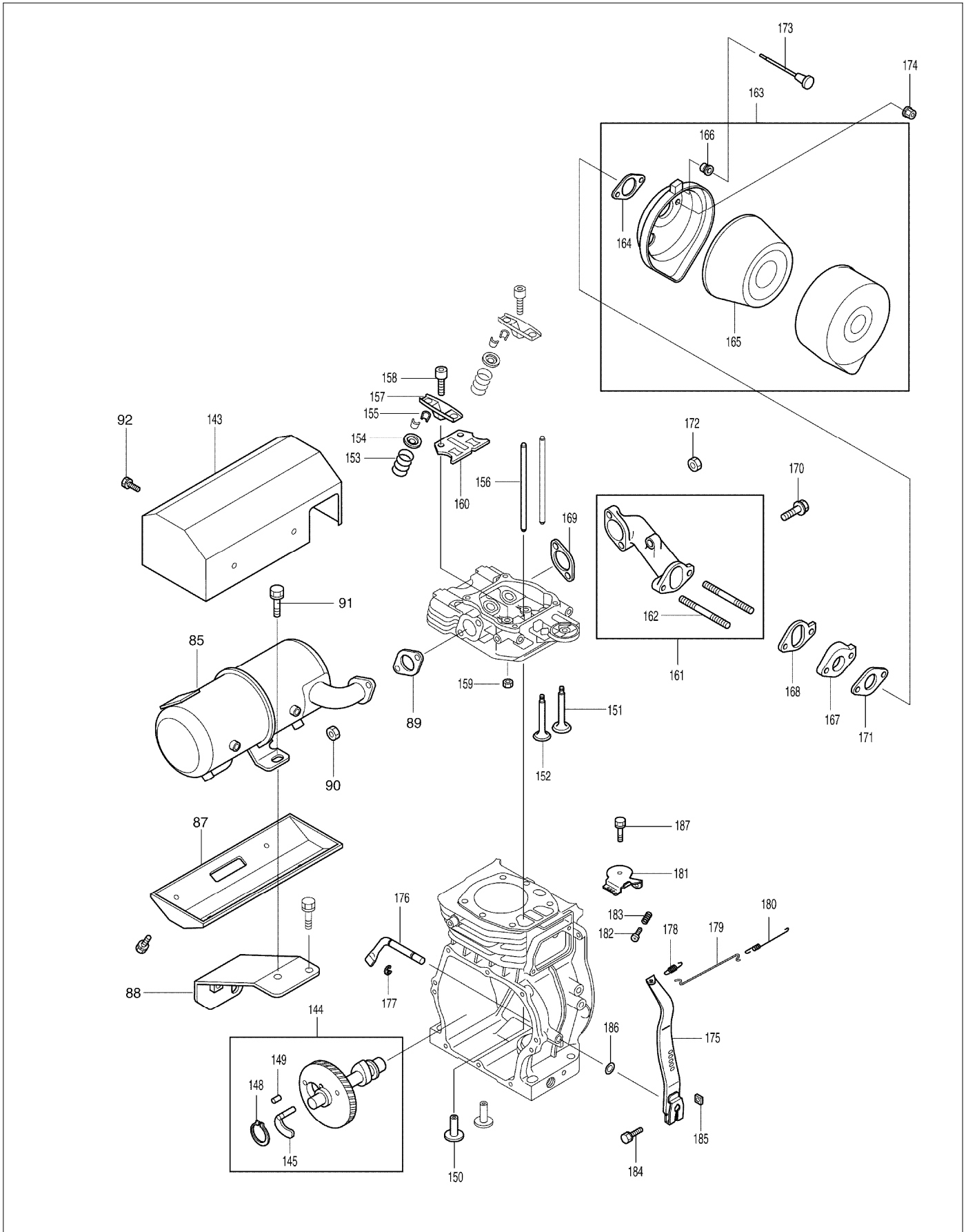
SERVICE DRAWING

MODEL NO. G2800R



SERVICE DRAWING

MODEL NO. G2800R



SERVICE DRAWING

MODEL NO. G2800R

