

# SPARE PARTS LIST

PAGE 1

MODEL NO. EBH252U

ITEM	PART NO.	DESCRIPTION	QTY	NOTE
001	125544-0	Control lever INC. 2-15,221	1	
002	266326-2	Csavar 4X18	3	
003	451094-2	LEVER CASE	1	
004	638663-8	LEAD UNIT	1	
005	451081-1	CABLE HOLDER	1	
006	451213-0	CORRUGATE TUBE	1	
007	168527-7	CONTROL CABLE	1	
008	451083-7	LOCK OFF LEVER	1	
009	233541-3	TORSION SPRING 7	1	
010	233540-5	TORSION SPRING 11	1	
011	451084-5	THROTTLE LEVER	1	
012	451085-3	SWITCH COVER	1	
013	451082-9	SWITCH LEVER	1	
014	232251-9	LEAF SPRING	1	
015	451093-4	LEVER CASE L	1	
016	266326-2	Csavar 4X18	1	
017	451096-8	HANDLE HALF, RIGHT	1	
018	451095-0	HANDLE HALF, LEFT	1	
019	922256-4	Imbuszcsavar M5x35 2012	1	
020	331862-8	HANDLE CPL.	1	
021	168524-3	KNOB 57	1	
022	318429-9	HANDLE CLAMP	1	
023	318428-1	HANDLE HOLDER	1	
024	233202-5	Nyomórugó 20 HR2400/HR160DWA*	1	
025	318427-3	Pipe Holder	1	
026	318426-5	PIPE CLAMP	1	
027	922241-7	Imbuszcsavar M5x25 922241-7	2	
028	195143-2	Hanger Set INC. 29	1	
029	911233-1	Trapézfeju csavar M5x20 911233	1	
030	451526-9	WIRE CLAMP	2	
031	140041-5	SHAFT PIPE COMPLETE	1	
032	810536-9	CAUTION LABEL	1	
033	806904-2	HR1830 Serial Number Label	1	
034	922256-4	Imbuszcsavar M5x35 2012	1	
035	324893-4	SHAFT	1	
036	922218-2	HEX. SOCKET BOLT M5x14	2	
037	125556-3	GEAR CASE ASS'Y INC. 40-46,49-54	1	
040	210049-4	BALL BEARING 609ZZ	1	
041	961005-4	Seeger-gyuru S-9 961005-4*	1	
042	962103-7	RETAINING RING R-24	1	
043	922241-7	Imbuszcsavar M5x25 922241-7	1	
044	265590-2	+HEX.BOLT M8X10 WITH R	1	
045	211019-6	Golyóscsapágy 626	1	
046	188866-9	CUTTER SHAFT SET	1	
049	210115-7	BALL BEARING 6001LLU	1	
050	962106-1	Seeger-gyuru R-28 962106-1	1	
051	331861-0	RECEIVE WASHER	1	
052	346084-7	CLAMP WASHER	1	
053	168526-9	CUP	1	
054	264025-0	HEX. NUT M10-17	1	
055	451098-4	PROTECTOR	1	
056	451097-6	COVER PROTECTOR	1	
057	922353-6	Imbuszcsavar M6x30 922353-6	2	
058	346073-2	PROTECTOR CLAMP	1	
059	266326-2	Csavar 4X18	1	

# SPARE PARTS LIST

PAGE 2

MODEL NO. EBH252U

ITEM	PART NO.	DESCRIPTION	QTY	NOTE
060	346074-0	CUTTER	1	
061	135361-0	PROTECTOR EXTENSION INC. 59,60	1	
062	922226-3	Imbuszcsavar M5X18	2	
063	922211-6	HEX. SOCKET HEAD BOLT M5x12	1	
064	424191-7	PIPE DAMPER (1)	1	
065	318270-0	PIPE BRACKET (1)	1	
066	318271-8	PIPE BRACKET (2)	1	
067	424107-2	PIPE DAMPER (2)	1	
068	922222-1	Imbuszcsavar M5x16 922222-1	3	
069	318329-3	CLUTCH CASE	1	
070	450569-8	SPACER	1	
071	961052-5	Seeger-gyuru S-12 961052-5	1	
072	168475-0	CLUTCH DRUM	1	
073	210111-5	BALL BEARING	1	
074	962151-6	Seeger-gyuru R-32 962151-6*	1	
075	195144-0	Stand Set INC. 76	1	
076	911218-7	Trapézfeju csavar M5x14 9741/2	2	
077	911213-7	Trapézfeju csavar M5x12 911213	2	
078	450654-7	CYLINDER COVER	1	
079	819312-8	MAKITA Logo Label	1	
080	450568-0	PLUG COVER	1	
081	808633-3	4 STROKE INDICATION LABEL	1	
083	911128-8	Trapézfeju csavar M4x16 911128	2	
084	266440-4	HEX. SOCKET HEAD BOLT M5x40	2	
085	265184-3	Screw	1	
086	345915-7	MUFFLER CPL.	1	
087	168469-5	EXHAUST MUFFLER	1	
088	345916-5	MUFFLER GASKET	1	
089	140023-7	ROCKER COVER COMPLETE	1	
090	162275-0	Rocker Cover Gasket	1	
091	922223-9	Hex. Socket Head Bolt M5x16	3	
092	168534-0	Spark Plug	1	
093	162274-2	Cam Gear Cover Gasket	1	
094	318443-5	Cam Gear Cover	1	
095	266495-9	HEX. SOCKET HEAD BOLT M5x14	3	
096	450565-6	OIL GAUGE	1	
097	424100-6	Gasket	1	
098	162276-8	Case Gasket	1	
099	318442-7	OIL CASE	1	
100	266495-9	HEX. SOCKET HEAD BOLT M5x14	4	
101	325666-8	Oil Weight	1	
102	424202-8	OIL TUBE	1	
103	282020-8	HOSE CLAMP	1	
104	922111-0	Csavar M4X10	1	
105	318440-1	Retainer Plate	1	
106	346083-9	Lead Valve	1	
107	135375-9	CYLINDER BLOCK ASSY INC. 108-110	1	
108	424201-0	CHECK VALVE	2	
109	266495-9	HEX. SOCKET HEAD BOLT M5x14	8	
110	424200-2	SPACER	2	
111	125554-7	Rocker Arm Ass'y	2	
112	325668-4	Spring Retainer	2	
113	234108-0	COMPRESSION SPRING 9	2	
114	256200-2	PIN 5	1	
115	325670-7	Intake Valve	1	

# SPARE PARTS LIST

PAGE 3

MODEL NO. EBH252U

ITEM	PART NO.	DESCRIPTION	QTY	NOTE
116	325669-2	Exhaust Valve	1	
117	125552-1	Cam Gear Ass'y	1	
118	268238-5	PIN 5	1	
119	313169-4	CAM LIFTER	2	
120	268239-3	PIN 4	1	
121	256865-0	ROD 2.5	2	
122	195145-8	PISTON RING SET	1	
123	233976-8	Clip	2	
124	318441-9	PISTON	1	
125	257781-9	PISTON PIN	1	
126	213147-3	OIL SEAL 12	1	
127	267400-9	FLAT WASHER 23	1	
128	135374-1	CRANK SHAFT COMPLETE	1	
129	213148-1	OIL SEAL 10	1	
130	424105-6	PLUG CAP	1	
131	324891-8	PLUG CAP SPRING	1	
132	168501-5	IGNITION COIL	1	
133	922138-0	HEX. SOCKET HEAD BOLT M4x20	2	
134	318343-9	FLYWHEEL	1	
135	267812-6	FLAT WASHER 6	2	
136	168498-8	Clutch Shoe	2	
137	267817-6	FLAT WASHER 8	2	
138	266457-7	Shoulder Hex. Bolt M6 EBH252U	2	
139	265577-4	HEX. SOCKET HEAD BOLT M6x16	1	
140	231858-8	Tension Spring 6	1	
141	125472-9	FUEL TANK CAP INC. 142,143	1	
142	140435-4	FUEL TANK CAP	1	
143	140436-2	STRAP COMPLETE	1	
144	810455-9	CAUTION LABEL	1	
145	424102-2	PLATE	1	
146	424103-0	PLATE	1	
147	424104-8	Damper	1	
148	450566-4	FUEL TANK CPL.	1	
149	163447-0	GASOLIN FILTER	1	
150	345920-4	HOSE CLAMP	1	
151	168472-6	Tube complete	1	
152	195146-6	RECOIL STARTER SET INC. 153-160	1	
153	168483-1	PULLEY	1	
154	266585-8	TAPPING SCREW 5X12	1	
155	451938-6	COLLAR	1	
156	451937-8	REEL	1	
157	232258-5	SPIRAL SPRING	1	
158	325923-4	SWING ARM	1	
159	424319-7	STARTER KNOB	1	
160	444019-3	STARTER ROPE	1	
161	809115-8	MODEL LABEL	1	
162	265188-5	SCREW	2	
163	345919-9	PLATE	1	
164	423376-2	Gasket	1	
165	450560-6	Choke Plate	1	
166	911218-7	Trapézfeju csavar M5x14 9741/2	1	
167	450561-4	AIR CLEANER COVER	1	
168	443141-3	Air Cleaner Element	1	
169	443140-5	Air Cleaner Element	1	
170	345918-1	HOSE CLAMP	1	
171	422041-0	Breather Pipe	1	

# SPARE PARTS LIST

MODEL NO. EBH252U

ITEM	PART NO.	DESCRIPTION	QTY	NOTE
172	422042-8	PIPE	1	
173	125468-0	CLEANER PLATE INC. 173-181	1	
174	451925-5	CHOKE LEVER	1	
175	213540-1	O RING 15	1	
176	424316-3	CHECK VALVE	1	
177	213539-6	O RING 14	1	
178	451924-7	CHECK VALVE PLATE	1	
179	424315-5	CHECK VALVE	1	
180	168577-2	SEPARATOR GASKET	1	
181	168576-4	SEPARATOR PLATE	1	
182	413121-3	CARBURETOR GASKET	1	
183	922228-9	HEX.SOCKET HEAD BOLT M5X18	2	
184	450559-1	INSULATOR	1	
187	324961-3	INTAKE PIPE	1	
188	413120-5	INSULATOR GASKET	1	
189	213078-6	O-RING 10	1	
190	922213-2	HEX.SOCKET HEAD BOLT M5X12	1	
191	450562-2	CLAMP	1	
193	168497-0	Carburetor INC. 194,196-210	1	
194	140437-0	PUMP BODY INC. 195	1	
195	352010-6	INLET SCREEN	1	
196	442154-1	METERING DIAPHRAGM GASKET	1	
197	168574-8	METERING DIAPHRAGM	1	
198	140438-8	AIR PURGE BODY	1	
199	424314-7	PRIMER PUMP	1	
200	346270-0	PRIMER PUMP COVER	1	
201	266582-4	TAPPING SCREW 3X24	4	
202	168575-6	PUMP DIAPHRAGM	1	
203	442155-9	PUMP GASKET	1	
204	325924-2	JET	1	
205	213538-8	O RING 2	1	
206	234183-6	CONICAL COMPRESSION SPRING 5-9	1	
207	266581-6	PAN HEAD SCREW M3X8 WITH W	2	
208	325922-6	SWIVEL	1	
209	413140-9	WASHER	1	
210	257964-1	STOP RING E-3	1	
211	806902-6	Engine Label EBH252U	1	
212	345964-4	TANK GUARD	1	
213	806903-4	EBH252 Serial Number Label	1	
214	911148-2	Trapézfeju csavar M4x25 911148	2	
215	911213-7	Trapézfeju csavar M5x12 911213	2	
216	331835-1	Spacer	2	
217	345963-6	Clamp	1	
218	638664-6	LEAD UNIT	1	
219	638665-4	LEAD UNIT	1	
220	324980-9	Spark Arrester	1	
221	638671-9	LEAD UNIT	1	
A01	122906-3	BAND ASSY	1	
A02	242072-1	Oil Bottle EBH252U	1	
A03	783013-3	BOX DRIVER	1	
A04	783217-7	HEX. WRENCH 5	1	
A05	783223-2	WRENCH 4	1	
A06	831304-7	Accessory Baguum	1	
A07	450573-7	TOOL COVER	2	
A08	B-14118	STAR BLADE 230X4TX25.4	1	AEPD-002/98

# SPARE PARTS LIST

---

PAGE 5

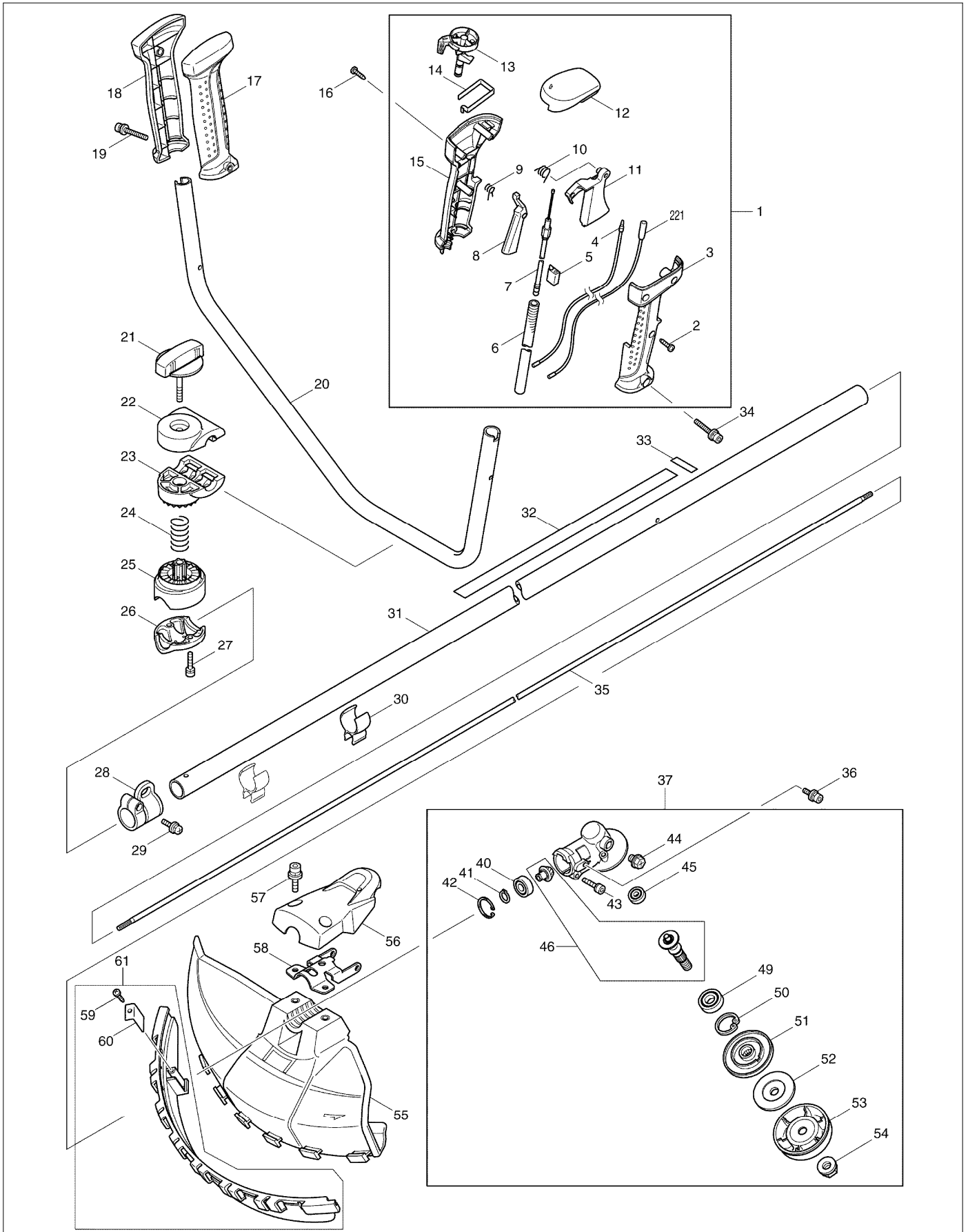
MODEL NO. EBH252U

ITEM	PART NO.	DESCRIPTION	QTY	NOTE
E02	819430-2	CAUTION TAG	1	

---

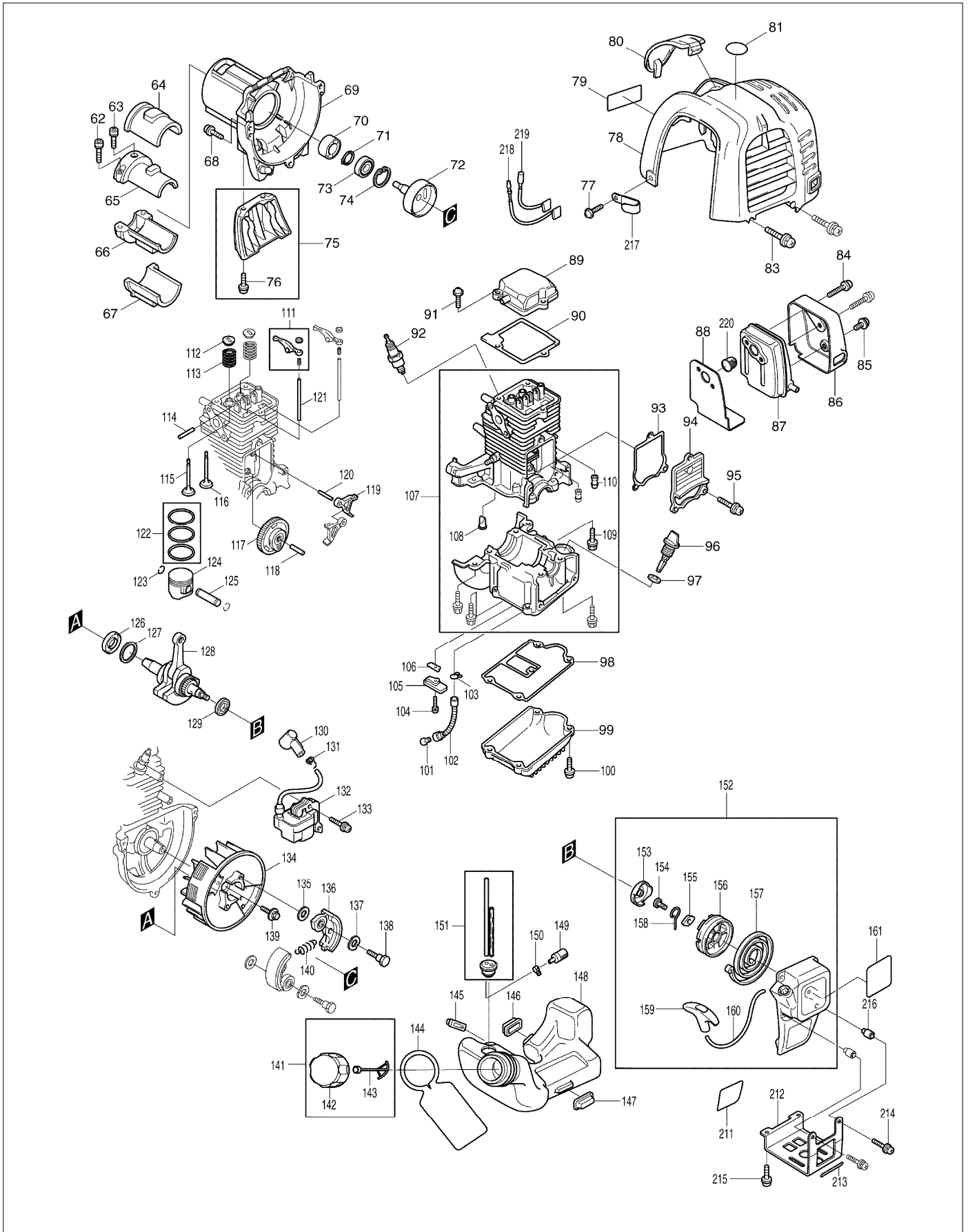
# SERVICE DRAWING

MODEL NO. EBH252U



# SERVICE DRAWING

MODEL NO. EBH252U



# SERVICE DRAWING

MODEL NO. EBH252U

