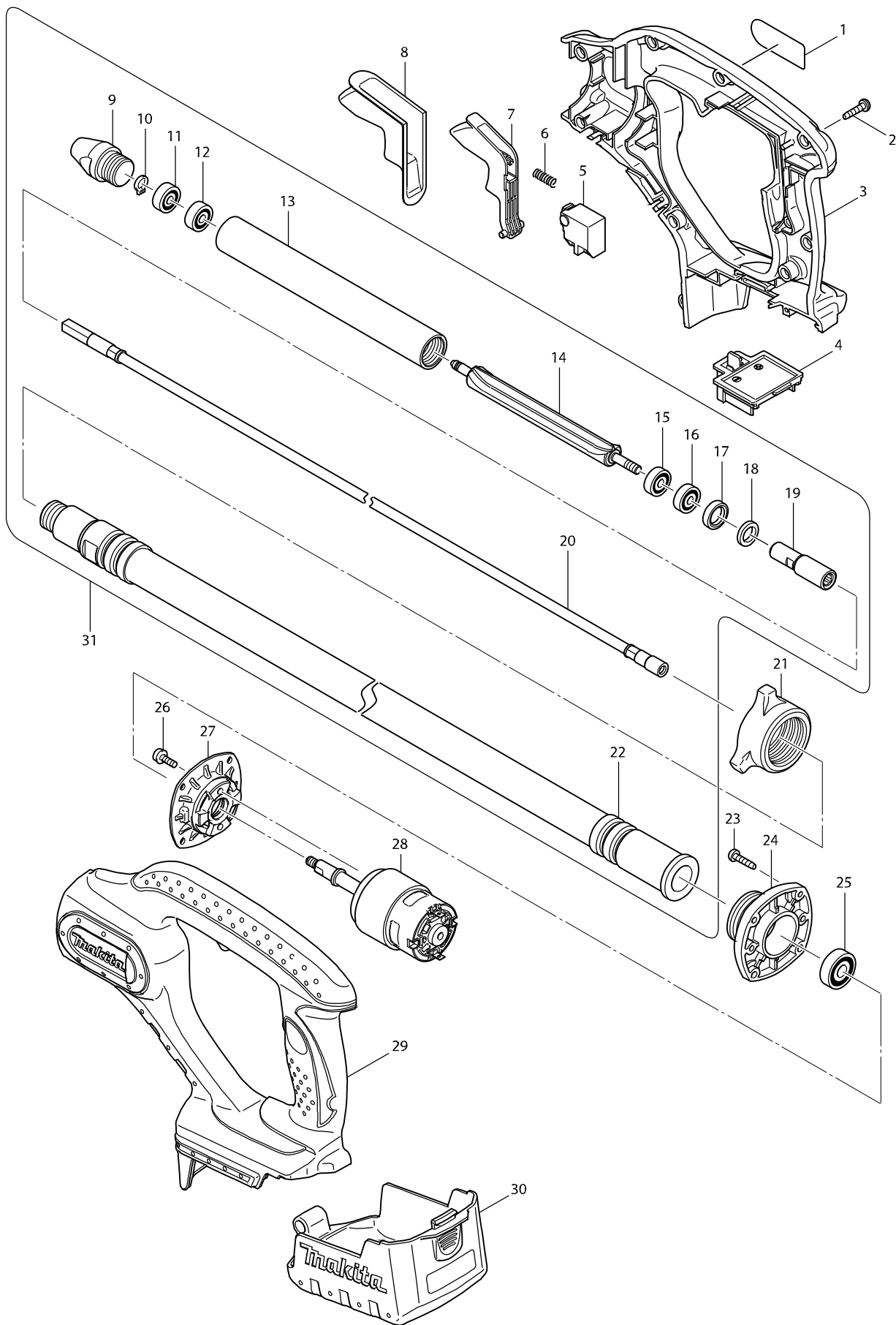


Modellszám DVR450 CORDLESS CONCRETE VIBRATOR



| Tétel | Cikkszám | Megnevezés | Átalai | Menny. | N/O | Opc 1 | Opc 2 | Megjegyzés |
|--------|-----------|------------------------------------|--------|--------|-----|-------|-------|------------|
| 001 | 850D48-4 | DVR450 NAME PLATE | | 1 | | | | |
| 002 | 266045-0 | ÖNMETSZŐ CSAVAR M4X20 | | 9 | | | | |
| 003 | 187867-4 | HOUSING SET | | 1 | | | | |
| D10 | | INC. 29 | | | | | | |
| 004 | 643843-3 | TERMINAL | | 1 | | | | |
| 005 | 650580-2 | SWITCH SGE120C-4 | | 1 | | | | |
| 006 | 231298-0 | NYOMÓRUGÓ 6 HM1500 | | 1 | | | | |
| 007 | 419511-8 | SWITCH LEVER | | 1 | | | | |
| 008 | 421961-5 | WATERPROOF COVER | | 1 | | | | |
| 009 | 322935-8 | SAPKA VR250DWA | | 1 | | | | |
| 010 | 961002-0 | SEEGER-GYŰRŰ S-6 961002-0 | | 1 | | | | |
| 011 | 210018-5 | GOLYÓSCSAPÁGY 626 VR250DWA | | 1 | | | | |
| 012 | 210018-5 | GOLYÓSCSAPÁGY 626 VR250DWA | | 1 | | | | |
| 013 | 331503-6 | CSŐ 25 VR250DWA | | 1 | | | | |
| 014 | 322934-0 | VIBRÁTOR VR250DWA | | 1 | | | | |
| 015 | 211016-2 | GOLYÓSCSAPÁGY 626LLB 211016-2 | | 1 | | | | |
| 016 | 211016-2 | GOLYÓSCSAPÁGY 626LLB 211016-2 | | 1 | | | | |
| 017 | 421578-4 | GUMI GYŰRŰ VR250DWA | | 1 | | | | |
| 018 | 443101-5 | FILC GYŰRŰ VE250DWA | | 1 | | | | |
| 019 | 326203-1 | JOINT | | 1 | | | | |
| 020 | 163534-5 | FLEXIBLE WIRE | | 1 | | | | |
| 021 | 416244-6 | KÜLÖNLEGES ANYA 36 VR250DWA | | 1 | | | | |
| 022 | 163537-9 | FLEXIBLE HOSE | | 1 | | | | |
| 023 | 266045-0 | ÖNMETSZŐ CSAVAR M4X20 | | 4 | | | | |
| 024 | 316893-8 | CSAPÁGYHÁZ VR250DWA | | 1 | | | | |
| 025 | 211056-0 | GOLYÓSCSAPÁGY 629LLB 211056-0 | | 1 | | | | |
| 026 | 911118-1 | TRAPÉZFEJŰ CSAVAR M4X12 911118 | | 2 | | | | |
| 027 | 318867-5 | SUPPORTER | | 1 | | | | |
| 028 | 629947-5 | DC MOTOR | | 1 | | | | |
| 029 | 187867-4 | HOUSING SET | | 1 | | | | |
| D10 | | INC. 3 | | | | | | |
| 030 | 158051-8 | COVER COMPLETE | | 1 | | | | |
| C10 | 810196-7 | CAUTION LABEL | | 1 | | | | |
| 031 | 126206-3 | FLEXIBLE ASSEMBLY | | 1 | | | | |
| D10 | | INC. 9-20,22 | | | | | | |
| A01C | ***DC18RC | DC18RC FAST CHARGER | | 1 | | | | |
| A01D | ***DC18RC | DC18RC FAST CHARGER | | 1 | | | | |
| A01F | ***DC18RC | DC18RC FAST CHARGER | | 1 | | | | |
| A02C | 194204-5 | AKKU BL1830 18V 3,0AH LI-ION AKKUM | | 2 | * | | | |
| A02-1C | 194204-5 | AKKU BL1830 18V 3,0AH LI-ION AKKUM | O | 2 | * | | | |
| A02-1D | 196399-0 | BATTERY BL1840 SET | | 2 | * | | | |
| A02-1F | 197280-8 | BATTERY BL1850B SET | | 2 | | | | |
| A02-2C | 197600-6 | BATTERY BL1830B SET | < | 2 | | | | |
| A02-2D | 197265-4 | BATTERY BL1840B SET | < | 2 | | | | |
| A03C | 141481-0 | PLASTIC CARRYING CASE | | 1 | | | | |
| C10 | 417383-5 | LATCH | | 2 | | | | |
| A03D | 141481-0 | PLASTIC CARRYING CASE | | 1 | | | | |
| C10 | 417383-5 | LATCH | | 2 | | | | |

