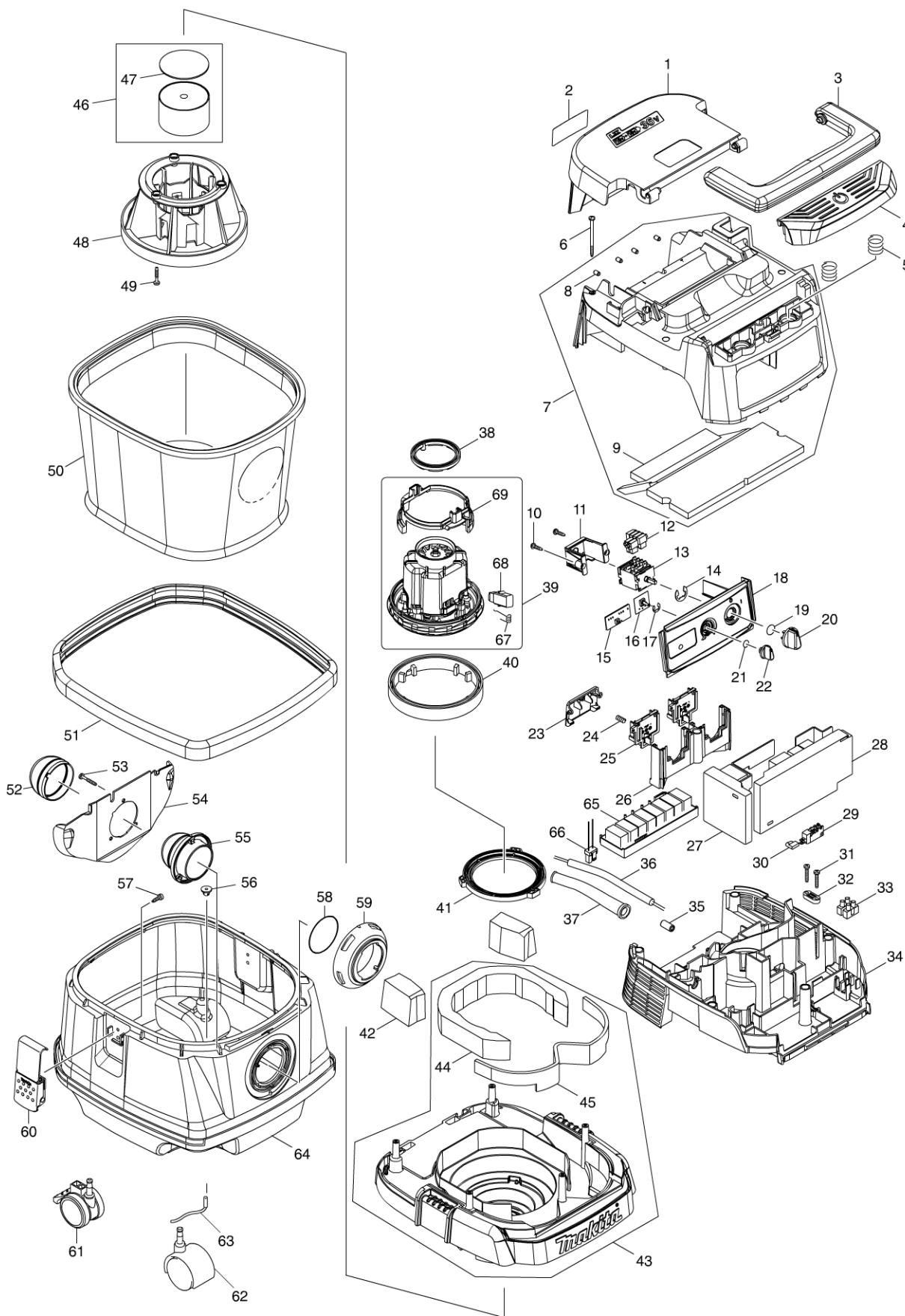


# Modellszám DVC860L AC AND DC VACUUM CLEANER



# Modellszám DVC860L AC AND DC VACUUM CLEANER

Oldal 1 / 2

Tétel	Cikkszám	Megnevezés	Átala	Menny.	N/O	Opc 1	Opc 2	Megjegyzés
001	143174-5	BATTERY COVER COMPLETE		1				
002	850V27-0	DVC860L NAME PLATE		1				
003	455734-4	GRIP		1				
004	455730-2	SWITCH BUTTON		1				
005	234273-5	COMPRESSION SPRING 20		2				
006	266340-8	TAPPING SCREW 4X65		6				
007	143173-7	COWLING COMPLETE		1				
D10		INC. 8,9						
008	263005-3	RUBBER PIN 6		4				
009	424688-6	TOP DAMPER		1				
010	266326-2	TAPPING SCREW 4X18		2				
011	451343-7	SWITCH HOLDER		1				
012	686023-8	RECEPTACLE SLEEVE		6				
013	650745-6	SWITCH		1				
014	961062-2	STOP RING E-12		1				
015	620394-3	LED CIRCUIT		1				
016	631922-9	SUB CONTROLLER		1				
017	961013-5	STOP RING E-7		1				
018	143176-1	SWITCH BASE COMPLETE		1				
019	213176-6	O RING 14		1				
020	455733-6	SWITCH LEVER		1				
021	213054-0	O RING 9		1				
022	451344-5	SWITCH DIAL		1				
023	455728-9	BATTERY COVER HOOK		1				
024	231240-1	COMPRESSION SPRING 7		1				
025	644808-8	TERMINAL		2				
026	455729-7	TERMINAL BASE		1				
027	620406-2	CONTROLLER B		1				
028	620392-7	CONTROLLER A		1				
029	651910-0	SWITCH D2VW-01-3HS		1				
030	686039-3	RECEPTACLE SLEEVE		2				
031	266374-1	TAPPING SCREW 4X25		2				
032	687123-7	STRAIN RELIEF		1				
033	654561-8	TERMINAL BLOCK		1				
034	455726-3	SEPARATER		1				
035	688161-2	LINE FILTER		2				
036	666899-9	POWER SUPPLY CORD 1.0-2-0.55		1				
037	682584-6	CORD GUARD		1				
038	424685-2	RUBBER RING 60		1				
039	629156-6	MOTOR ASSEMBLY		1				
D10		INC. 67-69						
040	424686-0	RUBBER RING 120		1				
041	424687-8	SUPPORT RING		1				
042	424690-9	REAR BLOCK FILTER		2				
043	143175-3	TANK COVER COMPLETE		1				
D10		INC. 44,45						
044	424691-7	BAND DAMPER		1				
045	424689-4	FRONT DAMPER		1				

Kérem az alkatrészt cikkszámmal rendelje meg.

Dátum nyomtatása 2015/11/05

# Modellszám DVC860L AC AND DC VACUUM CLEANER

Oldal 2 / 2

Tétel	Cikkszám	Megnevezés	Átala	Menny.	N/O	Opc 1	Opc 2	Megjegyzés
046	158166-1	FLOAT COMPLETE		1				
D10		INC. 47						
047	423365-7	SPONGE SEAL 70		1				
048	419725-9	FLOAT CAGE		1				
049	266374-1	TAPPING SCREW 4X25		3				
050	140248-3	CLOTH FILTER COMPLETE		1				
051	424230-3	BUMPER		1				
052	424382-0	RUBBER HOLDER		1				
053	266257-5	TAPPING SCREW 4X28		3				
054	419351-4	HOLDER PLATE		1				
055	419350-6	HOLDER		1				
056	421468-1	CORD SEAL		1				
057	266192-7	TAPPING SCREW 4X14		4				
058	213655-4	O RING 56		1				
059	451348-7	INLET		1				
060	168537-4	HOOK		2				
061	168535-8	CASTER 50		2				
062	168434-4	CASTER 50		2				
063	649150-2	EARTH LINE 120		1				
064	451334-8	TANK		1				
065	620502-6	CONTROLLER C		1				
066	632F97-3	LEAD UNIT		1				
067	DM46312612	BRUSH SPRING		2				
068	197208-6	CARBON BRUSH CB-353		1				
069	DM46714602	BRUSH HOLDER		1				
A01	122512-4	NOZZLE ASS'Y		1				
C01	151449-8	ROLLER 40 COMPLETE		2				
C06	415962-3	ROLLER 14		2				
C11	256241-8	PIN 3		2				
C16	265871-4	TAPPING SCREW BT 4X16		6				
C21	154427-7	ELBOW JOINT COMPLETE		1				
C26	415965-7	UPPER NOZZLE		1				
C31	415964-9	JOINT HOLDER		1				
C36	743328-0	BRUSH		1				
C41	743327-2	WIPER		1				
A02	195434-1	HOSE COMPLETE 38-2.5 SET		1				
A03	195432-5	POLY BAG SET		1				
A04	192563-1	STRAIGHT PIPE		1				
A05	192562-3	BENDING PIPE		1				
A06	410306-2	CORNER NOZZLE		1				
A07	451350-0	STOPPER		1				
A08	455732-8	TOOL BOX		1				
A09	911138-5	PAN HEAD SCREW M4X20		1				
A10	661914-4	CONNECTION CORD		1				
E01	891978-6	CAUTION LABEL		1				

Kérem az alkatrészt cikkszámmal rendelje meg.

Dátum nyomtatása 2015/11/05