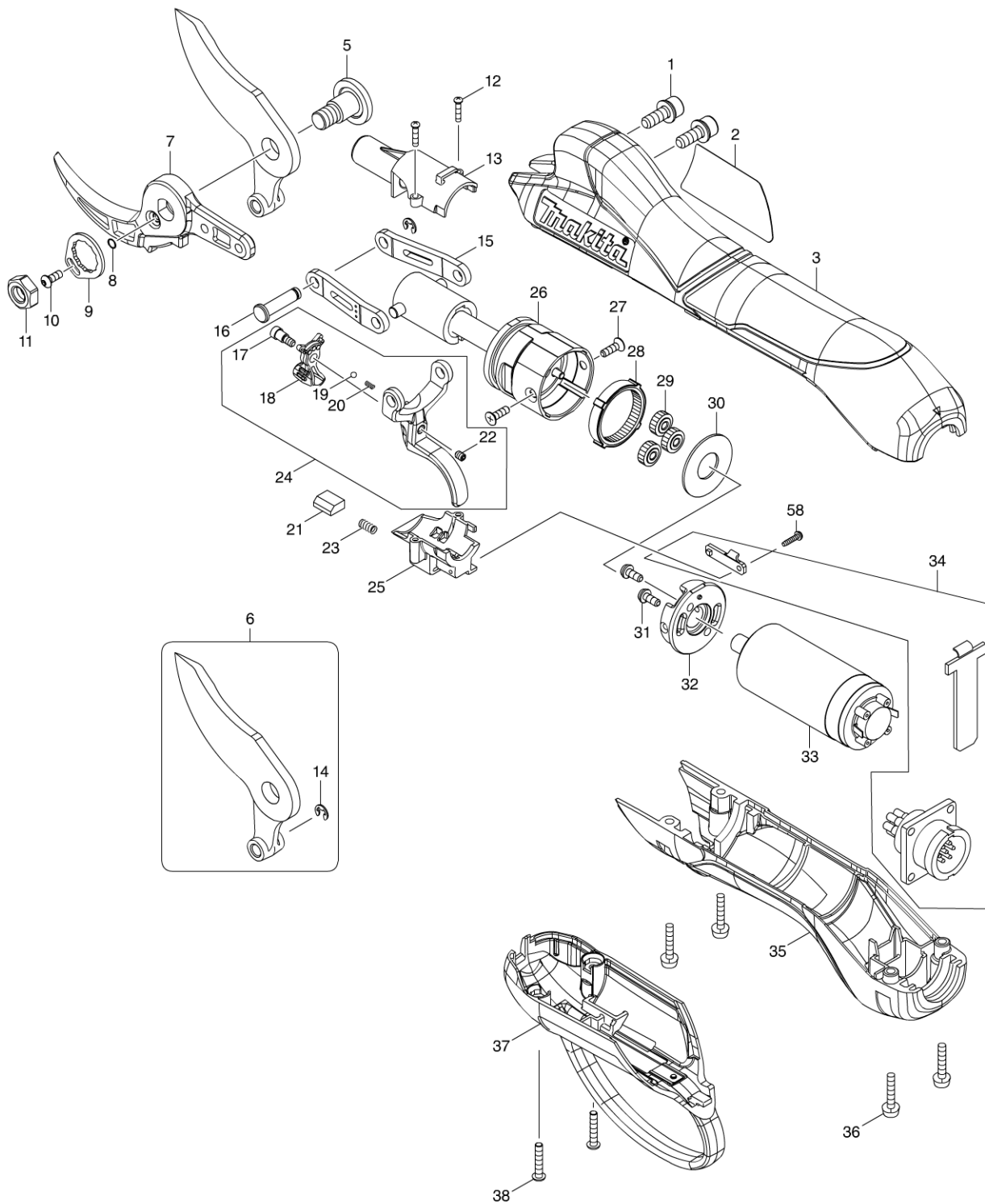
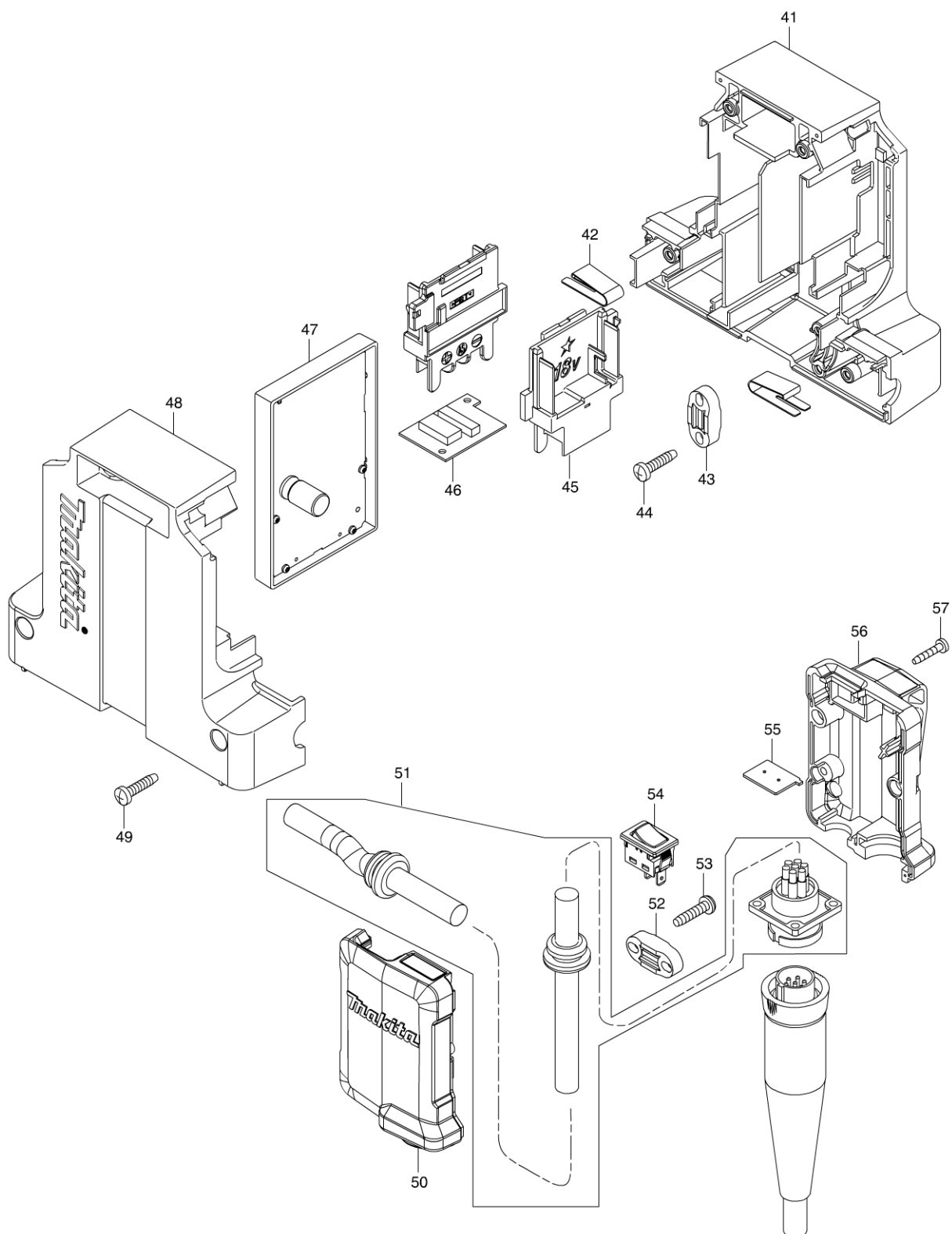


# Modellszám DUP361 BATTERY POWERED PRUNING SHEAR



# Modellszám DUP361 BATTERY POWERED PRUNING SHEAR



# Modellszám DUP361 BATTERY POWERED PRUNING SHEAR

Oldal 1 / 2

| Tétel | Cikkszám | Megnevezés                    | Átala | Menny. | N/O | Opc 1 | Opc 2 | Megjegyzés |
|-------|----------|-------------------------------|-------|--------|-----|-------|-------|------------|
| 001   | 251485-5 | H.S.H.BOLT M5X14 WITH WR      |       | 2      |     |       |       |            |
| 002   | 851F32-4 | DUP361 NAME PLATE             |       | 1      |     |       |       |            |
| 003   | 456209-6 | UPPER HOUSING                 |       | 1      |     |       |       |            |
| 005   | 251474-0 | SHOULDER SCREW M8             |       | 1      |     |       |       |            |
| 006   | 197366-8 | SHEAR BLADE U SET             |       | 1      |     |       |       |            |
| D10   |          | INC. 14                       |       |        |     |       |       |            |
| 007   | 197367-6 | SHEAR BLADE L SET             |       | 1      |     |       |       |            |
| 008   | 213034-6 | O RING 3                      |       | 1      |     |       |       |            |
| 009   | 346940-1 | LOCK PLATE                    |       | 1      |     |       |       |            |
| 010   | 266557-3 | H.S.BUTTON HEAD BOLT M3X8     |       | 1      |     |       |       |            |
| 011   | 264118-3 | HEX. NUT M8                   |       | 1      |     |       |       |            |
| 012   | 266786-8 | + PAN HEAD TAPPING SCREW 2X10 |       | 2      |     |       |       |            |
| 013   | 456218-5 | BALL NUT COVER B              |       | 1      |     |       |       |            |
| 014   | 961011-9 | STOP RING E-4                 |       | 1      |     |       |       |            |
| 015   | 346941-9 | LINK ARM                      |       | 2      |     |       |       |            |
| 016   | 256568-6 | FLAT FILLISTER HD.PIN 5       |       | 1      |     |       |       |            |
| 017   | 251484-7 | + FLAT HEAD SCREW M3X4        |       | 1      |     |       |       |            |
| 018   | 456215-1 | LEVER                         |       | 1      |     |       |       |            |
| 019   | 216031-1 | STEEL BALL 2.3                |       | 1      |     |       |       |            |
| 020   | 233491-2 | COMPRESSION SPRING 2          |       | 1      |     |       |       |            |
| 021   | 688189-0 | MAGNET                        |       | 1      |     |       |       |            |
| 022   | 266999-1 | H.S.SET SCREW(FLAT POINT)M3X4 |       | 1      |     |       |       |            |
| 023   | 231397-8 | COMPRESSION SPRING 4          |       | 1      |     |       |       |            |
| 024   | 123536-3 | TRIGGER ASS'Y                 |       | 1      |     |       |       |            |
| D10   |          | INC. 17-20,22                 |       |        |     |       |       |            |
| 025   | 456217-7 | BALL NUT COVER A              |       | 1      |     |       |       |            |
| 026   | 123458-7 | BALL SCREW ASSEMBLY           |       | 1      |     |       |       |            |
| 027   | 912012-0 | C.H.SCREW M3X10               |       | 2      |     |       |       |            |
| 028   | 227390-8 | INTERNAL GEAR 48              |       | 1      |     |       |       |            |
| 029   | 227389-3 | SPUR GEAR 18                  |       | 3      |     |       |       |            |
| 030   | 253810-6 | FLAT WASHER 12                |       | 1      |     |       |       |            |
| 031   | 911006-2 | PAN HEAD SCREW M3X8           |       | 2      |     |       |       |            |
| 032   | 319349-0 | MOTOR HOLDER                  |       | 1      |     |       |       |            |
| 033   | 629160-5 | DC MOTOR                      |       | 1      |     |       |       |            |
| 034   | 620459-1 | SUB CONTROLLER                |       | 1      |     |       |       |            |
| 035   | 456211-9 | LOWER HOUSING                 |       | 1      |     |       |       |            |
| 036   | 911028-2 | PAN HEAD SCREW M3X16          |       | 4      |     |       |       |            |
| 037   | 143633-9 | FRONT HOUSING COMPLETE        |       | 1      |     |       |       |            |
| C10   | 807L80-7 | INDICATION LABEL              |       | 1      |     |       |       |            |
| 038   | 266980-2 | HEX.S.BUTTON HEAD SCREW M3X16 |       | 2      |     |       |       |            |
| 041   | 183B69-2 | CONTROLLER HOUSING SET        |       | 1      |     |       |       |            |
| D10   |          | INC. 48                       |       |        |     |       |       |            |
| 042   | 232267-4 | LEAF SPRING                   |       | 2      |     |       |       |            |
| 043   | 687053-2 | STRAIN RELIEF                 |       | 1      |     |       |       |            |
| 044   | 265995-6 | TAPPING SCREW 4X18            |       | 2      |     |       |       |            |
| 045   | 643899-6 | TERMINAL                      |       | 2      |     |       |       |            |
| 046   | 620461-4 | RF UNIT                       |       | 1      |     |       |       |            |
| 047   | 620458-3 | CONTROLLER                    |       | 1      |     |       |       |            |

Kérem az alkatrészt cikkszámával rendelje meg.

Dátum nyomtatása 2015/11/03

# Modellszám DUP361 BATTERY POWERED PRUNING SHEAR

Oldal 2 / 2

| Tétel | Cikkszám  | Megnevezés                    | Átala | Menny. | N/O | Opc 1 | Opc 2 | Megjegyzés |
|-------|-----------|-------------------------------|-------|--------|-----|-------|-------|------------|
| 048   | 183B69-2  | CONTROLLER HOUSING SET        |       | 1      |     |       |       |            |
| D10   |           | INC. 41                       |       |        |     |       |       |            |
| 049   | 265995-6  | TAPPING SCREW 4X18            |       | 4      |     |       |       |            |
| 050   | 183B76-5  | SWITCH HOUSING SET            |       | 1      |     |       |       |            |
| C10   | 807E89-7  | INDICATION LABEL              |       | 1      |     |       |       |            |
| C20   | 807F74-6  | CAUTION LABEL                 |       | 1      |     |       |       |            |
| D10   |           | INC. 56                       |       |        |     |       |       |            |
| 051   | 699070-0  | POWER SUPPLY CORD UNIT        |       | 1      |     |       |       |            |
| 052   | 687053-2  | STRAIN RELIEF                 |       | 1      |     |       |       |            |
| 053   | 265995-6  | TAPPING SCREW 4X18            |       | 2      |     |       |       |            |
| 054   | 651536-8  | SWITCH 1941. 1451             |       | 1      |     |       |       |            |
| 055   | 620460-6  | LED CIRCUIT                   |       | 1      |     |       |       |            |
| 056   | 183B76-5  | SWITCH HOUSING SET            |       | 1      |     |       |       |            |
| C10   | 807E89-7  | INDICATION LABEL              |       | 1      |     |       |       |            |
| C20   | 807F74-6  | CAUTION LABEL                 |       | 1      |     |       |       |            |
| D10   |           | INC. 50                       |       |        |     |       |       |            |
| 057   | 266429-2  | TAPPING SCREW 3X16            |       | 3      |     |       |       |            |
| 058   | 266786-8  | + PAN HEAD TAPPING SCREW 2X10 |       | 1      |     |       |       |            |
| A01   | 154511-8  | CORD HOLDER COMPLETE          |       | 1      |     |       |       |            |
| A02   | 161377-9  | HARNESS                       |       | 1      |     |       |       |            |
| A03   | 161379-5  | HOLSTER                       |       | 1      |     |       |       |            |
| A04   | 166062-9  | ARM BAND                      |       | 1      |     |       |       |            |
| A05   | 182470-6  | OIL SUPPLY                    |       | 1      |     |       |       |            |
| A06   | 661430-6  | CONNECTION CORD               |       | 1      |     |       |       |            |
| A07   | 794530-8  | DIAMOND FILE 140              |       | 1      |     |       |       |            |
| A08   | 782212-4  | SOCKET WRENCH 13              |       | 1      |     |       |       |            |
| A09   | 783021-4  | HEX. WRENCH 1.5               |       | 1      |     |       |       |            |
| A10   | 783202-0  | HEX. WRENCH 4                 |       | 1      |     |       |       |            |
| A11   | 783214-3  | HEX.SOCKET SCREW KEY 2        |       | 1      |     |       |       |            |
| A12   | 831284-7  | TOOL BAG                      |       | 1      |     |       |       |            |
| A13   | 197366-8  | SHEAR BLADE U SET             |       | 1      |     |       |       |            |
| C10   | 961011-9  | STOP RING E-4                 |       | 1      |     |       |       |            |
| A14B  | ***DC18RC | DC18RC FAST CHARGER           |       | 1      |     |       |       |            |
| A14D  | ***DC18RD | DC18RD TWO PORT FAST CHARGE   |       | 1      |     |       |       |            |
| A14E  | ***DC18RD | DC18RD TWO PORT FAST CHARGE   |       | 1      |     |       |       |            |
| A15B  | 197265-4  | BATTERY BL1840B SET           |       | 2      |     |       |       |            |
| A15D  | 197265-4  | BATTERY BL1840B SET           |       | 2      |     |       |       |            |
| A15E  | 197280-8  | BATTERY BL1850B SET           |       | 2      |     |       |       |            |
| A16B  | 450128-8  | BATTERY COVER                 |       | 2      |     |       |       |            |
| A16D  | 450128-8  | BATTERY COVER                 |       | 2      |     |       |       |            |
| A16E  | 450128-8  | BATTERY COVER                 |       | 2      |     |       |       |            |
|       |           |                               |       |        |     |       |       |            |
|       |           |                               |       |        |     |       |       |            |
|       |           |                               |       |        |     |       |       |            |
|       |           |                               |       |        |     |       |       |            |
|       |           |                               |       |        |     |       |       |            |
|       |           |                               |       |        |     |       |       |            |
|       |           |                               |       |        |     |       |       |            |
|       |           |                               |       |        |     |       |       |            |
|       |           |                               |       |        |     |       |       |            |
|       |           |                               |       |        |     |       |       |            |
|       |           |                               |       |        |     |       |       |            |

Kérem az alkatrészt cikkszámával rendelje meg.

Dátum nyomtatása 2015/11/03