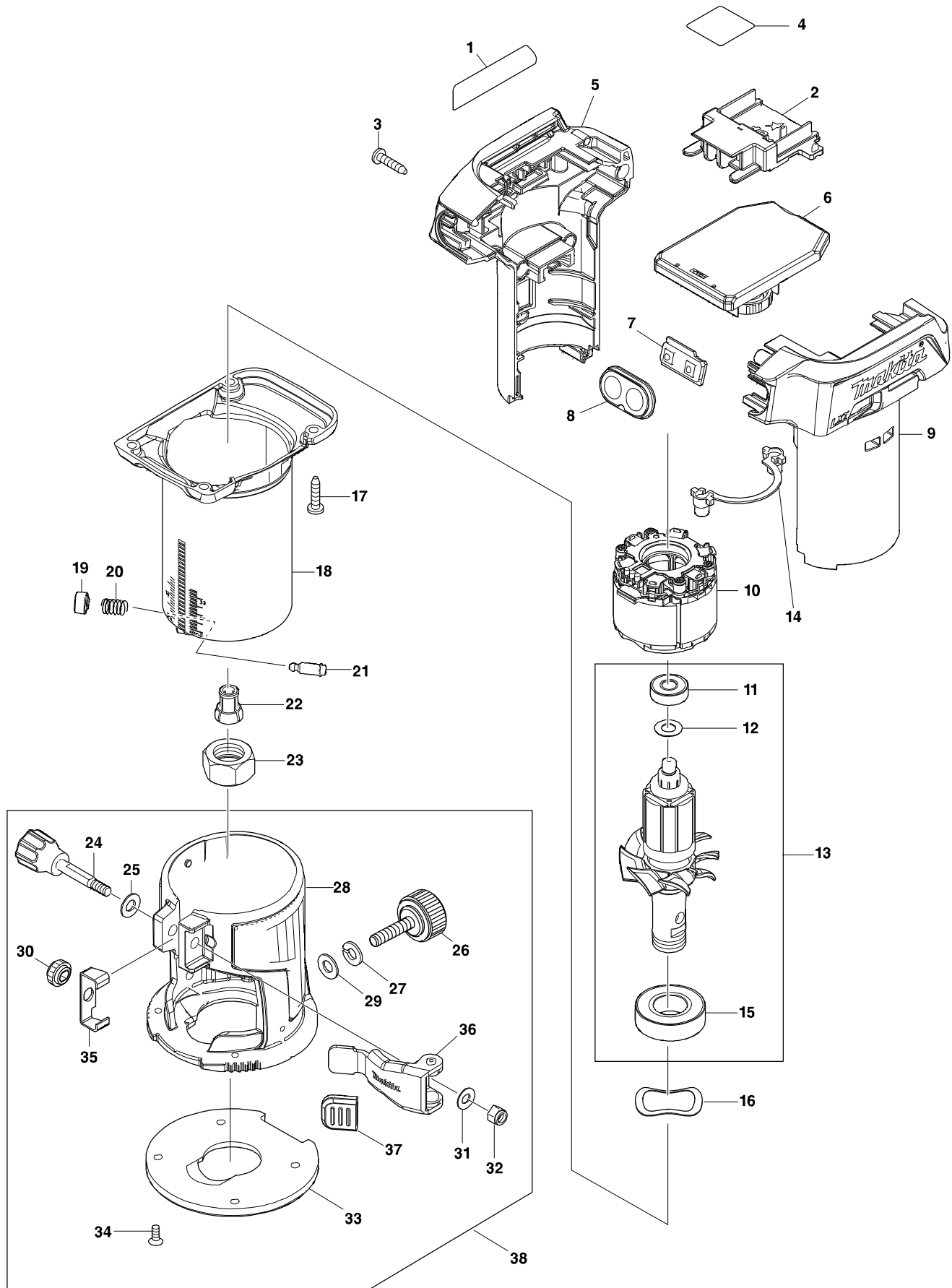


Modellszám DRT50 CORDLESS TRIMMER



Tétel	Cikkszám	Megnevezés	Átala	Menny.	N/O	Opc 1	Opc 2	Megjegyzés
001	853N00-1	DRT50 NAME PLATE		1				
002	643874-2	TERMINAL		1				
003	266326-2	TAPPING SCREW 4X18		4				
004	853N19-0	DRT50 SERIAL NO. LABEL		1				
005	183G76-5	HOUSING SET		1				
C10	263005-3	RUBBER PIN 6		2				
D10		INC. 9						
006	620720-6	CONTROLLER A		1				
007	632K92-3	SWITCH UNIT		1				
008	144662-5	SWITCH PLATE COMPLETE		1				
009	183G76-5	HOUSING SET		1				
C10	263005-3	RUBBER PIN 6		2				
D10		INC. 5						
010	629280-5	STATOR		1				
011	210017-7	BALL BEARING 607DDW		1				
012	253186-1	FLAT WASHER 7		1				
013	519449-8	ROTOR ASSY		1				
D10		INC. 11,12,15						
014	620721-4	LED CIRCUIT		1				
015	210301-0	BALL BEARING 6003DDW		1				
016	253906-3	WAVE WASHER 26		1				
017	266326-2	TAPPING SCREW 4X18		4				
018	144661-7	OUTER HOUSING COMPLETE		1				
019	452468-0	PUSH BUTTON		1				
020	233127-3	COMPRESSION SPRING 7		1				
021	256437-1	PIN 4		1				
022	763636-3	COLLET CONE 6MM		1				
023	763615-1	COLLET NUT		1				
024	265792-0	THUMB SCREW M5X35		1				
025	941151-9	FLAT WASHER 6		1				
026	265763-7	THUMB SCREW M6X25		1				
027	942151-2	SPRING WASHER 6		1				
028	142403-3	TRIMMER BASE COMPLETE		1				
029	941151-9	FLAT WASHER 6		1				
030	227262-7	SPUR GEAR 16		1				
031	941101-4	FLAT WASHER 5		1				
032	252103-8	HEX. LOCK NUT M5-8		1				
033	454842-8	BASE PROTECTOR		1				
034	912112-6	COUNTERSUNK HEAD SCREW M4X10		4				
035	346392-6	CAM PLATE		1				
036	163524-8	LOCK LEVER COMPLETE		1				
037	424396-9	RUBBER CAP		1				
038	196612-6	TRIMMER BASE SET		1				
D10		INC. 24-37						
A01	122965-7	STRAIGHT GUIDE ASSEMBLY		1				
C10	252649-4	THUMB NUT M6		1				
C20	266339-3	CAP SQUARE NECK BOLT M6X20		1				
C30	346382-9	GUIDE PLATE		1				

Tétel	Cikkszám	Megnevezés	Átalak	Menny.	N/O	Opc 1	Opc 2	Megjegyzés
A02	195559-1	DUST NOZZLE SET		1				
C10	265774-2	THUMB SCREW M4X19		1				
A03	343577-5	TEMPLET GUIDE 10		1				
A04	763618-5	COLLET CONE 8MM		1				
A05	781011-1	WRENCH 22		1				
A06	781039-9	WRENCH 13		1				
A07B	821552-6	CONNECTOR PLASTIC CASE (TYPE4)		1				
C10	453974-8	LATCH		4				
A07C	821552-6	CONNECTOR PLASTIC CASE (TYPE4)		1				
C10	453974-8	LATCH		4				
A08B	813K30-6	DRT50ZJX2 INDICATION LABEL		1				
A08C	813K57-6	DRT50RTJX2 INDICATION LABEL		1				
A09B	813K31-4	DRT50ZJX2 PLASTIC CASE LABEL		2				
A09C	813K58-4	DRT50RTJX2 PLASTIC CASE LABEL		2				
A10B	837247-1	TRAY		1				
A10C	837247-1	TRAY		1				
A11B	122703-7	TRIMMER GUIDE ASS'Y		1				
C10	251471-6	- FLAT HEAD SCREW M5		1				
C20	265135-6	+ COUNTERSUNK HEAD SCREW M4X		1				
C30	265763-7	THUMB SCREW M6X25		1				
C40	265764-5	THUMB SCREW M6		1				
C50	317788-8	GUIDE HOLDER		1				
C60	324378-0	ROLLER 11		1				
C70	341136-9	HOOK		1				
C80	941151-9	FLAT WASHER 6		1				
A11C	122703-7	TRIMMER GUIDE ASS'Y		1				
C10	251471-6	- FLAT HEAD SCREW M5		1				
C20	265135-6	+ COUNTERSUNK HEAD SCREW M4X		1				
C30	265763-7	THUMB SCREW M6X25		1				
C40	265764-5	THUMB SCREW M6		1				
C50	317788-8	GUIDE HOLDER		1				
C60	324378-0	ROLLER 11		1				
C70	341136-9	HOOK		1				
C80	941151-9	FLAT WASHER 6		1				
A12B	195563-0	PLUNGE BASE SET		1				
D10		COMBO-PARTS						
A12C	195563-0	PLUNGE BASE SET		1				
D10		COMBO-PARTS						
A13B	195561-4	TILT BASE SET		1				
D10		COMBO-PARTS						
A13C	195561-4	TILT BASE SET		1				
D10		COMBO-PARTS						
A14B	153489-2	GRIP 36 COMPLETE		1				
A14C	153489-2	GRIP 36 COMPLETE		1				
A15B	195564-8	GUIDE HOLDER SET		1				
C10	252649-4	THUMB NUT M6		1				
C20	256850-3	ROD 8		2				
C30	266339-3	CAP SQUARE NECK BOLT M6X20		1				

