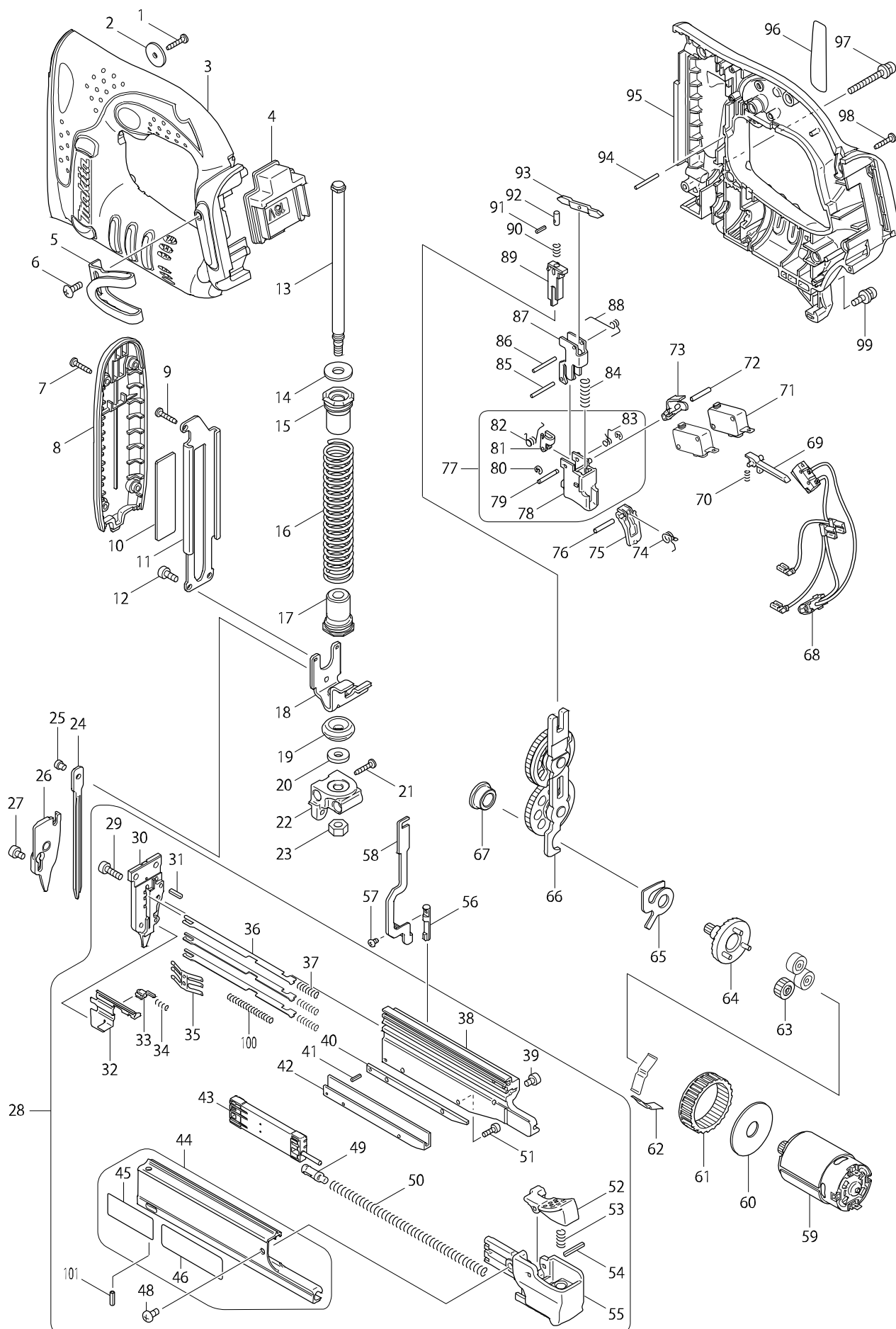


Modellszám DPT351 CORDLESS PIN NAILER



| Tétel | Cikkszám | Megnevezés | Átala | Menny. | N/O | Opc 1 | Opc 2 | Megjegyzés |
|-------|----------|--------------------------------|-------|--------|-----|-------|-------|------------|
| 001 | 266130-9 | ÖNMETSZŐ CSAVAR M3X16* | | 1 | | | | |
| 002 | 267071-2 | LAPOS ALÁTÉT 4 BO5000 | | 1 | | | | |
| 003 | 187098-5 | HOUSING SET | | 1 | | | | |
| D10 | | INC. 95 | | | | | | |
| 004 | 643843-3 | TERMINAL | | 1 | | | | |
| 005 | 346317-0 | HOROG BDF456/BHP456 | | 1 | | | | |
| 006 | 251314-2 | CSAVAR M4X12 LS0810/2012 | | 1 | | | | |
| 007 | 266130-9 | ÖNMETSZŐ CSAVAR M3X16* | | 4 | | | | |
| 008 | 419450-2 | FRONT COVER | | 1 | | | | |
| 009 | 266130-9 | ÖNMETSZŐ CSAVAR M3X16* | | 1 | | | | |
| 010 | 345704-0 | UPPER PLATE | | 1 | | | | |
| 011 | 345703-2 | RAIL | | 1 | | | | |
| 012 | 922112-8 | IMBUSZCSAVAR M4X10 JV2000/JG2 | | 2 | | | | |
| 013 | 324683-5 | GUIDE BOLT | | 1 | | | | |
| 014 | 253762-1 | LAPOS ALÁTÉT 8 LS1040 | | 1 | | | | |
| 015 | 421962-3 | SPRING HOLDER | | 1 | | | | |
| 016 | 233472-6 | COMPRESSION SPRING 17 | | 1 | | | | |
| 017 | 421962-3 | SPRING HOLDER | | 1 | | | | |
| 018 | 345701-6 | HAMMER | | 1 | | | | |
| 019 | 421956-8 | CUSHION | | 1 | | | | |
| 020 | 253804-1 | U-ALAKÚ LAPOS ALÁTÉT 6 253804- | | 1 | | | | |
| 021 | 266130-9 | ÖNMETSZŐ CSAVAR M3X16* | | 1 | | | | |
| 022 | 318025-3 | HOLDER | | 1 | | | | |
| 023 | 931302-2 | HATLAPÚ ANYA M6 931302-2 | | 1 | | | | |
| 024 | 345702-4 | DRIVER | | 1 | | | | |
| 025 | 268157-5 | PIN 4 | | 1 | | | | |
| 026 | 168430-2 | DRIVER GUIDE COVER | | 1 | | | | |
| 027 | 922102-1 | IMBUSZCSAVAR M4X6 SC130DRA | | 2 | | | | |
| 028 | 135372-5 | MAGAZINE ASSEMBLY | | 1 | | | | |
| D10 | | INC. 29-44,48-55,100,101 | | | | | | |
| 029 | 922122-5 | HEX, SOCKET HEAD BOLT M4X14 | | 1 | | | | |
| 030 | 310173-4 | DRIVER GUIDE | | 1 | | | | |
| 031 | 951054-9 | RUGÓS CSAPSZEG 3-10 | | 2 | | | | |
| 032 | 345699-7 | PUSHER | | 1 | | | | |
| 033 | 310176-8 | STOPPER | | 1 | | | | |
| 034 | 233018-8 | NYOMÓRUGÓ 3 JR3030T | | 1 | | | | |
| 035 | 232229-2 | LEAF SPRING | | 1 | | | | |
| 036 | 346239-4 | NAIL STOPPER | | 3 | | | | |
| 037 | 233476-8 | COMPRESSION SPRING 4 | | 3 | | | | |
| 038 | 318024-5 | MAGAZINE | | 1 | | | | |
| 039 | 922102-1 | IMBUSZCSAVAR M4X6 SC130DRA | | 1 | | | | |
| 040 | 345696-3 | SPACER | | 1 | | | | |
| 041 | 951001-0 | SPRING PIN 2-8 | | 1 | | | | |
| 042 | 318023-7 | LOWER RAIL | | 1 | | | | |
| 043 | 452877-3 | NAIL GUIDE HOLDER | | 1 | | | | |
| 044 | 140412-6 | UPPER RAIL COMPLETE | | 1 | | | | |
| D10 | | INC. 45 | | | | | | |
| 045 | 813728-9 | SAFETY INSTRUCTION LABEL | | 1 | | | | |

| Tétel | Cikkszám | Megnevezés | Átala | Menny. | N/O | Opc 1 | Opc 2 | Megjegyzés |
|-------|----------|--------------------------------|-------|--------|-----|-------|-------|------------|
| 048 | 911113-1 | TRAPÉZFEJŰ CSAVAR M4X10 911113 | | 1 | | | | |
| 049 | 419443-9 | SHOULDER PIN 5-7 | | 1 | | | | |
| 050 | 233470-0 | COMPRESSION SPRING 5 | | 1 | | | | |
| 051 | 266177-3 | IMBUSZCSAVAR M3X10 266177-3 | | 2 | | | | |
| 052 | 419446-3 | LEVER | | 1 | | | | |
| 053 | 233117-6 | NYOMÓRUGÓ GA | | 1 | | | | |
| 054 | 951066-2 | HASÍTOTT CSAPSZEG 3-18 951066- | | 1 | | | | |
| 055 | 419444-7 | SLIDE DOOR CAP | | 1 | | | | |
| 056 | 268158-3 | PIN 5 | | 1 | | | | |
| 057 | 265040-7 | TRAPÉZFEJŰ CSAVAR M3X4 | | 1 | | | | |
| 058 | 345705-8 | LOCK ARM | | 1 | | | | |
| 059 | 629910-8 | DC MOTOR | | 1 | | | | |
| 060 | 267053-4 | LAPOS ALÁTÉT 12 4601DW | | 1 | | | | |
| 061 | 227166-3 | INTERNAL GEAR 69 | | 1 | | | | |
| 062 | 232230-7 | LEAF SPRING | | 2 | | | | |
| 063 | 221961-3 | HOMLOKFOGASKERÉK 27 4601DW | | 3 | | | | |
| 064 | 154973-0 | SPUR GEAR 7 COMPLETE | | 1 | | | | |
| 065 | 345773-1 | ANTI BACK PLATE | | 1 | | | | |
| 066 | 154972-2 | SPUR GEAR 55 COMPLETE | | 1 | | | | |
| 067 | 214060-8 | PLANE BEARING 10 | | 1 | | | | |
| 068 | 620073-3 | LED CIRCUIT | | 1 | | | | |
| 069 | 419452-8 | LIGHT SWITCH ARM | | 1 | | | | |
| 070 | 233032-4 | NYOMÓRUGÓ 2 6706L/6704DW | | 1 | | | | |
| 071 | 651891-8 | KAPCSOLÓ V-15-3A6 6901DW/4191 | | 2 | | | | |
| 072 | 256299-7 | PIN 3 | | 1 | | | | |
| 073 | 419453-6 | LINK PLATE | | 1 | | | | |
| 074 | 231693-4 | TORSION SPRING 4 | | 1 | | | | |
| 075 | 419454-4 | SAFETY TRIGGER | | 1 | | | | |
| 076 | 256299-7 | PIN 3 | | 1 | | | | |
| 077 | 188168-3 | TRIGGER SET | | 1 | | | | |
| D10 | | INC. 78-83 | | | | | | |
| 078 | 419451-0 | TRIGGER | | 1 | | | | |
| 079 | 256771-9 | PIN 2,5 | | 1 | | | | |
| 080 | 257926-9 | STOP RING E-2,0 | | 2 | | | | |
| 081 | 345707-4 | SWING ARM | | 1 | | | | |
| 082 | 231694-2 | TORSION SPRING 3 | | 1 | | | | |
| 083 | 231695-0 | TORSION SPRING 3 | | 1 | | | | |
| 084 | 233360-7 | COMPRESSION SPRING 4 | | 1 | | | | |
| 085 | 256176-3 | CSAPSZEG 2,5 HR3000C/4604DW | | 1 | | | | |
| 086 | 256176-3 | CSAPSZEG 2,5 HR3000C/4604DW | | 1 | | | | |
| 087 | 345706-6 | GUIDE PLATE | | 1 | | | | |
| 088 | 231692-6 | TORSION SPRING 4 | | 1 | | | | |
| 089 | 168489-9 | CAM BLOCK | | 1 | | | | |
| 090 | 233188-3 | NYOMÓRUGÓ 2,4 HR40C/51C/30C* | | 1 | | | | |
| 091 | 951001-0 | SPRING PIN 2-8 | | 1 | | | | |
| 092 | 324923-1 | PUSH PIN | | 1 | | | | |
| 093 | 345708-2 | SWITCH ARM | | 1 | | | | |
| 094 | 256176-3 | CSAPSZEG 2,5 HR3000C/4604DW | | 1 | | | | |

| Tétel | Cikkszám | Megnevezés | Átala | Menny. | N/O | Opc 1 | Opc 2 | Megjegyzés |
|--------|-----------|------------------------------------|-------|--------|-----|-------|-------|------------|
| 095 | 187098-5 | HOUSING SET | | 1 | | | | |
| D10 | | INC. 3 | | | | | | |
| 096 | 815W07-9 | DPT351 NAME PLATE | | 1 | | | | |
| 097 | 911163-6 | PAN HEAD SCREW M4X35 | | 1 | | | | |
| 098 | 266130-9 | ÖNMETSZŐ CSAVAR M3X16* | | 8 | | | | |
| 099 | 911123-8 | TRAPÉZFEJŰ CSAVAR M4X14 911123 | | 2 | | | | |
| 100 | 233459-8 | NYOMÓRUGÓ | | 1 | | | | |
| 101 | 951054-9 | RUGÓS CSAPSZEG 3-10 | | 1 | | | | |
| A01 | 195246-2 | SAFETY GOGGLE | | 1 | | | | |
| A02 | 419525-7 | NOSE ADAPTER | | 1 | | | | |
| A03 | 783201-2 | IMBUSZKULCS 3 783201-2 | | 1 | | | | |
| A04F | 141932-3 | PLASTIC CASE COMPLETE | | 1 | | | | |
| C10 | 324667-3 | SHAFT | | 1 | | | | |
| C20 | 413098-2 | PLATE | | 4 | | | | |
| C30 | 417724-5 | CSAT | | 2 | | | | |
| C40 | 419215-2 | KOFFER FEDÉL | | 1 | | | | |
| C50 | 419216-0 | HANDLE | | 1 | | | | |
| A04G | 821550-0 | T2 KOFFER 396X296X157 | | 1 | | | | |
| C10 | 453974-8 | LATCH | | 4 | | | | |
| A04H | 821550-0 | T2 KOFFER 396X296X157 | | 1 | | | | |
| C10 | 453974-8 | LATCH | | 4 | | | | |
| A05F | 804J82-2 | DPT351RFE PLASTIC CASE LABEL | | 1 | | | | |
| A05G | 837640-9 | INNER TRAY | | 1 | | | | |
| A05H | 837640-9 | INNER TRAY | | 1 | | | | |
| A06F | ***DC18RC | DC18RC FAST CHARGER | | 1 | | | | |
| A06G | ***DC18RC | DC18RC FAST CHARGER | | 1 | | | | |
| A07F | 194204-5 | AKKU BL1830 18V 3,0AH LI-ION AKKUM | | 2 | * | | | |
| A07G | 194204-5 | AKKU BL1830 18V 3,0AH LI-ION AKKUM | | 2 | * | | | |
| A07-1F | 194204-5 | AKKU BL1830 18V 3,0AH LI-ION AKKUM | O | 2 | * | | | |
| A07-1G | 194204-5 | AKKU BL1830 18V 3,0AH LI-ION AKKUM | O | 2 | * | | | |
| A07-2F | 197600-6 | BATTERY BL1830B SET | < | 2 | | | | |
| A07-2G | 197600-6 | BATTERY BL1830B SET | < | 2 | | | | |
| A08F | 450128-8 | BATTERY COVER | | 1 | | | | |
| A08G | 450128-8 | BATTERY COVER | | 1 | | | | |
| A09G | 804J76-7 | DPT351RFJ INDICATION LABEL | | 1 | | | | |
| A09H | 804J77-5 | DPT351ZJ INDICATION LABEL | | 1 | | | | |
| A10G | 804J79-1 | DPT351RFJ PLASTIC CASE LABEL | | 2 | | | | |
| A10H | 804J80-6 | DPT351ZJ PLASTIC CASE LABEL | | 2 | | | | |
| | | | | | | | | |
| | | | | | | | | |
| | | | | | | | | |
| | | | | | | | | |
| | | | | | | | | |
| | | | | | | | | |
| | | | | | | | | |
| | | | | | | | | |
| | | | | | | | | |
| | | | | | | | | |
| | | | | | | | | |
| | | | | | | | | |