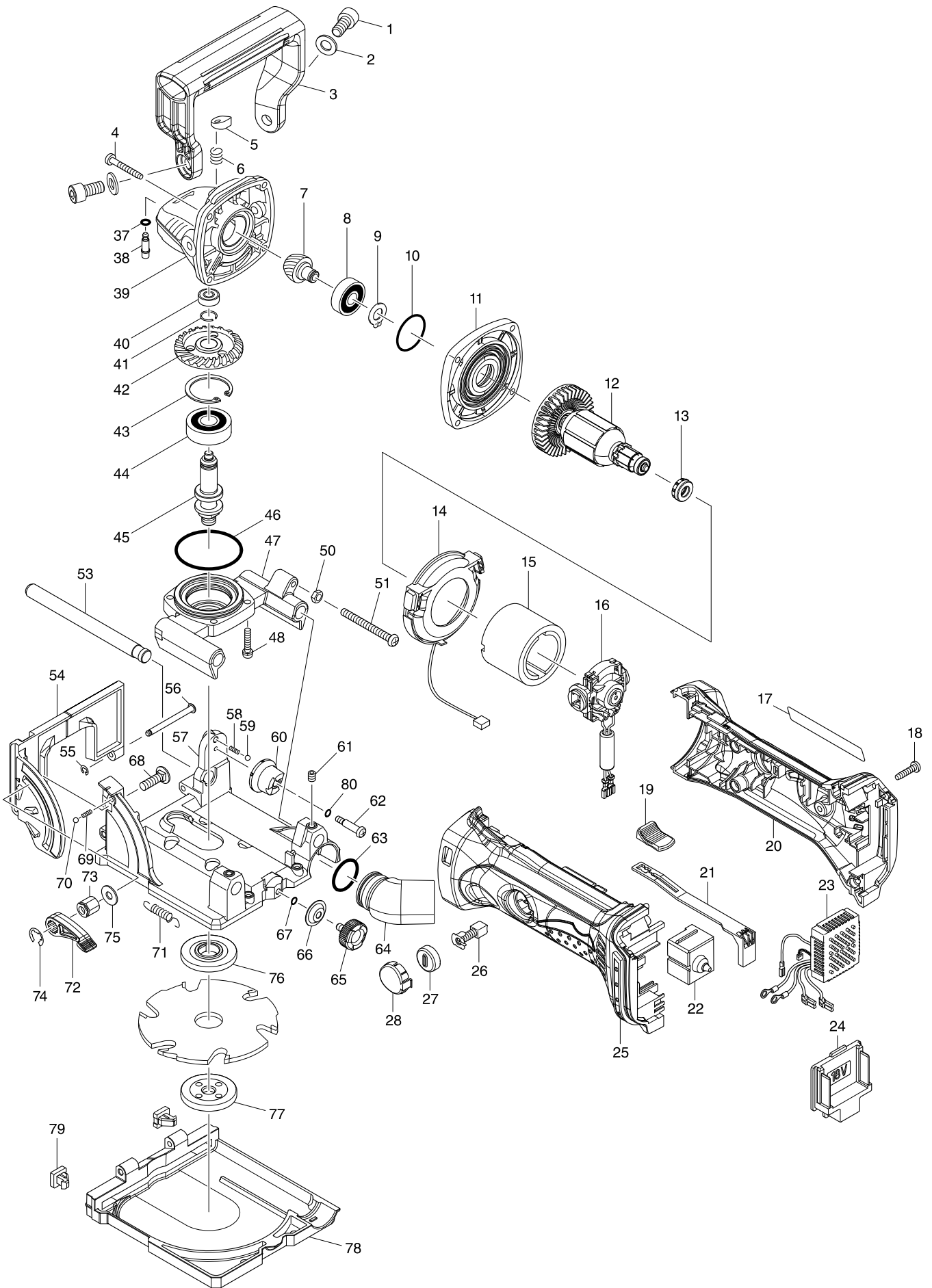


Model No. DPJ180 CORDLESS PLATE JOINER



Model No. DPJ180 CORDLESS PLATE JOINER

Item	Parts No.	Description	I/C	Qty	N/O	Opt. 1	Opt. 2	Note
001	922422-3	HEX. SOCKET HEAD BOLT M8X16		2				
002	941202-8	FLAT WASHER 8		2				
003	453219-4	GRIP		1				
004	266361-0	TAPPING SCREW 4X30		4				
005	417771-6	PIN CAP		1				
006	233072-2	COMPRESSION SPRING 8		1				
007	227597-6	SPIRAL BEVEL GEAR 11		1				
008	210042-8	BALL BEARING 629LLB		1				
009	961005-4	RETAINING RING S-9		1				
010	213445-5	O-RING 26		1				
011	317821-6	GEAR HOUSING COVER		1				
012	619295-0	ARMATURE		1				
D10		INC. 7-11						
013	421977-0	RUBBER RING 13		1				
014	631714-6	LED CIRCUIT		1				
015	638627-2	YOKE UNIT		1				
016	638979-1	ENDBELL COMPLETE		1				
C10	688165-4	LINE FILTER		1				
017	815T35-6	DPJ180 NAME PLATE		1				
018	266326-2	TAPPING SCREW 4X18		5				
019	419566-3	SWITCH KNOB		1				
020	187839-9	HOUSING SET		1				
C10	263005-3	RUBBER PIN 6		2				
D10		INC. 25						
021	419519-2	SWITCH LEVER		1				
022	650579-7	SWITCH 1246.3223		1				
023	620243-4	CONTROLLER		1				
024	644808-8	TERMINAL		1				
025	187839-9	HOUSING SET		1				
C10	263005-3	RUBBER PIN 6		2				
D10		INC. 20						
026	191971-3	CARBON BRUSH CB-430		1				
027	643954-4	BRUSH HOLDER CAP		2				
028	419518-4	HOLDER CAP COVER		2				
037	213960-9	O RING 5		1				
038	256496-5	SHOULDER PIN 4		1				
039	141400-6	GEAR HOUSING COMPLETE		1				
C10	263002-9	RUBBER PIN 4		1				
040	210033-9	BALL BEARING 696ZZ		1				
041	233950-6	RING SPRING 11		1				
042	227598-4	SPIRAL BEVEL GEAR 36		1				
043	962151-6	RETAINING RING R-32		1				
044	211129-9	BALL BEARING 6201DDW		1				
045	326120-5	SPINDLE		1				
046	213622-9	O RING 45		1				
047	318812-0	BEARING BOX		1				
048	911136-9	PAN HEAD SCREW M4X20		4				
050	931203-4	HEX. NUT M5		1				

Model No. DPJ180 CORDLESS PLATE JOINER

Item	Parts No.	Description	I/C	Qty	N/O	Opt. 1	Opt. 2	Note
051	266741-0	PAN HEAD SCREW M5X50		1				
053	326145-9	ROD 10		2				
054	141247-8	FENCE COMPLETE		1				
055	961017-7	STOP RING E-3		2				
056	256689-4	PIN 4		2				
057	318813-8	BASE		1				
058	231282-5	COMPRESSION SPRING 2.4		1				
059	216001-0	STEEL BALL 3.5		1				
060	318814-6	STOPPER		1				
061	266264-8	H.S.SET SCREW(FLAT POINT)M5X6		2				
062	266738-9	+PAN HEAD SCREW M4		1				
063	213008-7	O RING 22.4		1				
064	415252-4	DUST NOZZLE		1				
065	265785-7	THUMB SCREW M5X10		1				
066	232131-9	LEAF SPRING		1				
067	213023-1	O RING 4		1				
068	266737-1	FLAT HEAD SQ. NECK BOLT M6X20		1				
069	231282-5	COMPRESSION SPRING 2.4		1				
070	216001-0	STEEL BALL 3.5		1				
071	231795-6	TENSION SPRING 8		2				
072	272263-0	LEVER 40		1				
073	252159-1	HEX. NUT M6		1				
074	961014-3	STOP RING E-8		1				
075	253804-1	FLAT WASHER 6		1				
076	224280-6	INNER FLANGE 40		1				
077	224505-8	LOCK NUT 10-40		1				
078	318845-5	BLADE COVER		1				
079	424479-5	RUBBER SPIKE		2				
080	213023-1	O RING 4		1				
A01	123149-0	ANGLE GUIDE ASSEMBLY		1				
D10		COMPO-PARTS						
A02	123150-5	DUST BAG ASSEMBLY		1				
C10	410602-8	FASTENER		1				
A03	415579-2	SET PLATE 4		1				
A04	B-20644	CUTTER 100MMX6T		1				
A05	782401-1	LOCK NUT WRENCH 20		1				
A06F	***DC18RC	DC18RC FAST CHARGER		1				
A06H	***DC18RC	DC18RC FAST CHARGER		1				
A07F	194204-5	BATTERY BL1830 SET		2	*			
A07H	194204-5	BATTERY BL1830 SET		2	*			
A07-1F	194204-5	BATTERY BL1830 SET	O	2				
A07-1H	194204-5	BATTERY BL1830 SET	O	2				
A08F	450128-8	BATTERY COVER		1				
A08H	450128-8	BATTERY COVER		2				
A09F	141533-7	PLASTIC CARRYING CASE COMPLETE		1				
C10	162315-4	LATCH		2				
C20	452137-3	HANDLE		1				
C30	452143-8	SHAFT		2				

