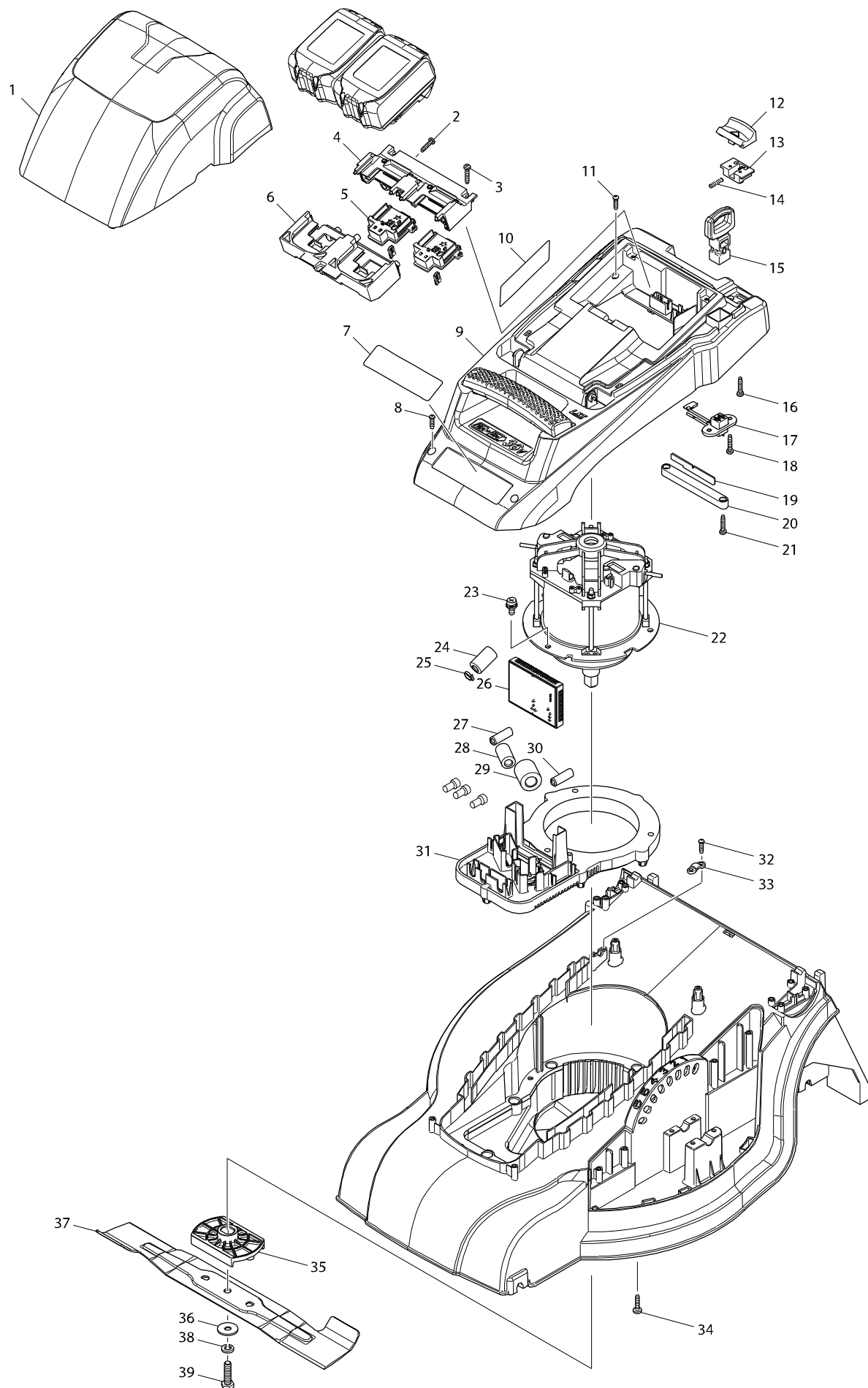
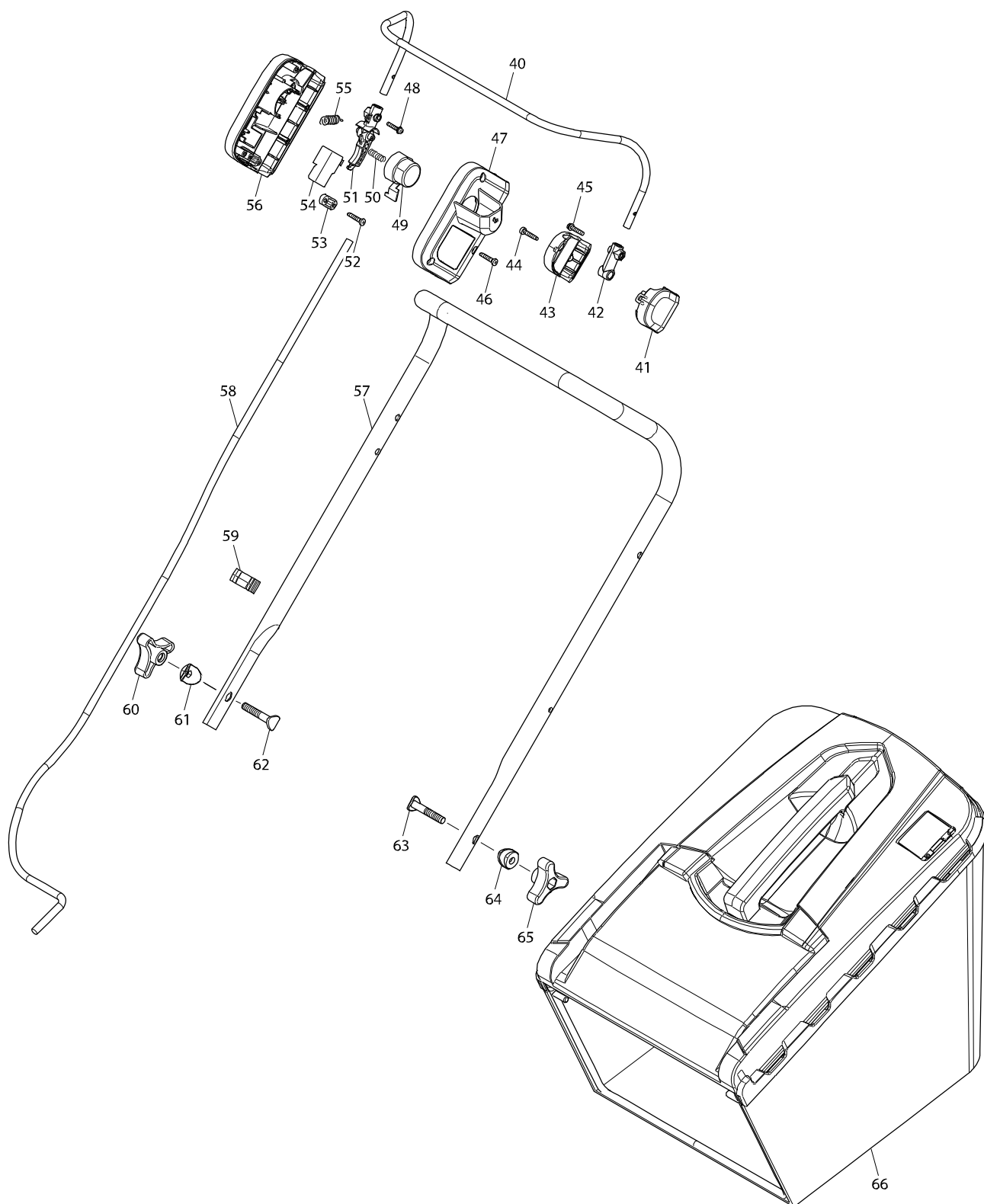
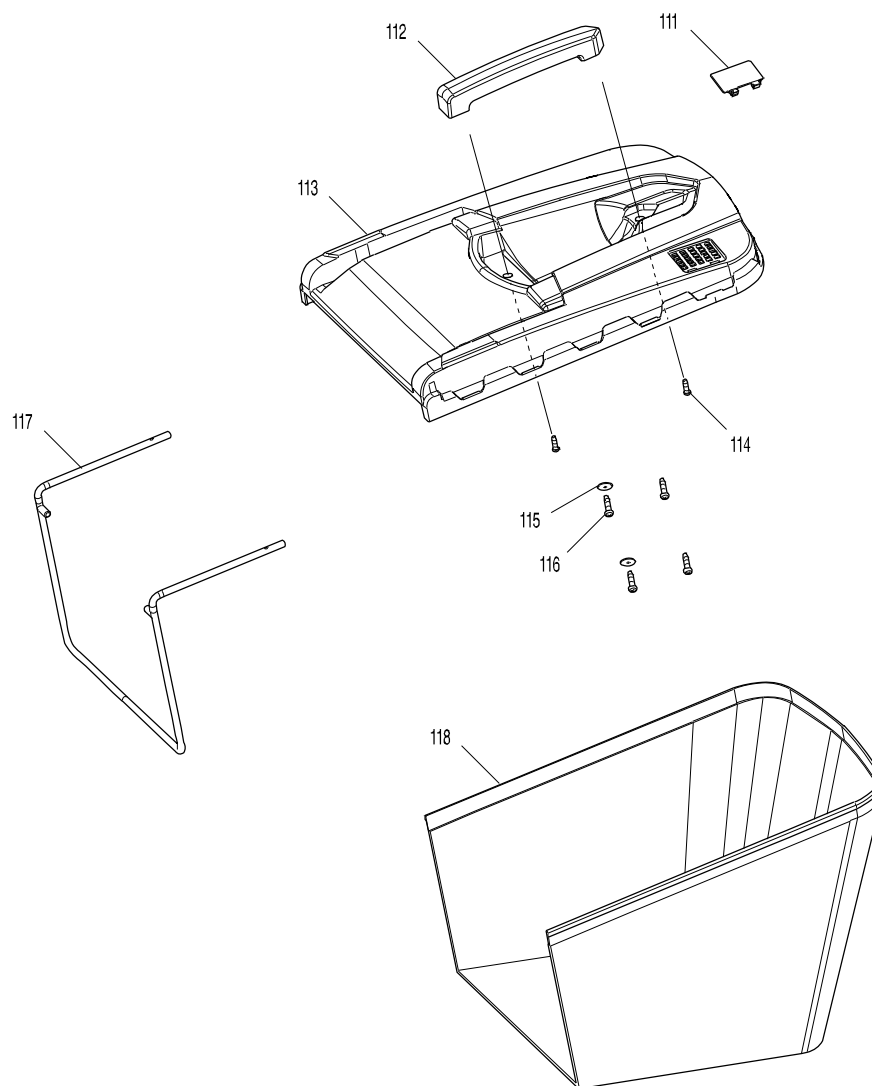


Modellszám DLM380 380MM CORDLESS LAWN MOWER



Modellszám DLM380 380MM CORDLESS LAWN MOWER





Tétel	Cikkszám	Megnevezés	Átala	Menny.	N/O	Opc 1	Opc 2	Megjegyzés
001	142585-1	BATTERY COVER COMPLETE E		1				
C10	263005-3	GUMI CSAPSZEG 6 263005-3		1				
C20	890380-0	CAUTION LABEL		1				
002	266424-2	TAPPING SCREW 4X20		3				
003	266424-2	TAPPING SCREW 4X20		3				
004	187926-4	TERMINAL HOUSING SET		1				
C10	263005-3	GUMI CSAPSZEG 6 263005-3		4				
D10		INC. 6						
005	644808-8	TERMINAL		2				
006	187926-4	TERMINAL HOUSING SET		1				
C10	263005-3	GUMI CSAPSZEG 6 263005-3		4				
D10		INC. 4						
007	803J08-1	MAKITA LOGO LABEL		1				
008	266890-3	TAPPING SCREW 4X16		2				
009	142591-6	COWLING COMPLETE		1				
010	815M03-7	DLM380 NAME PLATE		1				
011	266890-3	TAPPING SCREW 4X16		2				
012	453250-0	LOCK LEVER		1				
013	453251-8	LOCK LEVER SUPPORT		1				
014	233173-6	RUGÓ UC		1				
015	643890-4	KEY		1				
016	266424-2	TAPPING SCREW 4X20		2				
017	638946-6	LEAD UNIT		1				
018	266424-2	TAPPING SCREW 4X20		2				
019	620278-5	LED CIRCUIT		1				
020	455070-8	LED COVER		1				
021	266424-2	TAPPING SCREW 4X20		2				
022	629118-4	DC MOTOR		1				
023	266892-9	+ PAN HEAD SCREW M6X16 WITH WR		3				
024	688162-0	LINE FILTER		1				
025	687010-0	PÁNT 687010-0		1				
026	620277-7	CONTROLLER		1				
027	688165-4	LINE FILTER		1				
028	688162-0	LINE FILTER		1				
029	688140-0	LINE FILTER		1				
030	688165-4	LINE FILTER		1				
031	455064-3	MOTOR BRACKET		1				
032	266890-3	TAPPING SCREW 4X16		2	*			
032-1	266424-2	TAPPING SCREW 4X20	S	2				
033	687A88-9	CORD CLAMP		1				
034	266420-0	CSAVAR HR2810		6				
035	455130-6	BLADE SUPPORT		1				
036	253852-0	LAPOS ALÁTÉT 8 LS1013/5500S		1				
037	196863-1	BLADE 380 SET		1				
038	942201-3	RUGÓS ALÁTÉT 8 942201-3		1				
039	266889-8	HEX BOLT M8X30		1				
040	332106-9	SWITCH LEVER		1				
041	455076-6	SWITCH LEVER CASE		1				

Tétel	Cikkszám	Megnevezés	Átala	Menny.	N/O	Opc 1	Opc 2	Megjegyzés
042	455078-2	ARM		1				
043	455077-4	SWITCH LEVER CASE COVER		1				
044	266424-2	TAPPING SCREW 4X20		1				
045	911138-5	TRAPÉZFEJŰ CSAVAR M4X20		1				
046	266424-2	TAPPING SCREW 4X20		4				
047	455073-2	SWITCH BOX COVER		1				
048	911138-5	TRAPÉZFEJŰ CSAVAR M4X20		1				
049	455074-0	SWITCH BUTTON		1				
050	233068-3	COMPRESSION SPRING 6		1				
051	455075-8	LEVER		1				
052	266424-2	TAPPING SCREW 4X20		2				
053	687124-5	TÖRÉSGÁTLÓ		1				
054	650730-9	SWITCH TG72BD-6		1				
055	231876-6	TENSION SPRING 9		1				
056	455072-4	SWITCH BOX		1				
057	332109-3	UPPER HANDLE		1				
058	660480-8	POWER SUPPLY CORD #16-3-0.95		1				
059	455071-6	CORD HOLDER		1				
060	252657-5	THUMB NUT M8		1				
061	455131-4	CURL WASHER 8		1				
062	266893-7	FLAT HEAD BOLT M8X45		1				
063	266893-7	FLAT HEAD BOLT M8X45		1				
064	455131-4	CURL WASHER 8		1				
065	252657-5	THUMB NUT M8		1				
066	126429-3	GRASS CATCHER ASSEMBLY M		1				
070	DA00000348	REAR COVER ASSEMBLY		1				
071	DA00000332	AXIS		1				
072	DA00000352	SPRING		1				
073	DA00000326	TAPPING SCREW ST5X16		4				
074	DA00000327	THUMB SCREW M8		1	*			
074-1	DA00001237	THUMB SCREW M8	X	1				
075	DA00000350	RIGHT FIXING BOARD OF HANDLE		1				
076	DA00000343	HEXAGON NUT		1				
077	DA00000326	TAPPING SCREW ST5X16		4				
078	DA00000343	HEXAGON NUT		1				
079	DA00000344	LEFT FIXING BOARD OF HANDLE		1				
080	DA00000327	THUMB SCREW M8		1	*			
080-1	DA00001237	THUMB SCREW M8	X	1				
081	DA00000345	LOWER HANDLE BAR		2				
082	DA00000346	PIPE PLUG		2				
083	DA00000354	WATER PROOF STRIP		2				
084A	DA00000334	DECK		1	*			
084B	DA00000334	DECK		1	*			
084-1A	DA00000778	DECK	<	1	*			
084-1B	DA00000778	DECK	<	1	*			
084-1E	DA00000778	DECK		1	*			
084-2	DA00001245	DECK	S	1				
085	DA00000339	HEIGHT ADJUSTMENT HANDLE		1				

Tétel	Cikkszám	Megnevezés	Átala	Menny.	N/O	Opc 1	Opc 2	Megjegyzés
086	266890-3	TAPPING SCREW 4X16		4				
087	DA00000338	HANDLE OF PRESSING BOARD		2				
088	DA00000337	GRASS-PROOF STRAP		1				
089	266890-3	TAPPING SCREW 4X16		2				
090	DA00000353	SPRING OF CONNECTING ROD		1				
091	DA00000347	WASHER		1				
092	DA00000326	TAPPING SCREW ST5X16		1				
093	DA00000341	HEIGHT ADJUSTMENT POLE 2		1				
094	DA00000340	HEIGHT ADJUSTMENT POLE 1		1				
095	DA00000333	CONNECTION ROD PIN		4				
096	266890-3	TAPPING SCREW 4X16		4				
097	DA00000326	TAPPING SCREW ST5X16		1				
098	DA00000351	SIDE DISCHARGE COVER OF DECK		1				
099	DA00000331	7.5" WHEEL COVER		2				
100	DA00000342	HEXAGON LOCKING NUT		2				
101	DA00000330	7.5" WHEEL ASSEMBLY		2				
102A	DA00000335	RETAINER PLATE		2	*			
102B	DA00000335	RETAINER PLATE		2	*			
102-1A	161373-7	PLATE	<	1				
102-1B	161373-7	PLATE	<	1				
102-1E	161373-7	PLATE		1				
103	DA00000326	TAPPING SCREW ST5X16		4				
104	DA00000349	REAR WHEEL AXLE ASSEMBLY		1				
105	DA00000329	5.5" WHEEL COVER		2				
106	DA00000342	HEXAGON LOCKING NUT		2				
107	DA00000328	5.5" WHEEL ASSEMBLY		2				
108	DA00000335	RETAINER PLATE		2				
109	DA00000326	TAPPING SCREW ST5X16		4				
110	DA00000336	FRONT WHEEL AXIS ASSEMBLY		1				
111	DA00000360	LEVEL INDICATOR		1				
112	DA00000359	HANDLE OF GRASS CATCHER		1				
113	DA00000362	UPPER COVER OF GRASS CATCHER		1				
114	DA00000326	TAPPING SCREW ST5X16		2				
115	DA00000361	PRESSING PLATE		2				
116	266890-3	TAPPING SCREW 4X16		4				
117	DA00000358	GRASS CATCHER BRACKET		1				
118	DA00000357	GRASS CATCHER		1				
A01	782016-4	OFFSET WRENCH 13		1				
A02B	***DC18RC	DC18RC FAST CHARGER		1				
A02E	***DC18RD	DC18RD TWO PORT FAST CHARGER		1				
A03B	194204-5	AKKU BL1830 18V 3,0AH LI-ION AKKUM		2	*			
A03-1B	194204-5	AKKU BL1830 18V 3,0AH LI-ION AKKUM	O	2	*			
A03-1E	194204-5	AKKU BL1830 18V 3,0AH LI-ION AKKUM		2	*			
A03-2B	197600-6	BATTERY BL1830B SET	<	2				
A03-2E	197600-6	BATTERY BL1830B SET	<	2				
A04B	450128-8	BATTERY COVER		2	*			
E01	800A17-7	SOUND 94DB LABEL		1				
E02	890374-5	INDICATION LABEL		1				

