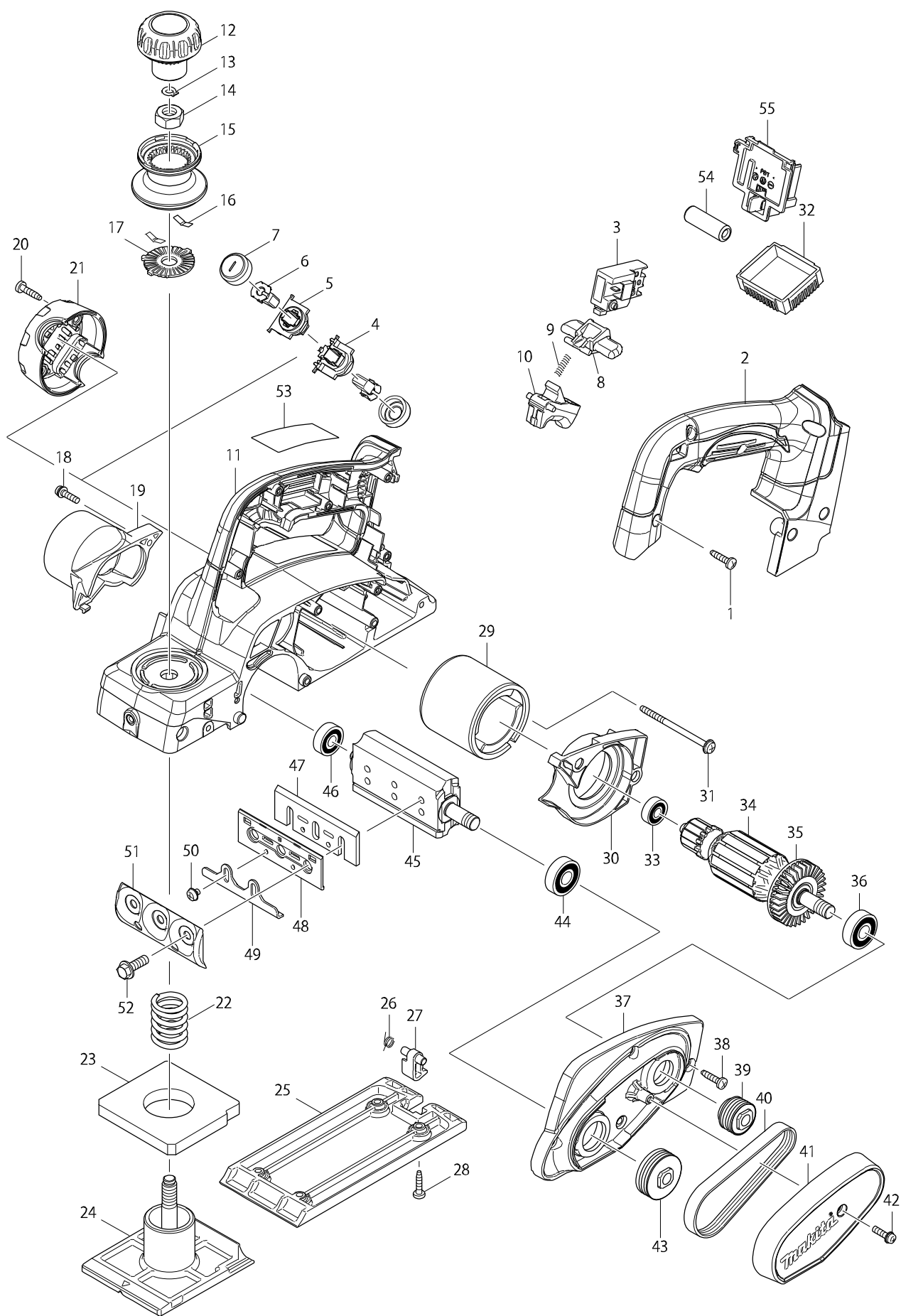


Modellszám DKP180 82MM CORDLESS PLANER



| Tétel | Cikkszám | Megnevezés | Átala | Menny. | N/O | Opc 1 | Opc 2 | Megjegyzés |
|-------|----------|--------------------------------|-------|--------|-----|-------|-------|------------|
| 001 | 266326-2 | CSAVAR 4X18 | | 6 | | | | |
| 002 | 140905-3 | HANDLE COVER COMPLETE | | 1 | | | | |
| C10 | 263005-3 | GUMI CSAPSZEG 6 263005-3 | | 1 | | | | |
| 003 | 650631-1 | KAPCSOLÓ BUC250 | | 1 | | | | |
| 004 | 643872-6 | BRUSH HOLDER | | 1 | | | | |
| 005 | 643873-4 | BRUSH HOLDER | | 1 | | | | |
| 006 | 194435-6 | SZÉNKEFE CB 441 | | 1 | | | | |
| 007 | 643829-7 | SZÉNKEFETARTÓ SAPKA | | 2 | | | | |
| 008 | 419664-3 | LOCK OFF LEVER | | 1 | | | | |
| 009 | 231469-9 | NYOMÓRUGÓ | | 1 | | | | |
| 010 | 419665-1 | SWITCH LEVER | | 1 | | | | |
| 011 | 140904-5 | MAIN FRAME COMPLETE | | 1 | | | | |
| C10 | 263005-3 | GUMI CSAPSZEG 6 263005-3 | | 1 | | | | |
| 012 | 451328-3 | KNOB COVER | | 1 | | | | |
| 013 | 961004-6 | SEEGER-GYŰRŰ S-8 961004-6 | | 1 | | | | |
| 014 | 264028-4 | HEX. NUT M10 | | 1 | | | | |
| 015 | 452480-0 | KNOB | | 1 | * | | | |
| 015-1 | 452480-0 | KNOB | O | 1 | | | | |
| 016 | 232185-6 | LAPRUGÓ 1050DWA | | 2 | | | | |
| 017 | 346110-2 | CAM PLATE | | 1 | * | | | |
| 017-1 | 346110-2 | CAM PLATE | O | 1 | | | | |
| 018 | 911128-8 | TRAPÉZFEJŰ CSAVAR M4X16 911128 | | 1 | | | | |
| 019 | 451329-1 | ADAPTER KP0800 | | 1 | | | | |
| 020 | 266326-2 | CSAVAR 4X18 | | 2 | | | | |
| 021 | 419281-9 | REAR COVER | | 1 | | | | |
| 022 | 231004-3 | NYOMÓRUGÓ 18 1125/1911B/1923 | | 1 | | | | |
| 023 | 421007-7 | SZIVACSGUMI TÖMÍTÉS , GYALU 19 | | 1 | | | | |
| 024 | 319011-7 | FRONT BASE | | 1 | | | | |
| 025 | 319009-4 | BASE | | 1 | | | | |
| 026 | 231698-4 | TORZIÓS RUGÓ KP0810 | | 1 | | | | |
| 027 | 451392-4 | LÁB KP0800 | | 1 | | | | |
| 028 | 266326-2 | CSAVAR 4X18 | | 4 | | | | |
| 029 | 638571-3 | YOKE UNIT | | 1 | | | | |
| 030 | 452479-5 | BAFFLE PLATE | | 1 | | | | |
| 031 | 266292-3 | ÖNMETSZŐ CSAVAR | | 2 | | | | |
| 032 | 620264-6 | CONTROLLER | | 1 | | | | |
| 033 | 210017-7 | GOLYÓSCSAPÁGY 607DDW* | | 1 | | | | |
| 034 | 519272-1 | ARMATURE ASS'Y DC18V | | 1 | | | | |
| D10 | | INC. 33,35,36 | | | | | | |
| 035 | 240052-1 | FAN 46 | | 1 | | | | |
| 036 | 211088-7 | GOLYÓSCSAPÁGY 6000DDW | | 1 | | | | |
| 037 | 140753-0 | BRACKET COMPLETE | | 1 | | | | |
| C10 | 263002-9 | GUMI CSAPSZEG 4 263002-9 | | 2 | | | | |
| 038 | 266326-2 | CSAVAR 4X18 | | 4 | | | | |
| 039 | 222172-3 | V-PULLEY 4-24L | | 1 | | | | |
| 040 | 225007-7 | SZÍJ | | 1 | | | | |
| 041 | 452478-7 | BELT COVER | | 1 | | | | |
| 042 | 911128-8 | TRAPÉZFEJŰ CSAVAR M4X16 911128 | | 1 | | | | |

| Tétel | Cikkszám | Megnevezés | Átala | Menny. | N/O | Opc 1 | Opc 2 | Megjegyzés |
|--------|-----------|------------------------------------|-------|--------|-----|-------|-------|------------|
| 043 | 222173-1 | V-PULLEY 4-33.5 | | 1 | | | | |
| 044 | 211088-7 | GOLYÓSCSAPÁGY 6000DDW | | 1 | | | | |
| 045 | 161061-6 | KÉSHENGER 1901/1900B/M102 | | 1 | | | | |
| 046 | 211032-4 | GOLYÓSCSAPÁGY 608ZZ 1902* | | 1 | | | | |
| 047 | A-82921 | T.C.T. MINI PLANER BLADE | | 1 | | | | |
| 048 | 343433-9 | SZORÍTÓ LEMEZ (EGYENES) - ÚJ | | 2 | | | | |
| 049 | 345644-2 | ÁLLÍTÓ LEMEZ | | 2 | * | | | |
| 049-1 | 345644-2 | ÁLLÍTÓ LEMEZ | S | 2 | | | | |
| 050 | 265132-2 | + PAN HEAD SCREW M4X5 | | 4 | | | | |
| 051 | 187679-5 | NYOMÓLEMEZ SZETT BKP180 | | 1 | | | | |
| 052 | 251609-3 | HATLAPÚ PEREMES CSAVAR M6X17 | | 6 | | | | |
| 053 | 815K71-8 | DKP180 NAME PLATE | | 1 | | | | |
| 054 | 688165-4 | LINE FILTER | | 1 | | | | |
| 055 | 644808-8 | TERMINAL | | 1 | | | | |
| A01 | 165581-2 | GUIDE RULE | | 1 | | | | |
| A02 | 265785-7 | THUMB SCREW M5X10 | | 1 | | | | |
| A03 | 123062-2 | BEÁLLÍTÓ IDOMSZER 1901/1 | | 1 | | | | |
| C10 | 911228-4 | TRAPÉZFEJŰ CSAVAR M5X18 911228 | | 2 | | | | |
| C20 | 411086-3 | BEÁLLÍTÓ IDOMSZER 1100/1923B | | 1 | | | | |
| A04 | 782209-3 | DUGÓKULCS 9 1923B/SR1800 | | 1 | | | | |
| A05E | ***DC18RC | DC18RC FAST CHARGER | | 1 | | | | |
| A05G | ***DC18RC | DC18RC FAST CHARGER | | 1 | | | | |
| A05H | 821551-8 | T2 KOFFER 396X296X210 | | 1 | | | | |
| C10 | 453974-8 | LATCH | | 4 | | | | |
| A05I | ***DC18RC | DC18RC FAST CHARGER | | 1 | | | | |
| A06E | 194204-5 | AKKU BL1830 18V 3,0AH LI-ION AKKUM | | 2 | * | | | |
| A06G | 194204-5 | AKKU BL1830 18V 3,0AH LI-ION AKKUM | | 2 | * | | | |
| A06H | 837808-7 | INNER TRAY | | 1 | | | | |
| A06-1E | 194204-5 | AKKU BL1830 18V 3,0AH LI-ION AKKUM | O | 2 | * | | | |
| A06-1G | 194204-5 | AKKU BL1830 18V 3,0AH LI-ION AKKUM | O | 2 | * | | | |
| A06-1I | 196399-0 | BATTERY BL1840 SET | | 2 | * | | | |
| A06-2E | 197600-6 | BATTERY BL1830B SET | < | 2 | | | | |
| A06-2G | 197600-6 | BATTERY BL1830B SET | < | 2 | | | | |
| A06-2I | 197265-4 | BATTERY BL1840B SET | < | 2 | | | | |
| A07E | 450128-8 | BATTERY COVER | | 1 | | | | |
| A07G | 450128-8 | BATTERY COVER | | 1 | | | | |
| A07H | 803H80-1 | DKP180ZJ INDICATION LABEL | | 1 | | | | |
| A07I | 450128-8 | BATTERY COVER | | 1 | | | | |
| A08E | 824982-0 | PLASTIC CARRYING CASE | | 1 | | | | |
| C10 | 162271-8 | LATCH | | 2 | | | | |
| C20 | 450990-1 | HANDLE | | 1 | | | | |
| A08G | 821551-8 | T2 KOFFER 396X296X210 | | 1 | | | | |
| C10 | 453974-8 | LATCH | | 4 | | | | |
| A08H | 803H81-9 | DKP180ZJ PLASTIC CASE LABEL | | 2 | | | | |
| A08I | 821551-8 | T2 KOFFER 396X296X210 | | 1 | | | | |
| C10 | 453974-8 | LATCH | | 4 | | | | |
| A09E | 837295-0 | INNER TRAY | | 1 | | | | |
| A09G | 837808-7 | INNER TRAY | | 1 | | | | |

