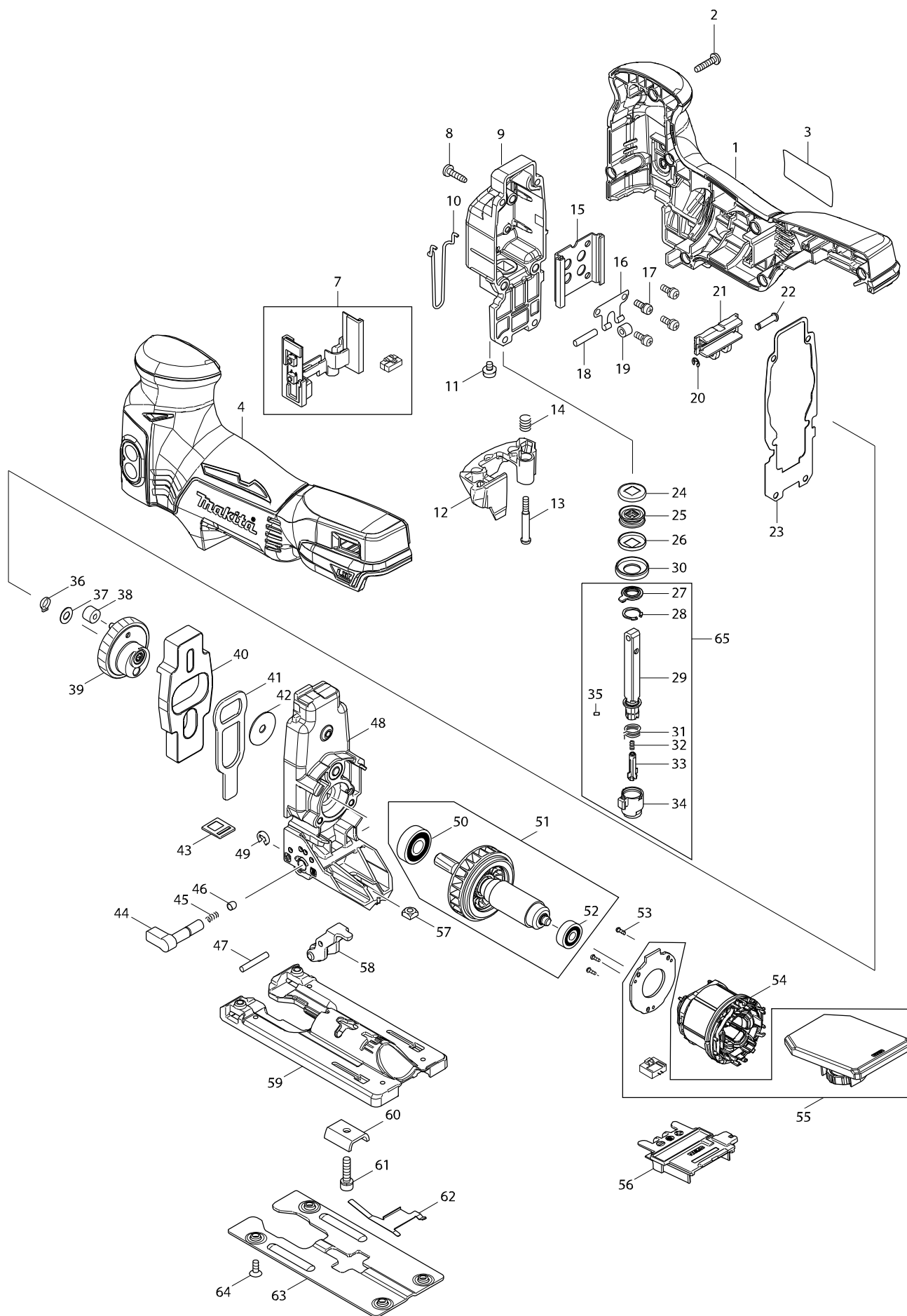


# Modellszám DJV181 CORDLESS JIG SAW



| Tétel  | Cikkszám | Megnevezés                     | Átala | Menny. | N/O | Opc 1 | Opc 2 | Megjegyzés |
|--------|----------|--------------------------------|-------|--------|-----|-------|-------|------------|
| 001    | 187704-2 | HOUSING SET                    |       | 1      |     |       |       |            |
| C10    | 263005-3 | Gumi csapszeg 6 263005-3       |       | 2      |     |       |       |            |
| C20    | 801V48-5 | SWITCH LABEL                   |       | 2      |     |       |       |            |
| D10    |          | INC. 4                         |       |        |     |       |       |            |
| 002    | 265995-6 | Önmetsző csavar M4x18*         |       | 7      |     |       |       |            |
| 003    | 814S24-2 | DJV181 NAME PLATE              |       | 1      |     |       |       |            |
| 004    | 187704-2 | HOUSING SET                    |       | 1      |     |       |       |            |
| C10    | 263005-3 | Gumi csapszeg 6 263005-3       |       | 2      |     |       |       |            |
| C20    | 801V48-5 | SWITCH LABEL                   |       | 2      |     |       |       |            |
| D10    |          | INC. 1                         |       |        |     |       |       |            |
| 007    | 632A96-5 | SWITH UNIT                     |       | 1      |     |       |       |            |
| 008    | 266034-5 | Önmetsző csavar M4x16*         |       | 4      |     |       |       |            |
| 009    | 142112-4 | GEAR HOUSING COVER COMPLETE    |       | 1      |     |       |       |            |
| 010    | 326302-9 | SAFETY WIRE                    |       | 1      |     |       |       |            |
| 011    | 911104-2 | PAN HEAD SCREW M4X6            |       | 1      |     |       |       |            |
| 012    | 454483-0 | TOOL OPENER                    |       | 1      |     |       |       |            |
| 013    | 265026-1 | Trapézfejű csavar M4 3901      |       | 1      |     |       |       |            |
| 014    | 231659-4 | Torziós rugó 6                 |       | 1      |     |       |       |            |
| 015    | 346687-7 | LINEAR GUIDE                   |       | 1      |     |       |       |            |
| 016    | 232207-2 | Laprugó                        |       | 1      |     |       |       |            |
| 017    | 911111-5 | Trapézfejű csavar M4x10 911111 |       | 4      |     |       |       |            |
| 018    | 256117-9 | Csapszeg 4 4324*               |       | 1      |     |       |       |            |
| 019    | 214031-5 | Siklócsapágy 4 214031-5 6913DW |       | 1      |     |       |       |            |
| 020    | 961017-7 | Zárógyűrű E-3 961017-7         |       | 1      |     |       |       |            |
| 021    | 310548-7 | SLIDER                         |       | 1      | *   |       |       |            |
| 021-1  | 310837-0 | SLIDER                         | <     | 1      |     |       |       |            |
| 022    | 268090-1 | Csapszeg 4                     |       | 1      |     |       |       |            |
| 023    | 442195-7 | GASKET                         |       | 1      |     |       |       |            |
| 024    | 267854-0 | CAP WASHER 8                   |       | 1      |     |       |       |            |
| 025    | 421815-6 | DUST SEAL 8                    |       | 1      |     |       |       |            |
| 026    | 267854-0 | CAP WASHER 8                   |       | 1      |     |       |       |            |
| 027    | 424569-4 | DUST COVER                     |       | 1      |     |       |       |            |
| 028    | 962063-3 | RETAINING RING R-13            |       | 1      |     |       |       |            |
| 029    | 165724-6 | ROD                            |       | 1      |     |       |       |            |
| 030    | 257347-5 | RING 21                        |       | 1      |     |       |       |            |
| 031    | 233591-8 | TORSION SPRING 10              |       | 1      |     |       |       |            |
| 032    | 233314-4 | Nyomórugó                      |       | 1      |     |       |       |            |
| 033    | 310485-5 | Rögzítéstift JV0600            |       | 1      |     |       |       |            |
| 034    | 310547-9 | BLADE HOLDER                   |       | 1      |     |       |       |            |
| 035    | 256528-8 | Stift JV0600                   |       | 1      |     |       |       |            |
| 036    | 961002-0 | Seeger-gyűrű S-6 961002-0      |       | 1      |     |       |       |            |
| 037    | 253715-0 | Lapos Alátét 6 253715-0        |       | 1      |     |       |       |            |
| 038A   | 212014-9 | Tűgögs csapágy 407 4300SB/SV/  |       | 1      | *   |       |       |            |
| 038B   | 212014-9 | Tűgögs csapágy 407 4300SB/SV/  |       | 1      | *   |       |       |            |
| 038-1A | 212092-9 | NEEDLE BEARING 407             | O     | 1      |     |       |       |            |
| 038-1B | 212092-9 | NEEDLE BEARING 407             | O     | 1      |     |       |       |            |
| 038-1C | 212092-9 | NEEDLE BEARING 407             |       | 1      |     |       |       |            |
| 038-1D | 212092-9 | NEEDLE BEARING 407             |       | 1      |     |       |       |            |

| Tétel  | Cikkszám | Megnevezés                           | Átala | Menny. | N/O | Opc 1 | Opc 2 | Megjegyzés |
|--------|----------|--------------------------------------|-------|--------|-----|-------|-------|------------|
| 038-1E | 212092-9 | NEEDLE BEARING 407                   |       | 1      |     |       |       |            |
| 039    | 142109-3 | GEAR COMPLETE                        |       | 1      |     |       |       |            |
| 040    | 313260-8 | BALANCE PLATE                        |       | 1      |     |       |       |            |
| 041    | 346688-5 | PUSH PLATE                           |       | 1      |     |       |       |            |
| 042    | 253196-8 | Lapos Alátét 6 9741/2012             |       | 1      |     |       |       |            |
| 043    | 454484-8 | SEAL PLATE                           |       | 1      |     |       |       |            |
| 044A   | 272244-4 | Emelőkar 17                          |       | 1      | *   |       |       |            |
| 044B   | 272244-4 | Emelőkar 17                          |       | 1      | *   |       |       |            |
| 044-1A | 272280-0 | LEVER 17                             | <     | 1      |     |       |       |            |
| 044-1B | 272280-0 | LEVER 17                             | <     | 1      |     |       |       |            |
| 044-1C | 272280-0 | LEVER 17                             |       | 1      |     |       |       |            |
| 044-1D | 272280-0 | LEVER 17                             |       | 1      |     |       |       |            |
| 044-1E | 272280-0 | LEVER 17                             |       | 1      |     |       |       |            |
| 045    | 233139-6 | Kompr.rugó 3                         |       | 1      |     |       |       |            |
| 046    | 286032-3 | Sapka 5                              |       | 1      |     |       |       |            |
| 047    | 268063-4 | Csapszeg 4                           |       | 1      |     |       |       |            |
| 048    | 142111-6 | GEAR HOUSING COMPLETE                |       | 1      |     |       |       |            |
| 049    | 961018-5 | Zárógyűrű E-5 961018-5               |       | 1      |     |       |       |            |
| 050    | 210059-1 | Golyóscsapágy 6000DDW HR4000C        |       | 1      |     |       |       |            |
| 051    | 519329-8 | ROTOR ASS'Y                          |       | 1      |     |       |       |            |
| D10    |          | INC. 50,52                           |       |        |     |       |       |            |
| 052    | 210022-4 | Golyóscsapágy 626DDW 9910/9911       |       | 1      |     |       |       |            |
| 053    | 266490-9 | TAPPING SCREW PT 2X6                 |       | 3      |     |       |       |            |
| 054    | 629996-2 | STATOR                               |       | 1      |     |       |       |            |
| 055    | 620214-1 | CONTROLLER                           |       | 1      |     |       |       |            |
| 056    | 643899-6 | TERMINAL                             |       | 1      |     |       |       |            |
| 057    | 252171-1 | Négylapú anya M5-8                   |       | 1      |     |       |       |            |
| 058    | 142110-8 | RETAINER COMPLETE                    |       | 1      |     |       |       |            |
| 059    | 319016-7 | BASE                                 |       | 1      |     |       |       |            |
| 060    | 345237-5 | Forgattyús lemez                     |       | 1      |     |       |       |            |
| 061    | 922231-0 | Imbuszcsovar M5x20 922231-0          |       | 1      |     |       |       |            |
| 062    | 232208-0 | Laprugó                              |       | 1      |     |       |       |            |
| 063    | 346685-1 | BASE PLATE                           |       | 1      |     |       |       |            |
| 064    | 265085-5 | + COUNTERSUNK HEAD SCREW M4X         |       | 4      |     |       |       |            |
| 065    | 135602-4 | ROD ASS'Y                            |       | 1      |     |       |       |            |
| D10    |          | INC. 27-29,31-35                     |       |        |     |       |       |            |
| A01    | 126331-0 | DUST NOZZLE ASSEMBLY                 |       | 1      |     |       |       |            |
| A02    | 415524-7 | Repeszgátló 4322-4324                |       | 1      |     |       |       |            |
| A03    | 417852-6 | Takarólemez                          |       | 1      |     |       |       |            |
| A04    | A-85737  | T2 Szűrőfűrészlap fémre L80mm Z24 B2 |       | 1      |     |       |       |            |
| A05    | A-85628  | T2 Szűrőfűrészlap fára L130mm Z9 B10 |       | 1      |     |       |       |            |
| A06    | A-85793  | T2 Szűrőfűrészlap spec L90mm Z9 BR13 |       | 1      |     |       |       |            |
| A07    | 783202-0 | Imbuszkulcs 4 783202-0               |       | 1      |     |       |       |            |
| A08B   | 821551-8 | T2 Koffer 396x296x210                |       | 1      |     |       |       |            |
| C10    | 453974-8 | LATCH                                |       | 4      |     |       |       |            |
| A08C   | 821551-8 | T2 Koffer 396x296x210                |       | 1      |     |       |       |            |
| C10    | 453974-8 | LATCH                                |       | 4      |     |       |       |            |
| A08D   | 821551-8 | T2 Koffer 396x296x210                |       | 1      |     |       |       |            |

