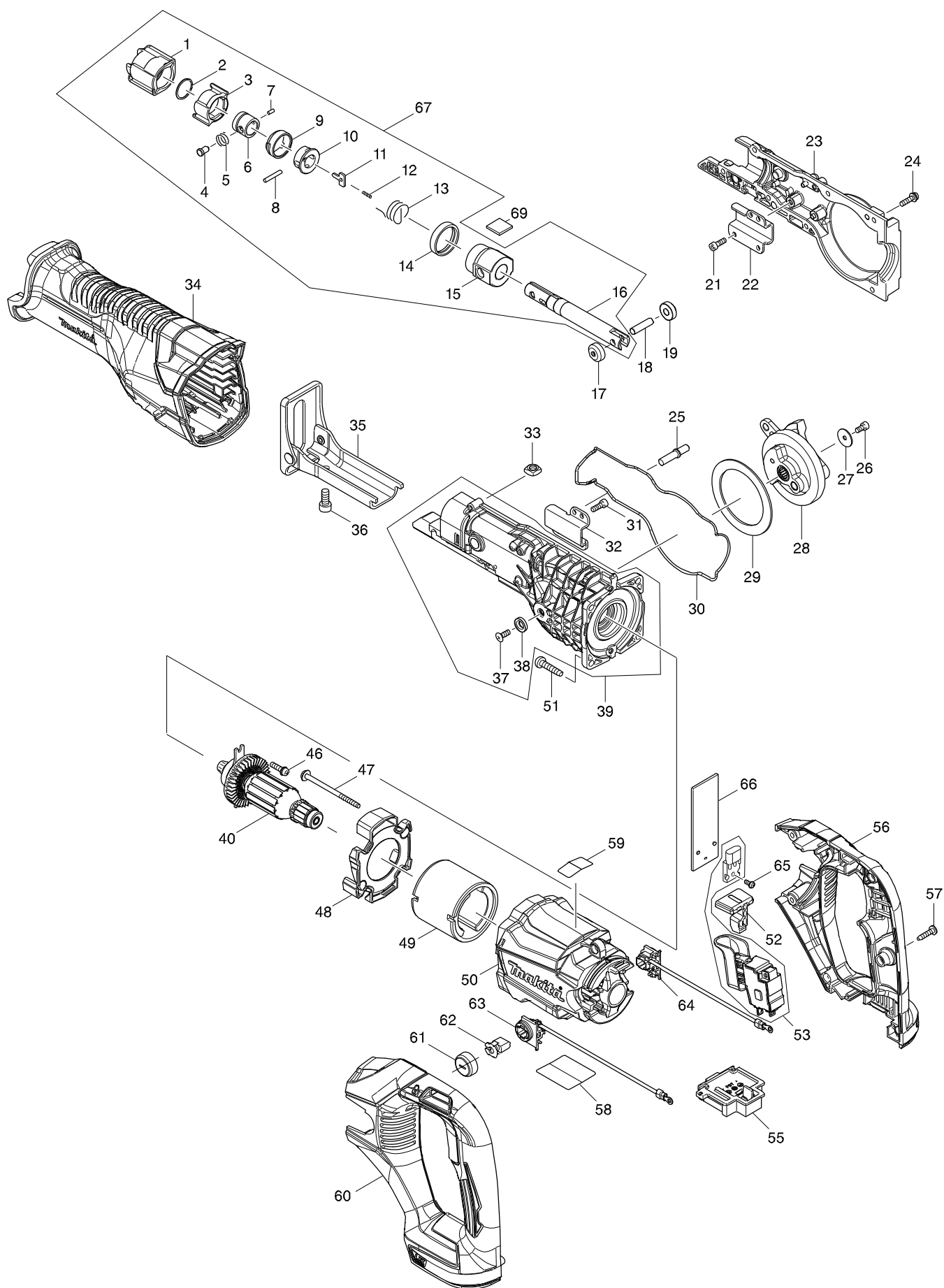


# Modellszám DJR186 CORDLESS RECIPRO SAW



Tétel	Cikkszám	Megnevezés	Átala	Menny.	N/O	Opc 1	Opc 2	Megjegyzés
001	424763-8	PROTECTOR		1				
002	257952-8	RETAINING RING (EXT) 18		1				
003	310662-9	DRIVING SLEEVE		1				
004	256569-4	SHOULDER PIN 5		1				
005	234381-2	COMPRESSION SPRING 6		1				
006	331720-8	GUIDE SLEEVE		1				
007	268094-3	PIN 3		1				
008	256158-5	PIN 3		1				
009	417791-0	DRIVING SLEEVE GUIDE		1				
010	418311-3	SLEEVE		1				
011	345214-7	PUSH PLATE		1				
012	233025-1	COMPRESSION SPRING 2		1				
013	231687-9	TORSION SPRING 17		1				
014	424762-0	RUBBER RING		1				
015	143365-8	SLIDER GUIDE COMPLETE		1				
C10	213151-2	OIL SEAL 14		1				
C20	213174-0	X RING 14		1				
016	161376-1	SLIDER		1				
017	310663-7	ROLLER		1				
018	268341-2	PIN 6		1				
019	310663-7	ROLLER		1				
021	922117-8	HEX. SOCKET HEAD BOLT M4X12		2				
022	346936-2	ROD GUIDE R		1				
023	143381-0	GEAR HOUSING R COMPLETE		1				
024	911128-8	PAN HEAD SCREW M4X16		7				
025	256567-8	SHOULDER PIN 6-8		1				
026	922107-1	HEX. SOCKET HEAD BOLT M4X8		1				
027	267491-0	FLAT WASHER 4		1				
028	143377-1	GEAR COMPLETE		1				
029	267490-2	FLAT WASHER 54		1				
030	424764-6	SEAL RING		1				
031	922117-8	HEX. SOCKET HEAD BOLT M4X12		2				
032	346935-4	ROD GUIDE L		1				
033	252157-5	SQUARE NUT M6		1				
034	424768-8	INSULATION COVER		1				
035	161375-3	SHOE		1				
036	265531-8	HEX.SOCKET HEAD BOLT M6X14		1				
037	912112-6	COUNTERSUNK HEAD SCREW M4X10		1				
038	253825-3	FLAT WASHER 6		1				
039	123511-9	GEAR HOUSING L ASSEMBLY		1				
D10		INC. 37,38						
040	519392-1	ARMATURE ASS'Y 18V		1				
D10		INC. 41-45						
D10		INC. 41-45						
D10		INC. 41-45						
041	961055-9	RETAINING RING S-15		1				
042	211247-3	BALL BEARING 6002DDW		1				
043	227650-8	SPIRAL BEVEL GEAR 7		1				

Tétel	Cikkszám	Megnevezés	Átala	Menny.	N/O	Opc 1	Opc 2	Megjegyzés
044	285740-3	BEARING RETAINER 66		1				
045	210062-2	BALL BEARING 607ZZ		1				
046	911128-8	PAN HEAD SCREW M4X16		2				
047	266292-3	TAPPING SCREW 4X65		2				
048	456207-0	BAFFLE PLATE		1				
049	638571-3	YOKE UNIT		1				
050	456206-2	MOTOR HOUSING		1				
051	266041-8	TAPPING SCREW 5X25		4				
052	456208-8	LOCK OFF BUTTON		1				
053	650760-0	SWITCH TG573FSB-9V		1				
055	644808-8	TERMINAL		1				
056	183C48-6	HANDLE SET		1				
C10	263005-3	RUBBER PIN 6		2				
D10		INC. 60						
057	266326-2	TAPPING SCREW 4X18		6				
058	851R04-1	DJR186 NAME PLATE		1				
060	183C48-6	HANDLE SET		1				
C10	263005-3	RUBBER PIN 6		2				
D10		INC. 56						
061	643829-7	HOLDER CAP		2				
062	194435-6	CARBON BRUSH CB-441		1				
063	643507-9	BRUSH HOLDER		1				
064	643508-7	BRUSH HOLDER		1				
065	911011-9	PAN HEAD SCREW M3X10		1				
066	689204-3	HEAT SINK		1				
067	123510-1	SLIDER ASSEMBLY		1				
D10		INC. 1-16						
068	688131-1	LINE FILTER		1				
069	424858-7	FELT 16X16		1				
A01	B-05169	RECIPROSAWBLADE FOR METAL		1				
A02	B-05175	RECIPROSAWBLADE FOR WOOD		1				
A03B	821620-5	PLASTIC CARRYING CASE		1				
C10	162271-8	LATCH		2				
A03C	821620-5	PLASTIC CARRYING CASE		1				
C10	162271-8	LATCH		2				
A03D	821620-5	PLASTIC CARRYING CASE		1				
C10	162271-8	LATCH		2				
A04B	808A62-6	DJR186RME PLASTIC CASE LABEL		2				
A04C	808A68-4	DJR186RFE PLASTIC CASE LABEL		2				
A04D	808A73-1	DJR186RTE PLASTIC CASE LABEL		2				
A05B	450128-8	BATTERY COVER		1				
A05C	450128-8	BATTERY COVER		1				
A05D	450128-8	BATTERY COVER		1				
A06B	***DC18RC	DC18RC FAST CHARGER		1				
D10		COMPO-PARTS						
A06C	***DC18RC	DC18RC FAST CHARGER		1				
D10		COMPO-PARTS						
A06D	***DC18RC	DC18RC FAST CHARGER		1				

