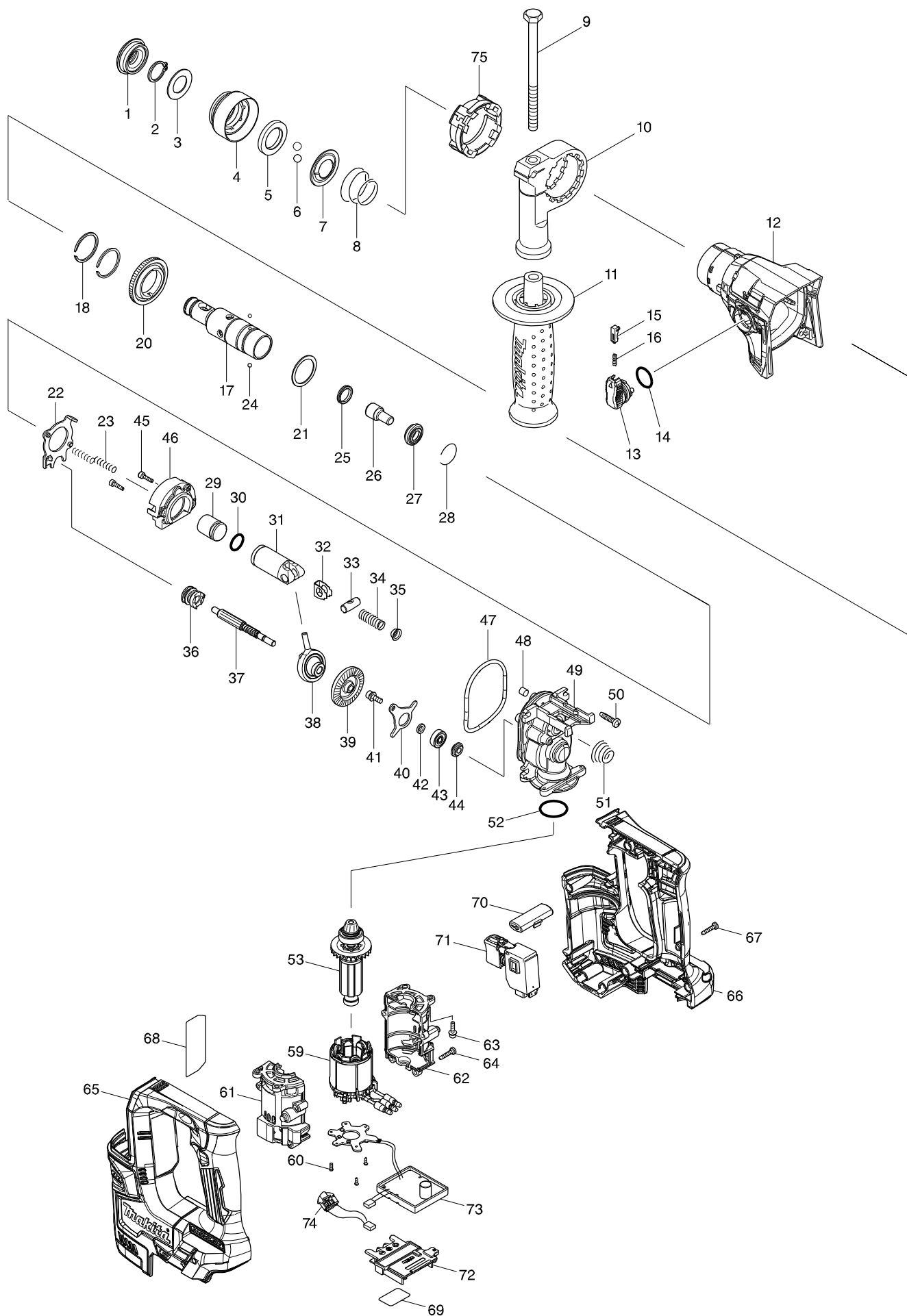


Modellszám DHR171 17MM CORDLESS ROTARY HAMMER



| Tétel | Cikkszám | Megnevezés | Átalak | Menny. | N/O | Opc 1 | Opc 2 | Megjegyzés |
|-------|----------|-----------------------------|--------|--------|-----|-------|-------|------------|
| 001 | 286037-3 | CAP 34 | | 1 | | | | |
| 002 | 961057-5 | RETAINING RING S-17 | | 1 | | | | |
| 003 | 253377-4 | FLAT WASHER 17 | | 1 | | | | |
| 004 | 457214-6 | CHUCK COVER | | 1 | | | | |
| 005 | 257416-2 | RING 21 | | 1 | | | | |
| 006 | 216022-2 | STEEL BALL 7.0 | | 2 | | | | |
| 007 | 346177-0 | GUIDE WASHER | | 1 | | | | |
| 008 | 232347-6 | CONICAL COMP. SPRING 21-29 | | 1 | | | | |
| 009 | 921923-8 | HEX. BOLT M8X120 | | 1 | | | | |
| 010 | 417911-6 | GRIP BASE | | 1 | | | | |
| 011 | 158057-6 | GRIP 36 COMPLETE | | 1 | | | | |
| C10 | 931402-8 | HEX. NUT M8 | | 1 | | | | |
| 012 | 144218-4 | GEAR HOUSING COMPLETE | | 1 | | | | |
| C10 | 211375-4 | BALL BEARING 6805LLB | | 1 | | | | |
| C20 | 213788-5 | OIL SEAL 25 | | 1 | | | | |
| 013 | 161569-0 | CHANGE LEVER COMPLETE | | 1 | | | | |
| 014 | 213278-8 | O RING 17 | | 1 | | | | |
| 015 | 161568-2 | LOCK BUTTON COMPLETE | | 1 | | | | |
| 016 | 232344-2 | COMPRESSION SPRING 3 | | 1 | | | | |
| 017 | 326841-9 | TOOL HOLDER | | 1 | | | | |
| 018 | 961135-1 | RETAINING(EXT) WR-25 | | 2 | | | | |
| 020 | 221483-3 | SPUR GEAR 57 | | 1 | | | | |
| 021 | 267175-0 | FLAT WASHER 24 | | 1 | | | | |
| 022 | 161570-5 | CHANGE PLATE COMPLITE | | 1 | | | | |
| 023 | 233194-8 | COMPRESSION SPRING 4 | | 2 | | | | |
| 024 | 216019-1 | STEEL BALL 3 | | 2 | | | | |
| 025 | 213183-9 | X RING 13 | | 1 | | | | |
| 026 | 326843-5 | IMPACT BOLT | | 1 | | | | |
| 027 | 326842-7 | RING 10 | | 1 | | | | |
| 028 | 232343-4 | RING SPRING 23 | | 1 | | | | |
| 029 | 327007-4 | STRIKER | | 1 | | | | |
| 030 | 213128-7 | O RING 12 | | 1 | | | | |
| 031 | 319510-9 | PISTON CYLINDER | | 1 | | | | |
| 032 | 347101-6 | GUIDE PLATE | | 1 | | | | |
| 033 | 326846-9 | PISTON JOINT | | 1 | | | | |
| 034 | 232346-8 | COMPRESSION SPRING 8 | | 1 | | | | |
| 035 | 347102-4 | SPRING GUIDE | | 1 | | | | |
| 036 | 326845-1 | CLUTCH CAM | | 1 | | | | |
| 037 | 221482-5 | SPUR GEAR 8 | | 1 | | | | |
| 038 | 219026-3 | SWASH BEARING 6 | | 1 | | | | |
| 039 | 221481-7 | SPIRAL BEVEL GEAR 37 | | 1 | | | | |
| 040 | 347100-8 | BEARING RETAINER | | 1 | | | | |
| 041 | 266273-7 | HEX. SOCKET HEAD BOLT M4X12 | | 1 | | | | |
| 042 | 257415-4 | RING 5 | | 1 | | | | |
| 043 | 210065-6 | BALL BEARING 625ZZ | | 1 | | | | |
| 044 | 326847-7 | RING 5 | | 1 | | | | |
| 045 | 265910-0 | HEX. SOCKET HEAD BOLT M3X12 | | 2 | | | | |
| 046 | 144219-2 | INNER SUPPORT COMPLETE | | 1 | | | | |

