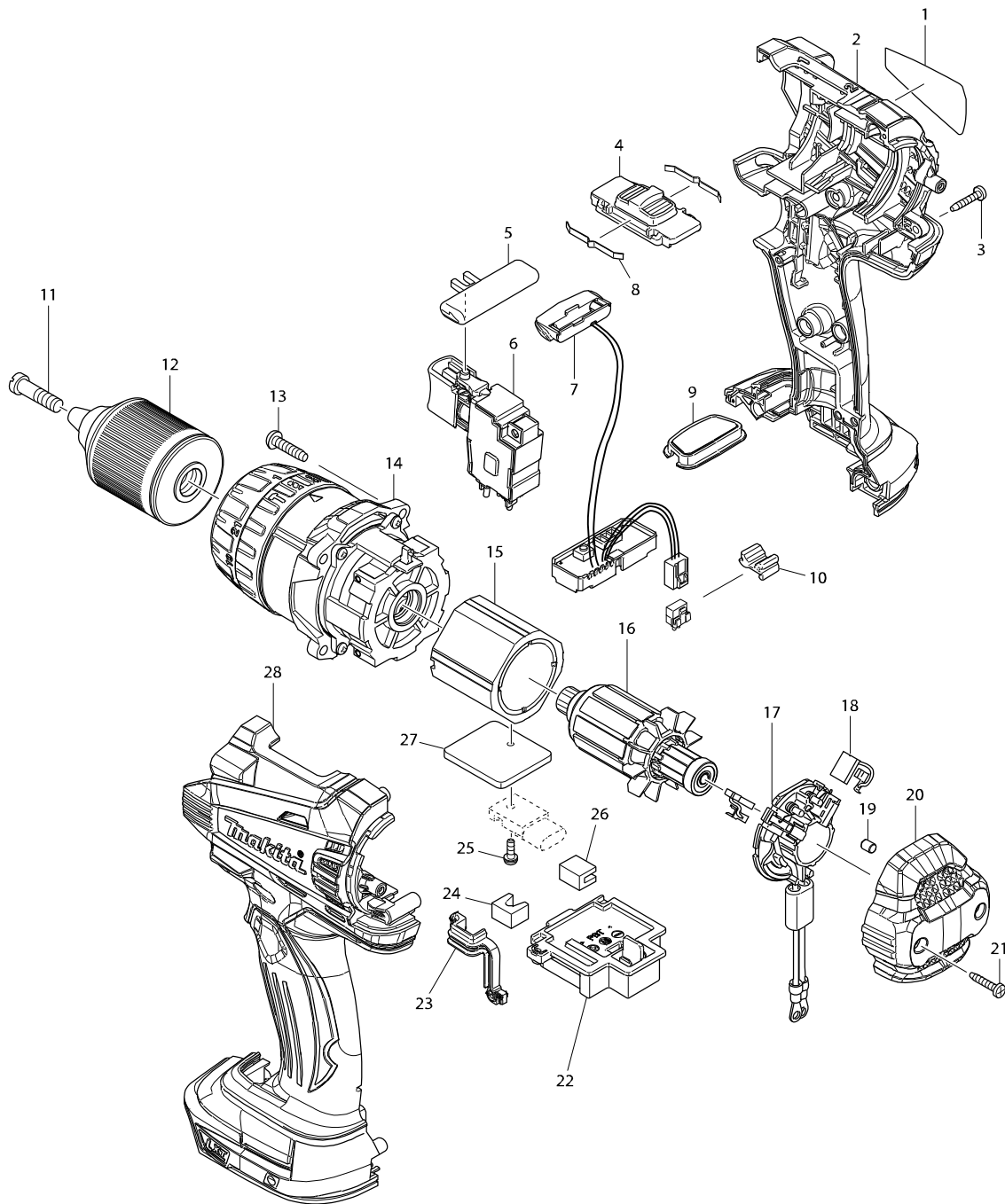


Modellszám DHP458 CORDLESS HAMMER DRIVER DRILL



Modellszám DHP458 CORDLESS HAMMER DRIVER/DRILL

| Tétel | Cikkszár | Megnevezés | Áta | Menn | N/C | Opc 1 | Opc 2 | Megjegyzés |
|--------|----------|-----------------------------|-----|------|-----|-------|-------|------------|
| 001 | 814Y76-9 | DHP458 NAME PLATE | | 1 | | | | |
| C10 | 263005-3 | Gumi csapszeg 6 263005-3 | | 2 | | | | |
| C20 | 252126-6 | HEX. LOCKING NUT M4-7 | | 2 | | | | |
| D10 | | INC. 28 | | | | | | |
| 002G | 187430-3 | Ú Motorház BDF458 | | 1 | | | | |
| 002H | 187430-3 | Ú Motorház BDF458 | | 1 | | | | |
| 002I | 187430-3 | Ú Motorház BDF458 | | 1 | | | | |
| 002J | 187430-3 | Ú Motorház BDF458 | | 1 | | | | |
| 002K | 187430-3 | Ú Motorház BDF458 | | 1 | | | | |
| 002L | 187430-3 | Ú Motorház BDF458 | | 1 | | | | |
| 002M | 187430-3 | Ú Motorház BDF458 | | 1 | | | | |
| 002N | 187430-3 | Ú Motorház BDF458 | | 1 | | | | |
| 002O | 187930-3 | HOUSING SET | | 1 | | | | |
| 002P | 187930-3 | HOUSING SET | | 1 | | | | |
| 002Q | 187930-3 | HOUSING SET | | 1 | | | | |
| 003 | 266130-9 | Önmetsző csavar M3x16* | | 7 | | | | |
| 004 | 126100-9 | SPEED CHANGE LEVER ASSEMBLY | | | | | | |
| C10 | 233438-6 | COMPRESSION SPRING 4 | | 2 | | | | |
| 005 | 419250-0 | Váltókapcsoló /BDF442 | | 1 | | | | |
| 006 | 650724-4 | SWITCH TG573FSB-3 | | 1 | | | | |
| 007 | 620138-1 | LIGHT CIRCUIT | | 1 | | | | |
| 008 | 232220-0 | Laprugó /6319DWFE | | 2 | | | | |
| 009 | 140963-9 | SWITCH PLATE COMPLETE | | 1 | | | | |
| 010 | 424476-1 | CUSHION | | 1 | | | | |
| 011 | 251468-5 | Csavar M6x22 | | 1 | | | | |
| 012 | 766015-4 | KEYLESS DRILL CHUCK 13 | | 1 | | | | |
| 013 | 265995-6 | Önmetsző csavar M4x18* | | 4 | | | | |
| 014G | 126099-8 | GEAR ASSEMBLY | | 1 | * | | | |
| 014H | 126099-8 | GEAR ASSEMBLY | | 1 | * | | | |
| 014I | 126099-8 | GEAR ASSEMBLY | | 1 | * | | | |
| 014J | 126099-8 | GEAR ASSEMBLY | | 1 | * | | | |
| 014K | 126099-8 | GEAR ASSEMBLY | | 1 | * | | | |
| 014L | 126099-8 | GEAR ASSEMBLY | | 1 | * | | | |
| 014-1G | 126448-9 | GEAR ASSEMBLY | < | 1 | | | | |
| 014-1H | 126448-9 | GEAR ASSEMBLY | < | 1 | | | | |
| 014-1I | 126448-9 | GEAR ASSEMBLY | < | 1 | | | | |
| 014-1J | 126448-9 | GEAR ASSEMBLY | < | 1 | | | | |
| 014-1K | 126448-9 | GEAR ASSEMBLY | < | 1 | | | | |
| 014-1L | 126448-9 | GEAR ASSEMBLY | < | 1 | | | | |
| 014-1M | 126448-9 | GEAR ASSEMBLY | | 1 | | | | |
| 014-1N | 126448-9 | GEAR ASSEMBLY | | 1 | | | | |
| 014-1O | 126448-9 | GEAR ASSEMBLY | | 1 | | | | |
| 014-1P | 126448-9 | GEAR ASSEMBLY | | 1 | | | | |
| 014-1Q | 126448-9 | GEAR ASSEMBLY | | 1 | | | | |
| 015 | 638989-8 | YOKE UNIT | | 1 | | | | |
| 016 | 619301-1 | ARMATURE | | 1 | | | | |
| 017 | 638991-1 | BRUSH HOLDER COMPLETE | | 1 | | | | |
| C10 | 688172-7 | LINE FILTER | | 1 | | | | |

Kérem az alkatrészt cikkszámmal rendelje meg.

Dátum nyomtatása 2015/

Modellszám DHP458 CORDLESS HAMMER DRIVER/DRILL

| Tétel | Cikkszár | Megnevezés | Áta | Menn | N/C | Opc 1 | Opc 2 | Megjegyzés |
|-------|----------|--------------------------------|-----|------|-----|-------|-------|------------|
| 018 | 194427-5 | Szénkefe /BDF452RFE | | 1 | | | | |
| 019 | 263032-0 | Gumistift | | 2 | | | | |
| 020G | 453394-6 | REAR COVER | | 1 | | | | |
| 020H | 453394-6 | REAR COVER | | 1 | | | | |
| 020I | 453394-6 | REAR COVER | | 1 | | | | |
| 020J | 453394-6 | REAR COVER | | 1 | | | | |
| 020K | 453394-6 | REAR COVER | | 1 | | | | |
| 020L | 453394-6 | REAR COVER | | 1 | | | | |
| 020M | 453394-6 | REAR COVER | | 1 | | | | |
| 020N | 453394-6 | REAR COVER | | 1 | | | | |
| 020O | 455146-1 | REAR COVER | | 1 | | | | |
| 020P | 455146-1 | REAR COVER | | 1 | | | | |
| 020Q | 455146-1 | REAR COVER | | 1 | | | | |
| 021 | 266130-9 | Önmetsző csavar M3x16* | | 2 | | | | |
| 022 | 644808-8 | TERMINAL | | 1 | | | | |
| 023 | 424430-5 | SEAL | | 1 | | | | |
| 024 | 423422-1 | SPONGE A | | 1 | | | | |
| 025 | 911013-5 | Trapézfejű csavar M3x10 911013 | | 1 | | | | |
| 026 | 423423-9 | SPONGE B | | 1 | | | | |
| 027 | 689176-2 | HEAT SINK | | 1 | | | | |
| C10 | 263005-3 | Gumi csapszeg 6 263005-3 | | 2 | | | | |
| C20 | 252126-6 | HEX. LOCKING NUT M4-7 | | 2 | | | | |
| D10 | | INC. 2 | | | | | | |
| 028G | 187430-3 | Ú Motorház BDF458 | | 1 | | | | |
| 028H | 187430-3 | Ú Motorház BDF458 | | 1 | | | | |
| 028I | 187430-3 | Ú Motorház BDF458 | | 1 | | | | |
| 028J | 187430-3 | Ú Motorház BDF458 | | 1 | | | | |
| 028K | 187430-3 | Ú Motorház BDF458 | | 1 | | | | |
| 028L | 187430-3 | Ú Motorház BDF458 | | 1 | | | | |
| 028M | 187430-3 | Ú Motorház BDF458 | | 1 | | | | |
| 028N | 187430-3 | Ú Motorház BDF458 | | 1 | | | | |
| 028O | 187930-3 | HOUSING SET | | 1 | | | | |
| 028P | 187930-3 | HOUSING SET | | 1 | | | | |
| 028Q | 187930-3 | HOUSING SET | | 1 | | | | |
| A01G | 126131-8 | GRIP ASSEMBLY | | 1 | * | | | |
| C10 | 154935-8 | GRIP 36 COMPLETE | | 1 | * | | | |
| C20 | 266750-9 | SQUARE BOLT M8X100 | | 1 | * | | | |
| C30 | 346566-9 | GRIP SPRING 60 | | 1 | * | | | |
| C40 | 453584-1 | GRIP BASE 60 | | 1 | * | | | |
| C50 | 265785-7 | THUMB SCREW M5X10 | | 1 | * | | | |
| C60 | 931202-6 | Hatlapú anya M5 931202-6 | | 1 | * | | | |
| A01H | 126131-8 | GRIP ASSEMBLY | | 1 | * | | | |
| C10 | 154935-8 | GRIP 36 COMPLETE | | 1 | * | | | |
| C20 | 266750-9 | SQUARE BOLT M8X100 | | 1 | * | | | |
| C30 | 346566-9 | GRIP SPRING 60 | | 1 | * | | | |
| C40 | 453584-1 | GRIP BASE 60 | | 1 | * | | | |
| C50 | 265785-7 | THUMB SCREW M5X10 | | 1 | * | | | |
| C60 | 931202-6 | Hatlapú anya M5 931202-6 | | 1 | * | | | |

Kérem az alkatrészt cikkszámmal rendelje meg.

Dátum nyomtatása 2015/

Modellszám DHP458 CORDLESS HAMMER DRIVER/DRILL

| Tétel | Cikkszár | Megnevezés | Áta | Menn | N/C | Opc 1 | Opc 2 | Megjegyzés |
|-------|----------|--------------------------|-----|------|-----|-------|-------|------------|
| A01I | 126131-8 | GRIP ASSEMBLY | | 1 | * | | | |
| C10 | 154935-8 | GRIP 36 COMPLETE | | 1 | * | | | |
| C20 | 266750-9 | SQUARE BOLT M8X100 | | 1 | * | | | |
| C30 | 346566-9 | GRIP SPRING 60 | | 1 | * | | | |
| C40 | 453584-1 | GRIP BASE 60 | | 1 | * | | | |
| C50 | 265785-7 | THUMB SCREW M5X10 | | 1 | * | | | |
| C60 | 931202-6 | Hatlapú anya M5 931202-6 | | 1 | * | | | |
| A01J | 126131-8 | GRIP ASSEMBLY | | 1 | * | | | |
| C10 | 154935-8 | GRIP 36 COMPLETE | | 1 | * | | | |
| C20 | 266750-9 | SQUARE BOLT M8X100 | | 1 | * | | | |
| C30 | 346566-9 | GRIP SPRING 60 | | 1 | * | | | |
| C40 | 453584-1 | GRIP BASE 60 | | 1 | * | | | |
| C50 | 265785-7 | THUMB SCREW M5X10 | | 1 | * | | | |
| C60 | 931202-6 | Hatlapú anya M5 931202-6 | | 1 | * | | | |
| A01K | 126131-8 | GRIP ASSEMBLY | | 1 | * | | | |
| C10 | 154935-8 | GRIP 36 COMPLETE | | 1 | * | | | |
| C20 | 266750-9 | SQUARE BOLT M8X100 | | 1 | * | | | |
| C30 | 346566-9 | GRIP SPRING 60 | | 1 | * | | | |
| C40 | 453584-1 | GRIP BASE 60 | | 1 | * | | | |
| C50 | 265785-7 | THUMB SCREW M5X10 | | 1 | * | | | |
| C60 | 931202-6 | Hatlapú anya M5 931202-6 | | 1 | * | | | |
| A01L | 126131-8 | GRIP ASSEMBLY | | 1 | * | | | |
| C10 | 154935-8 | GRIP 36 COMPLETE | | 1 | * | | | |
| C20 | 266750-9 | SQUARE BOLT M8X100 | | 1 | * | | | |
| C30 | 346566-9 | GRIP SPRING 60 | | 1 | * | | | |
| C40 | 453584-1 | GRIP BASE 60 | | 1 | * | | | |
| C50 | 265785-7 | THUMB SCREW M5X10 | | 1 | * | | | |
| C60 | 931202-6 | Hatlapú anya M5 931202-6 | | 1 | * | | | |
| A01M | 126131-8 | GRIP ASSEMBLY | | 1 | * | | | |
| C10 | 154935-8 | GRIP 36 COMPLETE | | 1 | * | | | |
| C20 | 266750-9 | SQUARE BOLT M8X100 | | 1 | * | | | |
| C30 | 346566-9 | GRIP SPRING 60 | | 1 | * | | | |
| C40 | 453584-1 | GRIP BASE 60 | | 1 | * | | | |
| C50 | 265785-7 | THUMB SCREW M5X10 | | 1 | * | | | |
| C60 | 931202-6 | Hatlapú anya M5 931202-6 | | 1 | * | | | |
| A01N | 126131-8 | GRIP ASSEMBLY | | 1 | * | | | |
| C10 | 154935-8 | GRIP 36 COMPLETE | | 1 | * | | | |
| C20 | 266750-9 | SQUARE BOLT M8X100 | | 1 | * | | | |
| C30 | 346566-9 | GRIP SPRING 60 | | 1 | * | | | |
| C40 | 453584-1 | GRIP BASE 60 | | 1 | * | | | |
| C50 | 265785-7 | THUMB SCREW M5X10 | | 1 | * | | | |
| C60 | 931202-6 | Hatlapú anya M5 931202-6 | | 1 | * | | | |
| A01O | 126131-8 | GRIP ASSEMBLY | | 1 | * | | | |
| C10 | 154935-8 | GRIP 36 COMPLETE | | 1 | * | | | |
| C20 | 266750-9 | SQUARE BOLT M8X100 | | 1 | * | | | |
| C30 | 346566-9 | GRIP SPRING 60 | | 1 | * | | | |
| C40 | 453584-1 | GRIP BASE 60 | | 1 | * | | | |
| C50 | 265785-7 | THUMB SCREW M5X10 | | 1 | * | | | |

Kérem az alkatrészt cikkszámmal rendelje meg.

Dátum nyomtatása 2015/

Modellszám DHP458 CORDLESS HAMMER DRIVER DRILL

| Tétel | Cikkszár | Megnevezés | Áta | Menn | N/C | Opc 1 | Opc 2 | Megjegyzés |
|--------|----------|--------------------------|-----|------|-----|-------|-------|------------|
| C60 | 931202-6 | Hatlapú anya M5 931202-6 | | 1 | * | | | |
| A01P | 126131-8 | GRIP ASSEMBLY | | 1 | * | | | |
| C10 | 154935-8 | GRIP 36 COMPLETE | | 1 | * | | | |
| C20 | 266750-9 | SQUARE BOLT M8X100 | | 1 | * | | | |
| C30 | 346566-9 | GRIP SPRING 60 | | 1 | * | | | |
| C40 | 453584-1 | GRIP BASE 60 | | 1 | * | | | |
| C50 | 265785-7 | THUMB SCREW M5X10 | | 1 | * | | | |
| C60 | 931202-6 | Hatlapú anya M5 931202-6 | | 1 | * | | | |
| A01-1G | 123257-7 | GRIP ASSEMBLY | < | 1 | | | | |
| C10 | 154935-8 | GRIP 36 COMPLETE | | 1 | | | | |
| C20 | 266899-5 | SQUARE BOLT M8X140 | | 1 | | | | |
| C30 | 346566-9 | GRIP SPRING 60 | | 1 | | | | |
| C40 | 455189-3 | GRIP BASE 60 | | 1 | | | | |
| C50 | 265785-7 | THUMB SCREW M5X10 | | 1 | | | | |
| C60 | 931202-6 | Hatlapú anya M5 931202-6 | | 1 | | | | |
| A01-1H | 123257-7 | GRIP ASSEMBLY | < | 1 | | | | |
| C10 | 154935-8 | GRIP 36 COMPLETE | | 1 | | | | |
| C20 | 266899-5 | SQUARE BOLT M8X140 | | 1 | | | | |
| C30 | 346566-9 | GRIP SPRING 60 | | 1 | | | | |
| C40 | 455189-3 | GRIP BASE 60 | | 1 | | | | |
| C50 | 265785-7 | THUMB SCREW M5X10 | | 1 | | | | |
| C60 | 931202-6 | Hatlapú anya M5 931202-6 | | 1 | | | | |
| A01-1I | 123257-7 | GRIP ASSEMBLY | < | 1 | | | | |
| C10 | 154935-8 | GRIP 36 COMPLETE | | 1 | | | | |
| C20 | 266899-5 | SQUARE BOLT M8X140 | | 1 | | | | |
| C30 | 346566-9 | GRIP SPRING 60 | | 1 | | | | |
| C40 | 455189-3 | GRIP BASE 60 | | 1 | | | | |
| C50 | 265785-7 | THUMB SCREW M5X10 | | 1 | | | | |
| C60 | 931202-6 | Hatlapú anya M5 931202-6 | | 1 | | | | |
| A01-1J | 123257-7 | GRIP ASSEMBLY | < | 1 | | | | |
| C10 | 154935-8 | GRIP 36 COMPLETE | | 1 | | | | |
| C20 | 266899-5 | SQUARE BOLT M8X140 | | 1 | | | | |
| C30 | 346566-9 | GRIP SPRING 60 | | 1 | | | | |
| C40 | 455189-3 | GRIP BASE 60 | | 1 | | | | |
| C50 | 265785-7 | THUMB SCREW M5X10 | | 1 | | | | |
| C60 | 931202-6 | Hatlapú anya M5 931202-6 | | 1 | | | | |
| A01-1K | 123257-7 | GRIP ASSEMBLY | < | 1 | | | | |
| C10 | 154935-8 | GRIP 36 COMPLETE | | 1 | | | | |
| C20 | 266899-5 | SQUARE BOLT M8X140 | | 1 | | | | |
| C30 | 346566-9 | GRIP SPRING 60 | | 1 | | | | |
| C40 | 455189-3 | GRIP BASE 60 | | 1 | | | | |
| C50 | 265785-7 | THUMB SCREW M5X10 | | 1 | | | | |
| C60 | 931202-6 | Hatlapú anya M5 931202-6 | | 1 | | | | |
| A01-1L | 123257-7 | GRIP ASSEMBLY | < | 1 | | | | |
| C10 | 154935-8 | GRIP 36 COMPLETE | | 1 | | | | |
| C20 | 266899-5 | SQUARE BOLT M8X140 | | 1 | | | | |
| C30 | 346566-9 | GRIP SPRING 60 | | 1 | | | | |
| C40 | 455189-3 | GRIP BASE 60 | | 1 | | | | |

Kérem az alkatrészt cikkszámmal rendelje meg.

Dátum nyomtatása 2015/

Modellszám DHP458 CORDLESS HAMMER DRIVER/DRILL

| Tétel | Cikkszár | Megnevezés | Átal | Menn | N/C | Opc 1 | Opc 2 | Megjegyzés |
|--------|-----------|--------------------------------------|------|------|-----|-------|-------|------------|
| C50 | 265785-7 | THUMB SCREW M5X10 | | 1 | | | | |
| C60 | 931202-6 | Hatlapú anya M5 931202-6 | | 1 | | | | |
| A01-1M | 123257-7 | GRIP ASSEMBLY | < | 1 | | | | |
| C10 | 154935-8 | GRIP 36 COMPLETE | | 1 | | | | |
| C20 | 266899-5 | SQUARE BOLT M8X140 | | 1 | | | | |
| C30 | 346566-9 | GRIP SPRING 60 | | 1 | | | | |
| C40 | 455189-3 | GRIP BASE 60 | | 1 | | | | |
| C50 | 265785-7 | THUMB SCREW M5X10 | | 1 | | | | |
| C60 | 931202-6 | Hatlapú anya M5 931202-6 | | 1 | | | | |
| A01-1N | 123257-7 | GRIP ASSEMBLY | < | 1 | | | | |
| C10 | 154935-8 | GRIP 36 COMPLETE | | 1 | | | | |
| C20 | 266899-5 | SQUARE BOLT M8X140 | | 1 | | | | |
| C30 | 346566-9 | GRIP SPRING 60 | | 1 | | | | |
| C40 | 455189-3 | GRIP BASE 60 | | 1 | | | | |
| C50 | 265785-7 | THUMB SCREW M5X10 | | 1 | | | | |
| C60 | 931202-6 | Hatlapú anya M5 931202-6 | | 1 | | | | |
| A01-1O | 123257-7 | GRIP ASSEMBLY | < | 1 | | | | |
| C10 | 154935-8 | GRIP 36 COMPLETE | | 1 | | | | |
| C20 | 266899-5 | SQUARE BOLT M8X140 | | 1 | | | | |
| C30 | 346566-9 | GRIP SPRING 60 | | 1 | | | | |
| C40 | 455189-3 | GRIP BASE 60 | | 1 | | | | |
| C50 | 265785-7 | THUMB SCREW M5X10 | | 1 | | | | |
| C60 | 931202-6 | Hatlapú anya M5 931202-6 | | 1 | | | | |
| A01-1P | 123257-7 | GRIP ASSEMBLY | < | 1 | | | | |
| C10 | 154935-8 | GRIP 36 COMPLETE | | 1 | | | | |
| C20 | 266899-5 | SQUARE BOLT M8X140 | | 1 | | | | |
| C30 | 346566-9 | GRIP SPRING 60 | | 1 | | | | |
| C40 | 455189-3 | GRIP BASE 60 | | 1 | | | | |
| C50 | 265785-7 | THUMB SCREW M5X10 | | 1 | | | | |
| C60 | 931202-6 | Hatlapú anya M5 931202-6 | | 1 | | | | |
| A01-1Q | 123257-7 | GRIP ASSEMBLY | | 1 | | | | |
| C10 | 154935-8 | GRIP 36 COMPLETE | | 1 | | | | |
| C20 | 266899-5 | SQUARE BOLT M8X140 | | 1 | | | | |
| C30 | 346566-9 | GRIP SPRING 60 | | 1 | | | | |
| C40 | 455189-3 | GRIP BASE 60 | | 1 | | | | |
| C50 | 265785-7 | THUMB SCREW M5X10 | | 1 | | | | |
| C60 | 931202-6 | Hatlapú anya M5 931202-6 | | 1 | | | | |
| A02 | 251314-2 | Csavar M4x12 LS0810/2012 | | 2 | | | | |
| A03 | 346317-0 | Horog BDF456/BHP456 | | 1 | | | | |
| A04 | 452947-8 | Bittartó akkus géphez | | 1 | | | | |
| A05 | 784637-8 | Bit (+-) szerszám Nr. 2, 45 mm, 1/ 2 | | 1 | | | | |
| A06 | 122576-8 | Mélységbeállító vezetősín 6843 | | 1 | | | | |
| A07G | ***DC18RC | DC18RC FAST CHARGER | | 1 | | | | |
| A07I | ***DC18RC | DC18RC FAST CHARGER | | 1 | | | | |
| A07J | 821550-0 | T2 Koffer 396x296x157 | | 1 | | | | |
| C10 | 453974-8 | LATCH | | 4 | | | | |
| A07K | ***DC18RC | DC18RC FAST CHARGER | | 1 | | | | |
| A07L | ***DC18RC | DC18RC FAST CHARGER | | 1 | | | | |

Kérem az alkatrészt cikkszámmal rendelje meg.

Dátum nyomtatása 2015/

Modellszám DHP458 CORDLESS HAMMER DRIVER/DRILL

| Tétel | Cikkszár | Megnevezés | Átal | Menn | N/C | Opc 1 | Opc 2 | Megjegyzés |
|--------|-----------|--|------|------|-----|-------|-------|------------|
| A07M | ***DC18RC | DC18RC FAST CHARGER | | 1 | | | | |
| A07N | ***DC18RC | DC18RC FAST CHARGER | | 1 | | | | |
| A07O | ***DC18RC | DC18RC FAST CHARGER | | 1 | | | | |
| A07P | ***DC18RC | DC18RC FAST CHARGER | | 1 | | | | |
| A07Q | ***DC18RC | DC18RC FAST CHARGER | | 1 | | | | |
| A08G | 194204-5 | Akku BL1830 18V 3,0Ah Li-ion akkumulátor | | | | | | |
| A08I | 194204-5 | Akku BL1830 18V 3,0Ah Li-ion akkumulátor | | | | | | |
| A08J | 837679-2 | INNER TRAY | | 1 | * | | | |
| A08K | 196399-0 | BATTERY BL1840 SET | | 2 | * | | | |
| A08L | 196399-0 | BATTERY BL1840 SET | | 2 | * | | | |
| A08M | 194204-5 | Akku BL1830 18V 3,0Ah Li-ion akkumulátor | | | | | | |
| A08N | 194204-5 | Akku BL1830 18V 3,0Ah Li-ion akkumulátor | | | | | | |
| A08O | 194204-5 | Akku BL1830 18V 3,0Ah Li-ion akkumulátor | | | | | | |
| A08P | 196399-0 | BATTERY BL1840 SET | | 2 | * | | | |
| A08Q | 196399-0 | BATTERY BL1840 SET | | 2 | * | | | |
| A08-1G | 194204-5 | Akku BL1830 18V 3,0Ah Li-ion akkumulátor | | | | | | |
| A08-1I | 194204-5 | Akku BL1830 18V 3,0Ah Li-ion akkumulátor | | | | | | |
| A08-1J | 837916-4 | INNER TRAY | < | 1 | | | | |
| A08-1K | 196399-0 | BATTERY BL1840 SET | O | 2 | * | | | |
| A08-1L | 196399-0 | BATTERY BL1840 SET | O | 2 | * | | | |
| A08-1M | 194204-5 | Akku BL1830 18V 3,0Ah Li-ion akkumulátor | | | | | | |
| A08-1N | 194204-5 | Akku BL1830 18V 3,0Ah Li-ion akkumulátor | | | | | | |
| A08-1O | 194204-5 | Akku BL1830 18V 3,0Ah Li-ion akkumulátor | | | | | | |
| A08-1P | 196399-0 | BATTERY BL1840 SET | O | 2 | * | | | |
| A08-1Q | 196399-0 | BATTERY BL1840 SET | O | 2 | * | | | |
| A08-2K | 197265-4 | BATTERY BL1840B SET | < | 2 | | | | |
| A08-2L | 197265-4 | BATTERY BL1840B SET | < | 2 | | | | |
| A08-2P | 197265-4 | BATTERY BL1840B SET | < | 2 | | | | |
| A08-2Q | 197265-4 | BATTERY BL1840B SET | < | 2 | | | | |
| A09G | 450128-8 | BATTERY COVER | | 1 | | | | |
| A09I | 450128-8 | BATTERY COVER | | 1 | | | | |
| A09J | 802J35-5 | DHP458ZJ INDICATION LABEL | | 1 | | | | |
| A09K | 450128-8 | BATTERY COVER | | 1 | | | | |
| A09L | 450128-8 | BATTERY COVER | | 1 | | | | |
| A09M | 450128-8 | BATTERY COVER | | 2 | | | | |
| A09N | 450128-8 | BATTERY COVER | | 2 | | | | |
| A09O | 450128-8 | BATTERY COVER | | 2 | | | | |
| A09P | 450128-8 | BATTERY COVER | | 1 | | | | |
| A09Q | 450128-8 | BATTERY COVER | | 1 | | | | |
| A10G | 821524-1 | PLASTIC CARRYING CASE | | 1 | | | | |
| C10 | 162302-3 | LATCH | | 2 | | | | |
| C20 | 325809-2 | SHAFT | | 1 | | | | |
| C30 | 451749-9 | HANDLE | | 1 | | | | |
| C40 | 453473-0 | PLASTIC CASE LID | | 1 | | | | |
| A10I | 821550-0 | T2 Koffer 396x296x157 | | 1 | | | | |
| C10 | 453974-8 | LATCH | | 4 | | | | |
| A10J | 802J36-3 | DHP458ZJ PLASTIC CASE LABEL | | 2 | | | | |
| A10K | 821524-1 | PLASTIC CARRYING CASE | | 1 | | | | |

Kérem az alkatrészt cikkszámmal rendelje meg.

Dátum nyomtatása 2015/

