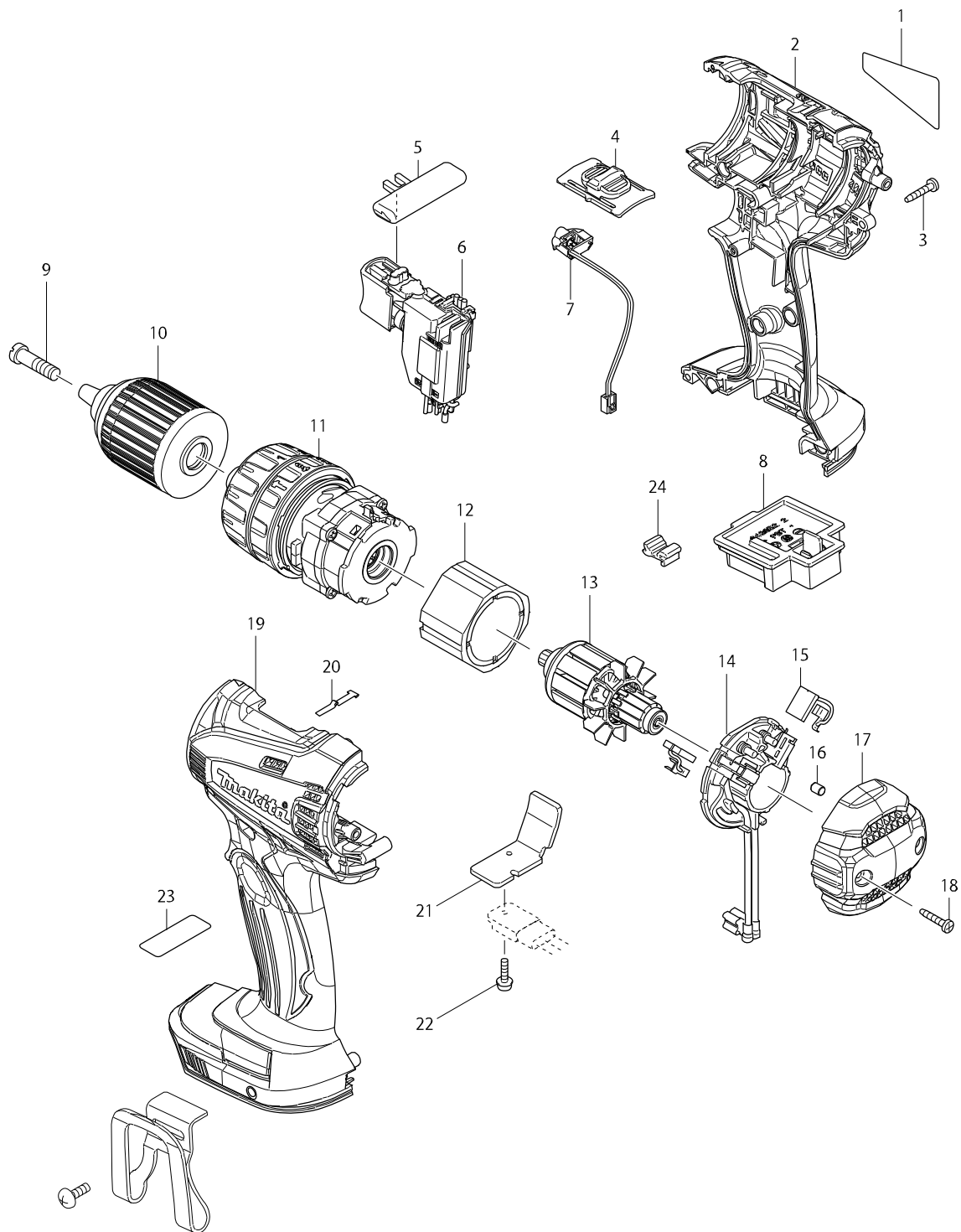


Modellszám DHP456 CORDLESS HAMMER DRIVER DRILL



Modellszám DHP456 CORDLESS HAMMER DRIVER/DRILL

| Tétel | Cikkszár | Megnevezés | Áta | Menn | N/C | Opc 1 | Opc 2 | Megjegyzés |
|-------|----------|------------------------------|-----|------|-----|-------|-------|------------|
| 001 | 815C81-7 | DHP456 NAME PLATE | | 1 | | | | |
| C10 | 263005-3 | Gumi csapszeg 6 263005-3 | | 2 | | | | |
| D10 | | INC. 19 | | | | | | |
| 002A | 188971-2 | Ú Motorház BHP456Z | | 1 | | | | |
| 002B | 188971-2 | Ú Motorház BHP456Z | | 1 | | | | |
| 002C | 188971-2 | Ú Motorház BHP456Z | | 1 | | | | |
| 002D | 188970-4 | Motorház fehér BHP456 | | 1 | | | | |
| 002G | 188971-2 | Ú Motorház BHP456Z | | 1 | | | | |
| 002H | 188971-2 | Ú Motorház BHP456Z | | 1 | | | | |
| 002I | 188971-2 | Ú Motorház BHP456Z | | 1 | | | | |
| 002J | 188971-2 | Ú Motorház BHP456Z | | 1 | | | | |
| 002K | 188971-2 | Ú Motorház BHP456Z | | 1 | | | | |
| 002L | 188971-2 | Ú Motorház BHP456Z | | 1 | | | | |
| 002M | 188971-2 | Ú Motorház BHP456Z | | 1 | | | | |
| 002N | 188971-2 | Ú Motorház BHP456Z | | 1 | | | | |
| 002O | 188970-4 | Motorház fehér BHP456 | | 1 | | | | |
| 003 | 266429-2 | Csavar 3x16 | | 9 | | | | |
| 004 | 126289-3 | Váltógomb BDF456RFE | | 1 | | | | |
| C10 | 233438-6 | COMPRESSION SPRING 4 | | 2 | | | | |
| 005 | 419250-0 | Váltókapcsoló /BDF442 | | 1 | | | | |
| 006 | 650637-9 | Kapcsoló BDF456RFE | | 1 | * | | | |
| 006-1 | 650731-7 | SWITCH C3HZ-1A-TLMS | < | 1 | * | | | |
| 006-2 | 650747-2 | SWITCH C3HA-Z1A-TLMS | < | 1 | | | | |
| 007 | 620012-3 | Led BDF456RFE | | 1 | * | | | |
| 007-1 | 620388-8 | LED CIRCUIT | O | 1 | | | | |
| 008 | 643852-2 | Akkutartó BHP456 | | 1 | | | | |
| 009 | 251468-5 | Csavar M6x22 | | 1 | | | | |
| 010 | 763175-3 | Gyorstokmány | | 1 | | | | |
| 011 | 125848-0 | Hajtómű BHP456 | | 1 | * | | | |
| 011-1 | 126460-9 | GEAR ASSEMBLY | < | 1 | | | | |
| 012 | 638425-4 | Állórészmágnes | | 1 | | | | |
| 013 | 619263-3 | Forgórész BDF456RFE | | 1 | | | | |
| 014 | 638845-2 | Szénkefetartó BDF456RFE | | 1 | | | | |
| 015 | 194427-5 | Szénkefe /BDF452RFE | | 1 | | | | |
| 016 | 263032-0 | Gumistift | | 2 | | | | |
| 017A | 452205-2 | Burkolat hátsó lezáró BDF456 | | 1 | | | | |
| 017B | 452205-2 | Burkolat hátsó lezáró BDF456 | | 1 | | | | |
| 017C | 452205-2 | Burkolat hátsó lezáró BDF456 | | 1 | | | | |
| 017D | 452202-8 | Csapágház fehér BHP456 | | 1 | | | | |
| 017G | 452205-2 | Burkolat hátsó lezáró BDF456 | | 1 | | | | |
| 017H | 452205-2 | Burkolat hátsó lezáró BDF456 | | 1 | | | | |
| 017I | 452205-2 | Burkolat hátsó lezáró BDF456 | | 1 | | | | |
| 017J | 452205-2 | Burkolat hátsó lezáró BDF456 | | 1 | | | | |
| 017K | 452205-2 | Burkolat hátsó lezáró BDF456 | | 1 | | | | |
| 017L | 452205-2 | Burkolat hátsó lezáró BDF456 | | 1 | | | | |
| 017M | 452205-2 | Burkolat hátsó lezáró BDF456 | | 1 | | | | |
| 017N | 452205-2 | Burkolat hátsó lezáró BDF456 | | 1 | | | | |
| 017O | 452202-8 | Csapágház fehér BHP456 | | 1 | | | | |

Kérem az alkatrészt cikkszámmal rendelje meg.

Dátum nyomtatása 2015/

Modellszám DHP456 CORDLESS HAMMER DRIVER DRILL

| Tétel | Cikkszár | Megnevezés | Áta | Menn | N/C | Opc 1 | Opc 2 | Megjegyzés |
|-------|----------|------------------------------------|-----|------|-----|-------|-------|------------|
| 018 | 266429-2 | Csavar 3x16 | | 2 | | | | |
| C10 | 263005-3 | Gumi csapszeg 6 263005-3 | | 2 | | | | |
| D10 | | INC. 2 | | | | | | |
| 019A | 188971-2 | Ú Motorház BHP456Z | | 1 | | | | |
| 019B | 188971-2 | Ú Motorház BHP456Z | | 1 | | | | |
| 019C | 188971-2 | Ú Motorház BHP456Z | | 1 | | | | |
| 019D | 188970-4 | Motorház fehér BHP456 | | 1 | | | | |
| 019G | 188971-2 | Ú Motorház BHP456Z | | 1 | | | | |
| 019H | 188971-2 | Ú Motorház BHP456Z | | 1 | | | | |
| 019I | 188971-2 | Ú Motorház BHP456Z | | 1 | | | | |
| 019J | 188971-2 | Ú Motorház BHP456Z | | 1 | | | | |
| 019K | 188971-2 | Ú Motorház BHP456Z | | 1 | | | | |
| 019L | 188971-2 | Ú Motorház BHP456Z | | 1 | | | | |
| 019M | 188971-2 | Ú Motorház BHP456Z | | 1 | | | | |
| 019N | 188971-2 | Ú Motorház BHP456Z | | 1 | | | | |
| 019O | 188970-4 | Motorház fehér BHP456 | | 1 | | | | |
| 020 | 232182-2 | La rugó 6096DW/6201DW/621 | | 1 | | | | |
| 021 | 689170-4 | HEAT SINK | | 1 | | | | |
| 022 | 911013-5 | Trapézfejű csavar M3x10 911013 | | 1 | | | | |
| 024 | 424476-1 | CUSHION | | 1 | | | | |
| A01 | 251314-2 | Csavar M4x12 LS0810/2012 | | 1 | | | | |
| A02A | 346317-0 | Horog BDF456/BHP456 | | 1 | | | | |
| A02B | 346449-3 | HOOK | | 1 | | | | |
| A02C | 346449-3 | HOOK | | 1 | | | | |
| A02D | 346317-0 | Horog BDF456/BHP456 | | 1 | | | | |
| A02G | 346317-0 | Horog BDF456/BHP456 | | 1 | | | | |
| A02H | 346449-3 | HOOK | | 1 | | | | |
| A02I | 346317-0 | Horog BDF456/BHP456 | | 1 | | | | |
| A02J | 346449-3 | HOOK | | 1 | | | | |
| A02K | 346317-0 | Horog BDF456/BHP456 | | 1 | | | | |
| A02L | 346317-0 | Horog BDF456/BHP456 | | 1 | | | | |
| A02M | 346449-3 | HOOK | | 1 | | | | |
| A02N | 346317-0 | Horog BDF456/BHP456 | | 1 | | | | |
| A02O | 346317-0 | Horog BDF456/BHP456 | | 1 | | | | |
| A03 | 784637-8 | Bit (+-) szerszám Nr. 2, 45 mm, 1/ | | 1 | | | | |
| A04A | 141856-3 | Koffer | | 1 | | | | |
| C10 | 162302-3 | LATCH | | 2 | | | | |
| C20 | 324207-7 | SHAFT | | 1 | | | | |
| C30 | 451749-9 | HANDLE | | 1 | | | | |
| A04C | 141856-3 | Koffer | | 1 | | | | |
| C10 | 162302-3 | LATCH | | 2 | | | | |
| C20 | 324207-7 | SHAFT | | 1 | | | | |
| C30 | 451749-9 | HANDLE | | 1 | | | | |
| A04D | 823300-9 | ALUMINUM CASE | | 1 | | | | |
| A04G | 821550-0 | T2 Koffer 396x296x157 | | 1 | | | | |
| C10 | 453974-8 | LATCH | | 4 | | | | |
| A04H | 821550-0 | T2 Koffer 396x296x157 | | 1 | | | | |
| C10 | 453974-8 | LATCH | | 4 | | | | |

Kérem az alkatrészt cikkszámmal rendelje meg.

Dátum nyomtatása 2015/

Modellszám DHP456 CORDLESS HAMMER DRIVER DRILL

| Tétel | Cikkszár | Megnevezés | Áta | Menn | N/C | Opc 1 | Opc 2 | Megjegyzés |
|-------|-----------|--|-----|------|-----|-------|-------|------------|
| A04I | 141856-3 | Koffer | | 1 | | | | |
| C10 | 162302-3 | LATCH | | 2 | | | | |
| C20 | 324207-7 | SHAFT | | 1 | | | | |
| C30 | 451749-9 | HANDLE | | 1 | | | | |
| A04J | 141856-3 | Koffer | | 1 | | | | |
| C10 | 162302-3 | LATCH | | 2 | | | | |
| C20 | 324207-7 | SHAFT | | 1 | | | | |
| C30 | 451749-9 | HANDLE | | 1 | | | | |
| A04K | 821550-0 | T2 Koffer 396x296x157 | | 1 | | | | |
| C10 | 453974-8 | LATCH | | 4 | | | | |
| A04L | 821550-0 | T2 Koffer 396x296x157 | | 1 | | | | |
| C10 | 453974-8 | LATCH | | 4 | | | | |
| A04M | 141856-3 | Koffer | | 1 | | | | |
| C10 | 162302-3 | LATCH | | 2 | | | | |
| C20 | 324207-7 | SHAFT | | 1 | | | | |
| C30 | 451749-9 | HANDLE | | 1 | | | | |
| A04N | 141856-3 | Koffer | | 1 | | | | |
| C10 | 162302-3 | LATCH | | 2 | | | | |
| C20 | 324207-7 | SHAFT | | 1 | | | | |
| C30 | 451749-9 | HANDLE | | 1 | | | | |
| A04O | 821550-0 | T2 Koffer 396x296x157 | | 1 | | | | |
| C10 | 453974-8 | LATCH | | 4 | | | | |
| A05A | 450128-8 | BATTERY COVER | | 1 | | | | |
| A05C | 450128-8 | BATTERY COVER | | 1 | | | | |
| A05D | 450128-8 | BATTERY COVER | | 1 | | | | |
| A05G | 450128-8 | BATTERY COVER | | 1 | | | | |
| A05H | 837916-4 | INNER TRAY | | 1 | | | | |
| A05I | 450128-8 | BATTERY COVER | | 1 | | | | |
| A05J | 450128-8 | BATTERY COVER | | 1 | | | | |
| A05K | 450128-8 | BATTERY COVER | | 1 | | | | |
| A05L | 450128-8 | BATTERY COVER | | 2 | | | | |
| A05M | 450128-8 | BATTERY COVER | | 1 | | | | |
| A05N | 450128-8 | BATTERY COVER | | 2 | | | | |
| A05O | 450128-8 | BATTERY COVER | | 2 | | | | |
| A06A | ***DC18RC | DC18RC FAST CHARGER | | 1 | | | | |
| A06C | ***DC18RC | DC18RC FAST CHARGER | | 1 | | | | |
| A06D | ***DC18RC | DC18RC FAST CHARGER | | 1 | | | | |
| A06G | ***DC18RC | DC18RC FAST CHARGER | | 1 | | | | |
| A06H | 802R19-1 | DHP456ZJ INDICATION LABEL | | 1 | | | | |
| A06I | ***DC18RC | DC18RC FAST CHARGER | | 1 | | | | |
| A06J | ***DC18RC | DC18RC FAST CHARGER | | 1 | | | | |
| A06K | ***DC18RC | DC18RC FAST CHARGER | | 1 | | | | |
| A06L | ***DC18RC | DC18RC FAST CHARGER | | 1 | | | | |
| A06M | ***DC18RC | DC18RC FAST CHARGER | | 1 | | | | |
| A06N | ***DC18RC | DC18RC FAST CHARGER | | 1 | | | | |
| A06O | ***DC18RC | DC18RC FAST CHARGER | | 1 | | | | |
| A07A | 194204-5 | Akku BL1830 18V 3,0Ah Li-ion akkumulátor | | 2 | | | | |
| A07C | 194513-2 | Akku BL1815 | | 2 | | | | |

Kérem az alkatrészt cikkszámmal rendelje meg.

Dátum nyomtatása 2015/

