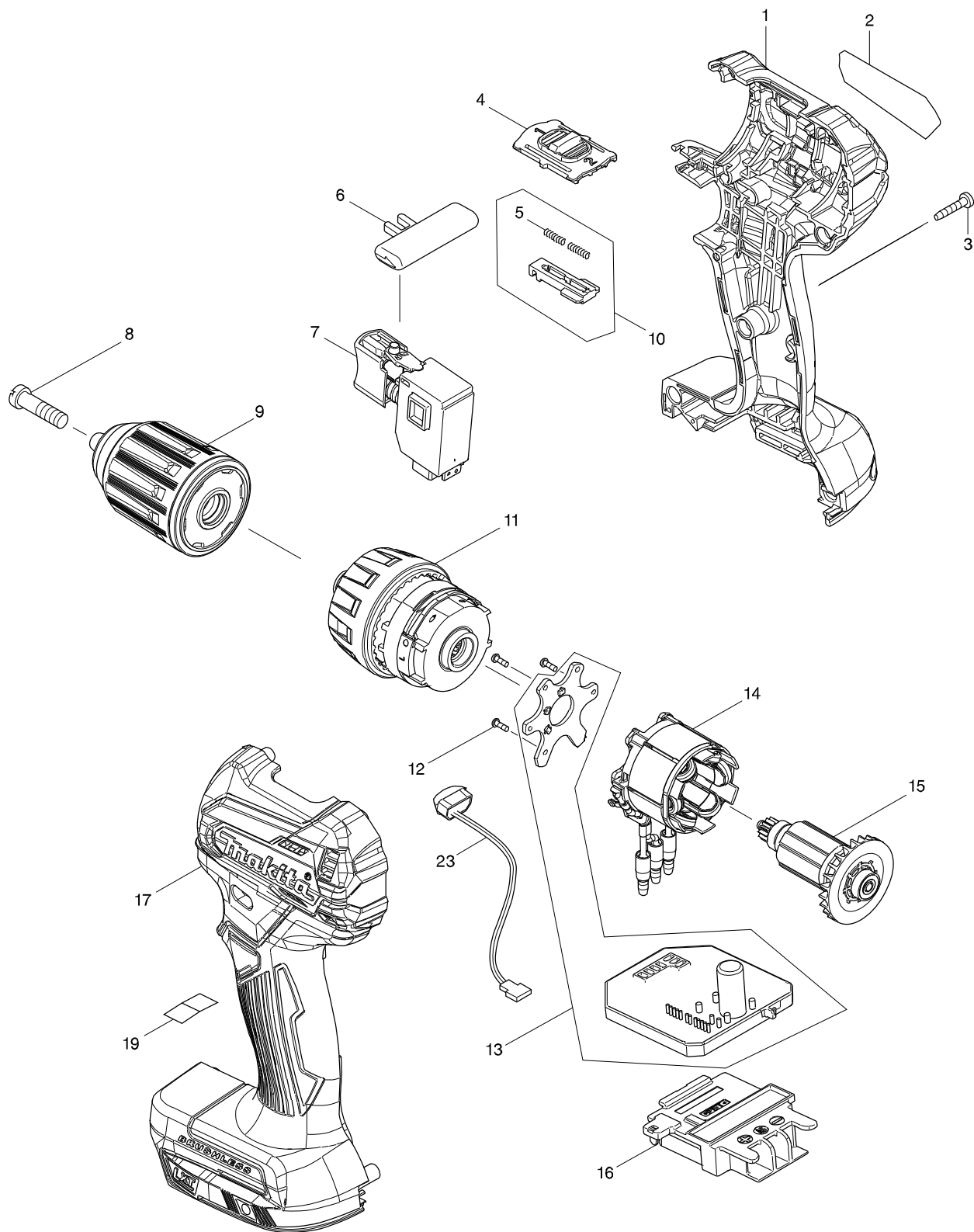


# Modellszám DDF483 CORDLESS DRIVER DRILL



| Tétel | Cikkszám  | Megnevezés                     | Átalai | Menny. | N/O | Opc 1 | Opc 2 | Megjegyzés |
|-------|-----------|--------------------------------|--------|--------|-----|-------|-------|------------|
| 001   | 183E19-5  | HOUSING SET                    |        | 1      |     |       |       |            |
| C10   | 263005-3  | RUBBER PIN 6                   |        | 2      |     |       |       |            |
| C20   | 252126-6  | HEX. LOCKING NUT M4-7          |        | 2      |     |       |       |            |
| D10   |           | INC. 17                        |        |        |     |       |       |            |
| 002   | 852L71-3  | DDF483 NAME PLATE              |        | 1      |     |       |       |            |
| 003   | 266429-2  | TAPPING SCREW 3X16             |        | 8      |     |       |       |            |
| 004   | 457020-9  | SPEED CHANGE LEVER             |        | 1      |     |       |       |            |
| 005   | 233025-1  | COMPRESSION SPRING 2           |        | 2      |     |       |       |            |
| 006   | 419041-9  | F/R CHANGE LEVER               |        | 1      |     |       |       |            |
| 007   | 650689-0  | SWITCH C3JW-2B                 |        | 1      |     |       |       |            |
| 008   | 251468-5  | - FLAT HEAD SCREW M6X22        |        | 1      |     |       |       |            |
| 009   | 763241-6  | KEYLESS DRILL CHUCK 13         |        | 1      |     |       |       |            |
| 010   | 123587-6  | CHANGE LEVER ASS'Y             |        | 1      |     |       |       |            |
| D10   |           | INC. 5                         |        |        |     |       |       |            |
| 011   | 123868-8  | GEAR ASSEMBLY                  |        | 1      |     |       |       |            |
| 012   | 266490-9  | TAPPING SCREW PT 2X6           |        | 3      |     |       |       |            |
| 013   | 620555-5  | CONTROLLER                     |        | 1      |     |       |       |            |
| 014   | 629228-7  | STATOR                         |        | 1      |     |       |       |            |
| 015   | 619410-6  | ROTOR                          |        | 1      |     |       |       |            |
| 016   | 643874-2  | TERMINAL                       |        | 1      |     |       |       |            |
| 017   | 183E19-5  | HOUSING SET                    |        | 1      |     |       |       |            |
| C10   | 263005-3  | RUBBER PIN 6                   |        | 2      |     |       |       |            |
| C20   | 252126-6  | HEX. LOCKING NUT M4-7          |        | 2      |     |       |       |            |
| D10   |           | INC. 1                         |        |        |     |       |       |            |
| 023   | 620549-0  | LED CIRCUIT                    |        | 1      |     |       |       |            |
| A01   | 251314-2  | + SCREW M4X12                  |        | 1      |     |       |       |            |
| A02   | 346317-0  | HOOK                           |        | 1      |     |       |       |            |
| A03   | 784637-8  | +/- BIT 2-45                   |        | 1      |     |       |       |            |
| A04B  | 821550-0  | CONNECTOR PLASTIC CASE (TYPE2) |        | 1      |     |       |       |            |
| C10   | 453974-8  | LATCH                          |        | 4      |     |       |       |            |
| A04C  | 821550-0  | CONNECTOR PLASTIC CASE (TYPE2) |        | 1      |     |       |       |            |
| C10   | 453974-8  | LATCH                          |        | 4      |     |       |       |            |
| A05B  | 450128-8  | BATTERY COVER                  |        | 1      |     |       |       |            |
| A05C  | 450128-8  | BATTERY COVER                  |        | 1      |     |       |       |            |
| A06B  | ***DC18RC | DC18RC FAST CHARGER            |        | 1      |     |       |       |            |
| D10   |           | COMPO-PARTS                    |        |        |     |       |       |            |
| A06C  | ***DC18RC | DC18RC FAST CHARGER            |        | 1      |     |       |       |            |
| D10   |           | COMPO-PARTS                    |        |        |     |       |       |            |
| A07B  | 197600-6  | BATTERY BL1830B SET            |        | 2      |     |       |       |            |
| A07C  | 197280-8  | BATTERY BL1850B SET            |        | 2      |     |       |       |            |
| A08B  | 837670-0  | INNER TRAY                     |        | 1      |     |       |       |            |
| A08C  | 837670-0  | INNER TRAY                     |        | 1      |     |       |       |            |
| A09B  | 809Y85-1  | DDF483RFJ INDICATION LABEL     |        | 1      |     |       |       |            |
| A09C  | 809Y89-3  | DDF483RTJ INDICATION LABEL     |        | 1      |     |       |       |            |
| A10B  | 809Y86-9  | DDF483RFJ PLASTIC CASE LABEL   |        | 2      |     |       |       |            |
| A10C  | 809Y90-8  | DDF483RTJ PLASTIC CASE LABEL   |        | 2      |     |       |       |            |
|       |           |                                |        |        |     |       |       |            |
|       |           |                                |        |        |     |       |       |            |