

SPARE PARTS LIST

PAGE 1

MODEL NO. DBC260U

ITEM	PART NO.	DESCRIPTION	QTY	NOTE
001	6274501000	Grip	1	
002	6274500901	Handle	1	
003	6254031001	Handle Holder Ass'y INC. 4, 5	1	
004	0119059890	Imbuszcsavar M5x25 RBC250/22	4	
005	0119059940	Hex. Socket Head Bolt M5x25	2	
006	6197005001	Hanger Ass'y INC. 7	1	
007	0140059360	SCREW & WASHER ASS'Y	1	
008	6259514700	CAUTION LABEL	1	
009	6251056000	Csoszár DBC260U	1	
010	6259549500	CAUTION LABEL	1	
011	6274501200	Handle	1	
012	6255069001	CONTROL LEVER ASS'Y MS26U	1	
013	6258064000	Protector Ass'y INC. 14, 17-19	1	
014	6258065000	Protector Ass'y INC. 15, 16	1	
015	0100069790	Bolt M6x30	2	
016	6258509400	PROTECTOR CLAMP	1	
017	0140059380	Screw Assembly	2	
018	6258053001	Védoburkolat EM4250	1	
019	0021805000	NUT	2	
020	0119059490	SOCKET HEAD BOLT M5x14 new	1	
021	6243006002	Szöghajtás DBC260 INC. 22-35	1	
022	6253011012	Csavar RBC250	1	
023	6218500200	Támasztó alátét RBC	1	
024	0140059390	Screw Assembly	2	
025	0600069990	Golyóscsapágy a hajtásnál, új	1	
026	0600109910	Golyóscsapágy 6000DDU RBC225/2	1	
027	0031426000	Biztosítógyuru, belso RBC225	1	
028	6218501601	Felfogóalátét RBC225/255	1	
029	6218003001	Felfogóalátét, komplett RBC	1	
030	6258505001	Balmenetes kést felfogató anya	1	
031	6243008002	Kúpkerékpár DBC260U	1	
032	0119059890	Imbuszcsavar M5x25 RBC250/22	1	
033	6212500300	Golyóscsapágy 609ZZ RBC225/255	1	
034	6193006120	Outer Snap Ring	1	
035	0031424000	#Biztosítógyuru, belso RBC225	1	
036	6191500401	Meghajtótengely RBC/EM	1	
037	6255069001	CONTROL LEVER ASS'Y MS26U INC. 38-40, 42-46	1	
038	0119059980	SOCKET HEAD BOLT M5x30	1	
039	6195006060	TAPPING SCREW M4x20	2	
040	6255069011	Wire Ass'y MS26U INC. 41	1	
041	6255069021	Wire Complete MS26U	1	
042	6215022030	Lever	1	
043	6195013010	Lever	1	
044	6195006150	Top	1	
045	6195006050	SPRING	1	
046	6215022040	NUT M5	1	
047	S135994451	Karburátor tömítés DBC260	1	
048	S135173092	Tömítés DBC260U	1	
049	S135993842	Tömítés DBC260	1	
050	0119059640	HEX.SOCKET HEAD BOLT M5X25	2	
051	5267007000	Wire Complete	1	

SPARE PARTS LIST

PAGE 2

MODEL NO. DBC260U

ITEM	PART NO.	DESCRIPTION	QTY	NOTE
052	S199513670	Insulator	1	
053	S135994490	Tömítés DBC260	1	
054	0119059730	Imbuszcsavar M5x20 RST/RBC/RBL	2	
055	S198113530	Rubber	1	
056	0650149661	Gyújtógyertya DBC260	1	
057	S110213770	Henger DBC260U	1	
058	5263501200	Muffler Gasket	1	
059	S135043271	Exhaust Muffler	1	
060	0119059550	Socket Head Bolt	2	
061	S199513451	Távtartó DBC260	1	
062	450399-7	Védoburkolat DBC260	1	
063	450397-1	Cylinder Deckel	1	
064	0140059360	SCREW & WASHER ASS'Y	2	
065	0736309870	LABEL	1	
066	424079-1	Plug Cap	1	
067	0654009931	Rugó a gyertyacsatlakozó sapká	1	
068	0119049970	SOCKET HEAD BOLT	2	
069	S150053510	Tirisztor DBC260U INC. 70	1	
070	S185603500	Wire Complete	1	
071	5265009000	Rewind Starter Ass'y INC. 72-80	1	
072	5315001030	STOPPER	1	
073	5215002110	Indítógomb RBC225/255	1	
074	5215002030	Spirál rugó EM4250	1	
075	5265007030	Reel	1	
076	5265007050	Damper Spring	1	
077	5265007040	Cam Plate	1	
078	5195002060	SET SCREW	1	
079	5195018000	Pulley	1	
080	5265007110	Starter Rope	1	
081	5269500500	Model Label	1	
082	0140059330	Screw M5x20(W,SW)	4	
083	S110993460	Talptömítés DBC260	1	
084	S115113650	Dugattyú gyuru DBC260U	2	
085	S115313750	Dugattyú DBC260U	1	
086	S115323041	Csapszeg DBC260U	1	
087	S198343210	Clip	2	
088	S042709008	Needle Roller Bearing	1	
089	5262004000	Crankshaft Complete	1	
090	S150103600	Flywheel cpl.	1	
091	S020109107	Nut	1	
092	5928500300	WASHER	2	
093	5928500000	Röpsúly EM4250	2	
094	5928500600	Spring	1	
095	0200089911	Alátétgyuru M8 RBC225/255	2	
096	5928500400	Clutch Bolt	2	
097	6252022000	Clutch Drum Complete	1	
098	450395-5	Clutch Case	1	
099	0119059730	Imbuszcsavar M5x20 RST/RBC/RBL	3	
100	0031512000	Biztosítógyuru, külso RBC250/2	1	
101	424123-4	Buffer Rubber	1	
102	318249-1	Pipe Holder	1	
103	424082-2	Buffer Rubber	1	
104	0119059900	Imbuszcsavar M5x12 RBC250/22	1	
105	0119059730	Imbuszcsavar M5x20 RST/RBC/RBL	2	
106	318250-6	Pipe Holder	1	
107	424083-0	Buffer Rubber	1	

SPARE PARTS LIST

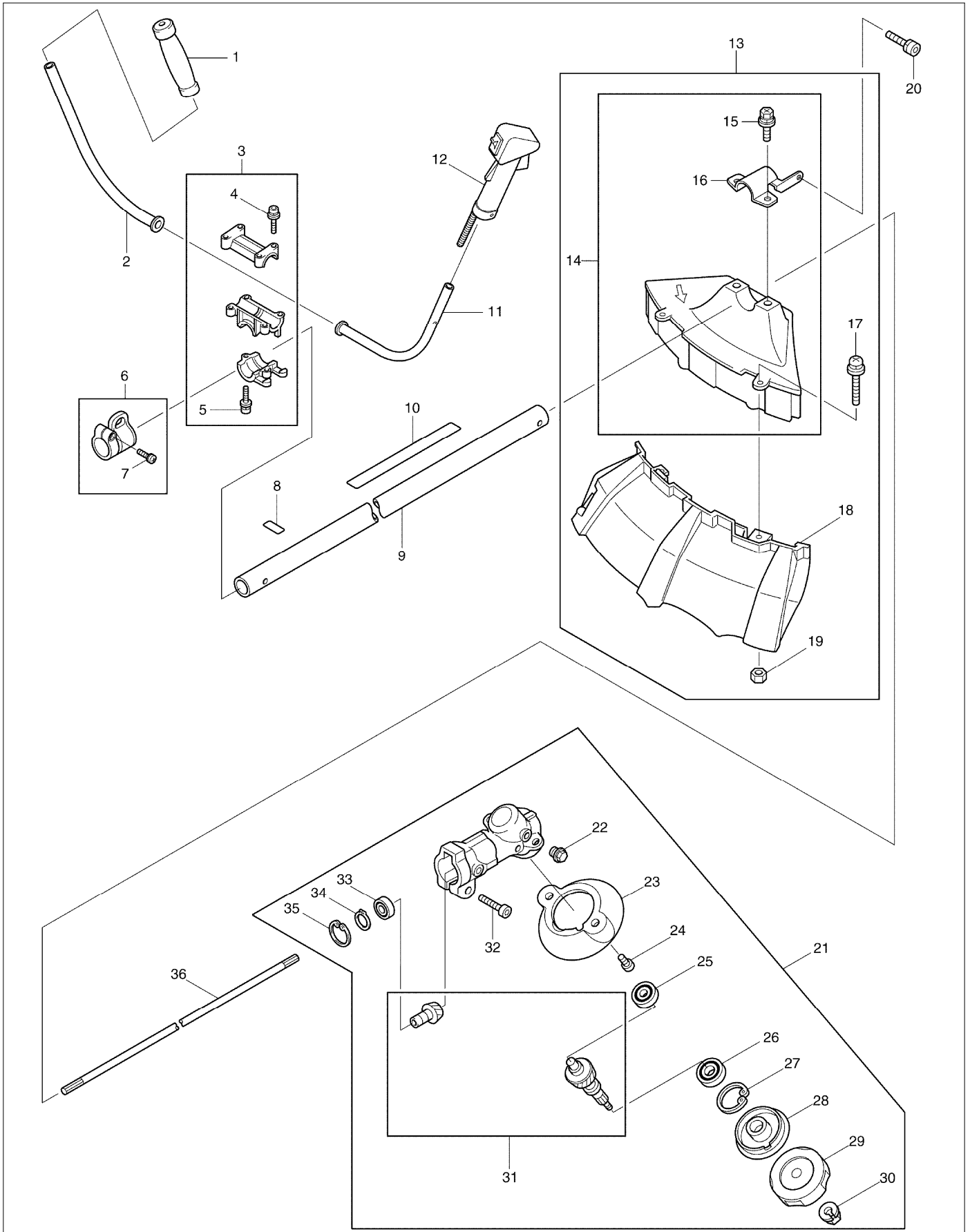
PAGE 3

MODEL NO. DBC260U

ITEM	PART NO.	DESCRIPTION	QTY	NOTE
108	345882-6	Stand	1	
109	266020-6	Önmetszo csavar M4x12	4	
110	0851209881	Tube complete	1	
111	0561059990	Tömloszorító bilincs RBC220/22	1	
112	5236503900	Szuro RST250/RBC250/220/RBL	1	
113	424080-6	Buffer Rubber	2	
114	450400-8	Fuel Tank	1	
115	424081-4	Buffer Rubber	1	
116	5266008001	CAP FUEL TANK ASSY INC. 117, 118	1	
117	5266010001	CAP FUEL TANK ASSY	1	
118	5256067000	Heveder RBC/RBL/RBK/RST, új	1	
119	5261003000	Ház DBC260U INC. 120-124	1	
120	0119059570	SOCKET HEAD BOLT M5x30	3	
121	S050209070	Szimering DBC260	1	
122	0600129790	Ball Bearing	2	
123	S110993450	Tömítés DBC260	1	
124	0440129940	Szimering DBC260	1	
125	5266009000	Porlasztó DBC260 INC. 126-133, 135-140	1	
126	5246001210	Swifel	1	
127	5426005030	WASHER	1	
128	5266009020	Screw	2	
129	5316005120	Gyuru RBL250/RBC225/255	1	
130	5266009030	Cable Bracket	1	
131	5926002040	PUMP GASKET	1	
132	5246001040	Szivattyúmembrán RBL250/RBC22	1	
133	5266002010	Pump Body Assembly INC. 134	1	
134	5016004010	Szuroszita RBL250/RBC225/255	1	
135	5236046040	Membrán	1	
136	5266009010	Metering Diaphragm Ass'y	1	
137	5236046060	Air Purge Body Ass'y	1	
138	5246001150	PRIMER PUMP	1	
139	5236046050	PRIMER PUMP COVER	1	
140	5236046010	Pump Cover Screw	4	
141	5263005000	Légszuro ház DBC260	1	
142	5253503900	Tömítés DBC260	1	
143	5013502400	Air Cleaner Plate Ass'y	1	
144	5263501300	Légszuro DBC260	1	
145	0043105603	Csavar DBC260	2	
146	450403-2	Air Cleaner Cover	1	
147	0140059360	SCREW & WASHER ASS'Y	1	
A01	6258507600	Cutter	1	
A02	6247001001	BAND ASS'Y INC. 150	1	
A03	6347004000	Hook	1	
A04	6418027000	CUTTER COVER EM4250/EBH341 new	1	
A05	6119019001	TOOL KIT INC. 153	1	
A06	0717049990	HEX. WRENCH	1	
A07	6111502700	Wire Clamp	2	

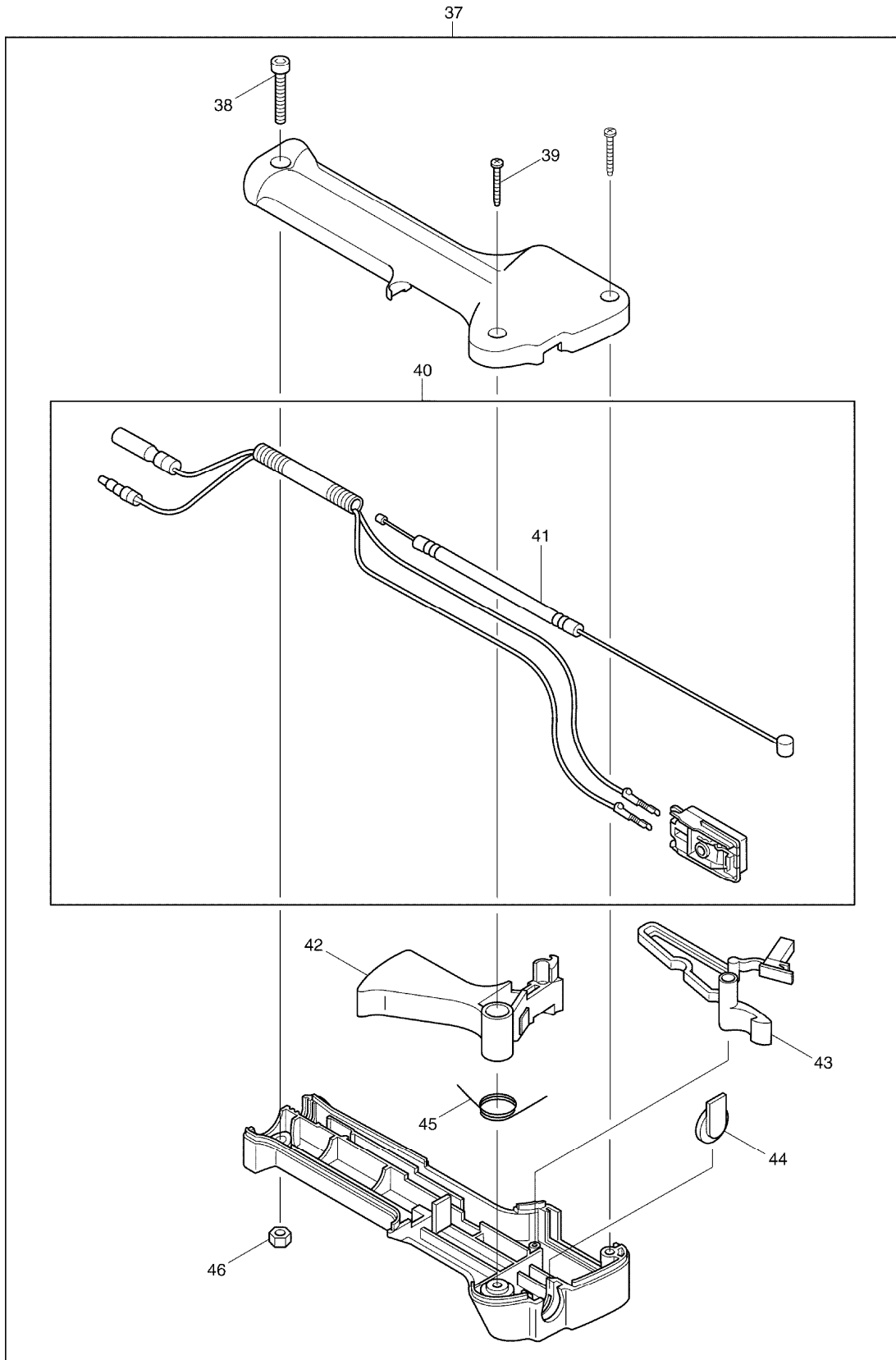
SERVICE DRAWING

MODEL NO. DBC260U



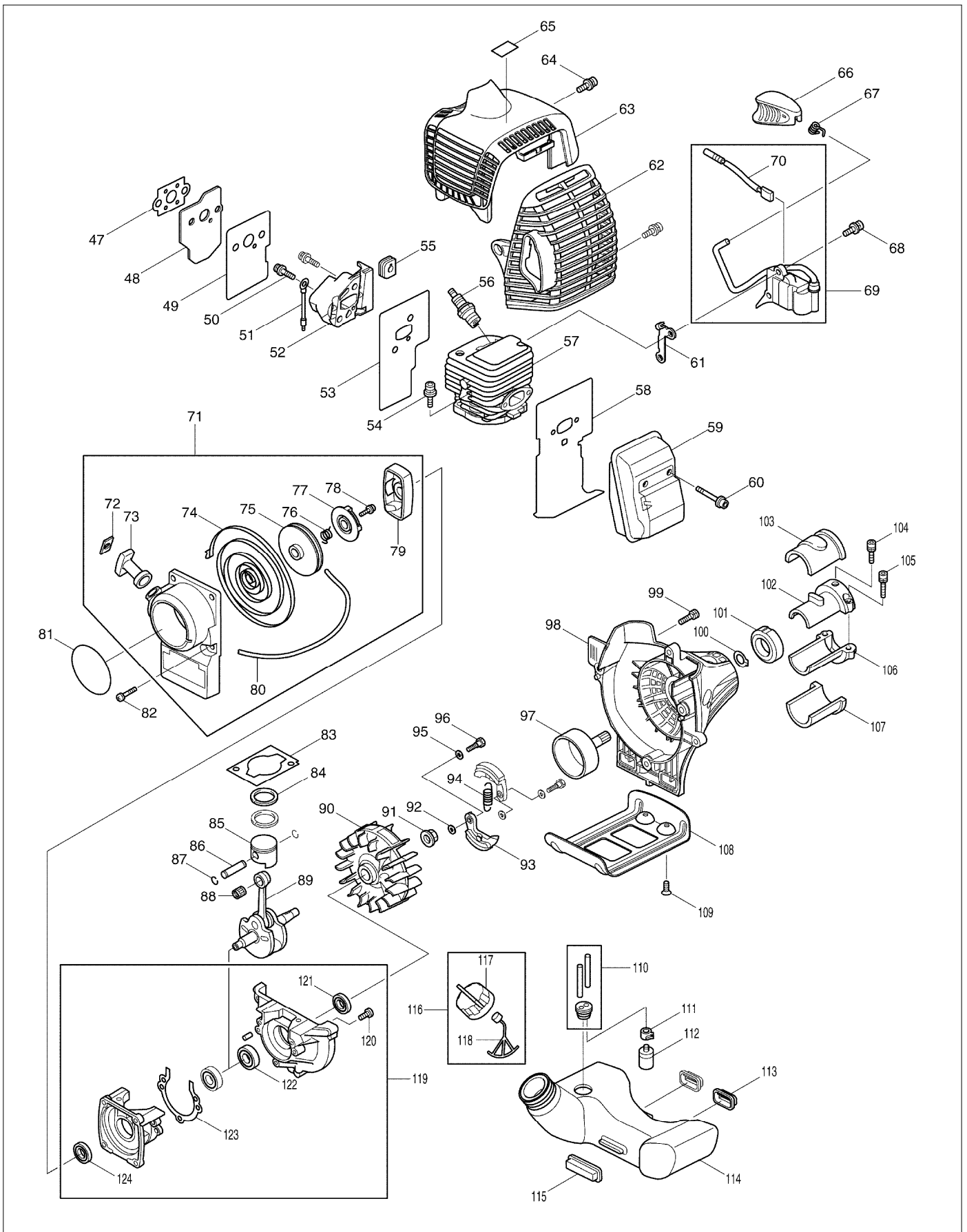
SERVICE DRAWING

MODEL NO. DBC260U



SERVICE DRAWING

MODEL NO. DBC260U



SERVICE DRAWING

MODEL NO. DBC260U

