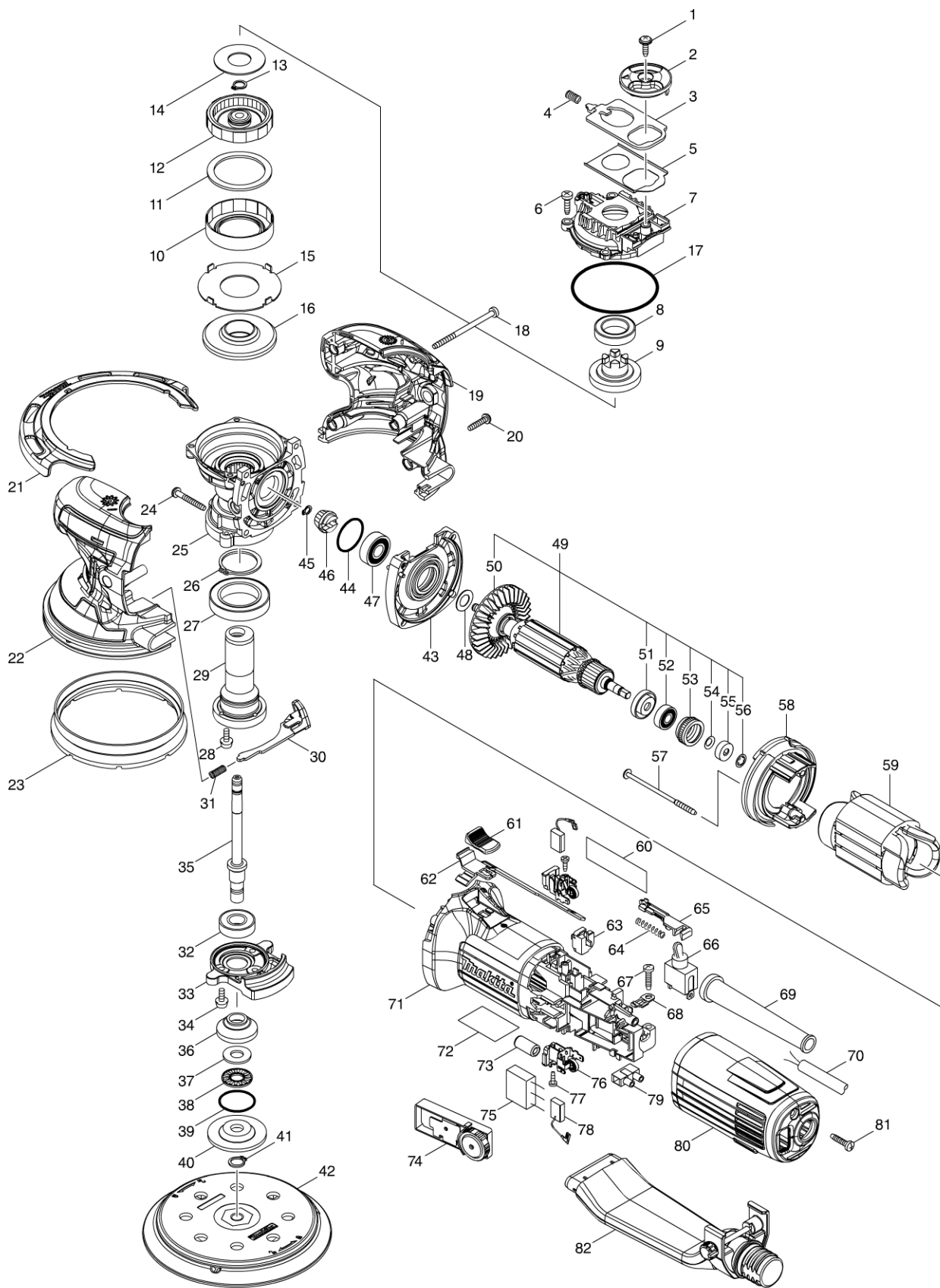


Modellszám BO6050 150MM RANDOM ORBIT SANDER



Modellszám BO6050 150MM RANDOM ORBIT SANDER

Oldal 1 / 2

| Tétel | Cikkszám | Megnevezés | Átala | Menny. | N/O | Opc 1 | Opc 2 | Megjegyzés |
|-------|----------|-----------------------------|-------|--------|-----|-------|-------|------------|
| 001 | 266901-4 | TAPPING SCREW 4X14 | | 1 | | | | |
| 002 | 456126-0 | CHANGE KNOB | | 1 | | | | |
| 003 | 346914-2 | CHANGE PLATE | | 1 | | | | |
| 004 | 231490-8 | COMPRESSION SPRING 5 | | 1 | | | | |
| 005 | 346913-4 | GUIDE PLATE | | 1 | | | | |
| 006 | 266034-5 | TAPPING SCREW CT 4X16 | | 4 | | | | |
| 007 | 456117-1 | TOP COVER | | 1 | | | | |
| 008 | 211333-0 | BALL BEARING 6804LLU | | 1 | | | | |
| 009 | 227386-9 | SPUR GEAR 31 | | 1 | | | | |
| 010 | 424748-4 | BRAKE RING | | 1 | | | | |
| 011 | 261157-4 | SPONGE WASHER 40 | | 1 | | | | |
| 012 | 227387-7 | INTERNAL GEAR 34 | | 1 | | | | |
| 013 | 961004-6 | RETAINING RING S-8 | | 1 | | | | |
| 014 | 267290-0 | FLAT WASHER 18 | | 1 | | | | |
| 015 | 346912-6 | PLATE | | 1 | | | | |
| 016 | 227648-5 | SPIRAL BEVEL GEAR 43 | | 1 | | | | |
| 017 | 213707-1 | O RING 65 | | 1 | | | | |
| 018 | 266060-4 | TAPPING SCREW 4X65 | | 1 | | | | |
| 019 | 183B68-4 | HEAD COVER SET | | 1 | | | | |
| D10 | | INC. 22 | | | | | | |
| 020 | 265995-6 | TAPPING SCREW 4X18 | | 4 | | | | |
| 021 | 456127-8 | PAD PROTECTOR | | 1 | | | | |
| 022 | 183B68-4 | HEAD COVER SET | | 1 | | | | |
| D10 | | INC. 19 | | | | | | |
| 023 | 424747-6 | RUBBER GUARD | | 1 | | | | |
| 024 | 266050-7 | TAPPING SCREW 4X30 | | 4 | | | | |
| 025 | 143324-2 | GEAR HOUSING COMPLETE | | 1 | | | | |
| 026 | 961110-7 | RETAINING RING S-30 | | 1 | | | | |
| 027 | 211445-9 | BALL BEARING 6906DDW | | 1 | | | | |
| 028 | 911119-9 | PAN HEAD SCREW M4X12 | | 3 | | | | |
| 029 | 143325-0 | OUTER SPINDLE COMPLETE | | 1 | | | | |
| 030 | 143376-3 | SHAFT LOCK COMPLETE | | 1 | | | | |
| 031 | 233285-5 | COMPRESSION SPRING 4 | | 1 | | | | |
| 032 | 211131-2 | BALL BEARING 6001DDW | | 1 | | | | |
| 033 | 319330-1 | BALANCER | | 1 | | | | |
| 034 | 911119-9 | PAN HEAD SCREW M4X12 | | 3 | | | | |
| 035 | 143375-5 | INNER SPINDLE COMPLETE | | 1 | | | | |
| 036 | 326582-7 | COVER | | 1 | | | | |
| 037 | 253024-7 | FLAT WASHER 10 | | 1 | | | | |
| 038 | 216413-7 | THRUST NEEDLE CAGE 1024 | | 1 | | | | |
| 039 | 213445-5 | O-RING 26 | | 1 | | | | |
| 040 | 326581-9 | FLANGE | | 1 | | | | |
| 041 | 961006-2 | RETAINING RING S-10 | | 1 | | | | |
| 042 | 197314-7 | PAD 150 SET | | 1 | | | | |
| 043 | 143327-6 | GEAR HOUSING COVER COMPLETE | | 1 | | | | |
| 044 | 213445-5 | O-RING 26 | | 1 | | | | |
| 045 | 961002-0 | RETAINING RING S-6 | | 1 | | | | |
| 046 | 227647-7 | SPIRAL BEVEL GEAR 11 | | 1 | | | | |

Kérem az alkatrészt cikkszámmal rendelje meg.

Dátum nyomtatása 2015/11/26

Modellszám BO6050 150MM RANDOM ORBIT SANDER

Oldal 2 / 2

| Tétel | Cikkszám | Megnevezés | Átala | Menny. | N/O | Opc 1 | Opc 2 | Megjegyzés |
|-------|----------|-------------------------------|-------|--------|-----|-------|-------|------------|
| 047 | 210059-1 | BALL BEARING 6000DDW | | 1 | | | | |
| 048 | 253758-2 | FLAT WASHER 10 | | 1 | | | | |
| 049 | 513443-2 | ARMATURE ASS'Y 220-240V | | 1 | | | | |
| D10 | | INC. 50-56 | | | | | | |
| 050 | 240084-8 | FAN 60 | | 1 | | | | |
| 051 | 681636-0 | INSULATION WASHER | | 1 | | | | |
| 052 | 210034-7 | BALL BEARING 607LLB | | 1 | | | | |
| 053 | 421868-5 | LABYRINTH RUBBER RING 19 | | 1 | | | | |
| 054 | 267756-0 | WAVE WASHER 6 | | 1 | | | | |
| 055 | 688117-5 | MAGNET SLEEVE | | 1 | | | | |
| 056 | 259039-2 | SELF LOCK 6 | | 1 | | | | |
| 057 | 266049-2 | TAPPING SCREW 4X75 | | 2 | | | | |
| 058 | 456116-3 | BAFFLE PLATE | | 1 | | | | |
| 059 | 621773-8 | FIELD 220-240V | | 1 | | | | |
| 060 | 851L09-5 | BO6050 NAME PLATE | | 1 | | | | |
| 061 | 419566-3 | SWITCH KNOB | | 1 | | | | |
| 062 | 456122-8 | FRONT SWITCH LEVER | | 1 | | | | |
| 063 | 456124-4 | PICUP COIL COVER | | 1 | | | | |
| 064 | 233071-4 | COMPRESSION SPRING 4 | | 1 | | | | |
| 065 | 456123-6 | REAR SWITCH LEVER | | 1 | | | | |
| 066 | 651423-1 | SWITCH | | 1 | | | | |
| 067 | 265995-6 | TAPPING SCREW 4X18 | | 1 | | | | |
| 068 | 687682-1 | STRAIN RELIEF | | 1 | | | | |
| 069 | 682566-8 | CORD GUARD 10 | | 1 | | | | |
| 070 | 665890-4 | POWER SUPPLY CORD 1.0-2-4.0 | | 1 | | | | |
| 071 | 456120-2 | MOTOR HOUSING | | 1 | | | | |
| 072 | 807P04-7 | INDICATION LABEL | | 1 | | | | |
| 073 | 688161-2 | LINE FILTER | | 1 | | | | |
| 074 | 620465-6 | CONTROLLER | | 1 | | | | |
| 075 | 645233-6 | NOISE SUPPRESOR | | 1 | | | | |
| 076 | 643770-4 | BRUSH HOLDER | | 2 | | | | |
| 077 | 266007-8 | TAPPING SCREW BIND PT 3X10 | | 2 | | | | |
| 078 | 194074-2 | CARBON BRUSH CB-325 | | 1 | | | | |
| 079 | 654532-5 | TERMINAL BLOCK 1P | | 1 | | | | |
| 080 | 456121-0 | REAR COVER | | 1 | | | | |
| 081 | 265995-6 | TAPPING SCREW 4X18 | | 1 | | | | |
| 082 | 143326-8 | NOZZLE COMPLETE | | 1 | | | | |
| A01 | 143328-4 | GRIP 36 COMPLETE | | 1 | | | | |
| A02 | 143676-1 | CONNECTOR PLASTIC CASE (TYPE3 | | 1 | | | | |
| C10 | 453974-8 | LATCH | | 4 | | | | |
| A03 | 838246-6 | INNER TRAY | | 1 | | | | |
| A04 | 807T73-2 | BO6050J INDICATION LABEL | | 1 | | | | |
| A05 | 807T74-0 | BO6050J PLASTIC CASE LABEL | | 2 | | | | |
| A06 | 794610-0 | ABRASIVE DISC 150#120 | | 1 | | | | |
| | | | | | | | | |
| | | | | | | | | |
| | | | | | | | | |
| | | | | | | | | |

Kérem az alkatrészt cikkszámával rendelje meg.

Dátum nyomtatása 2015/11/26