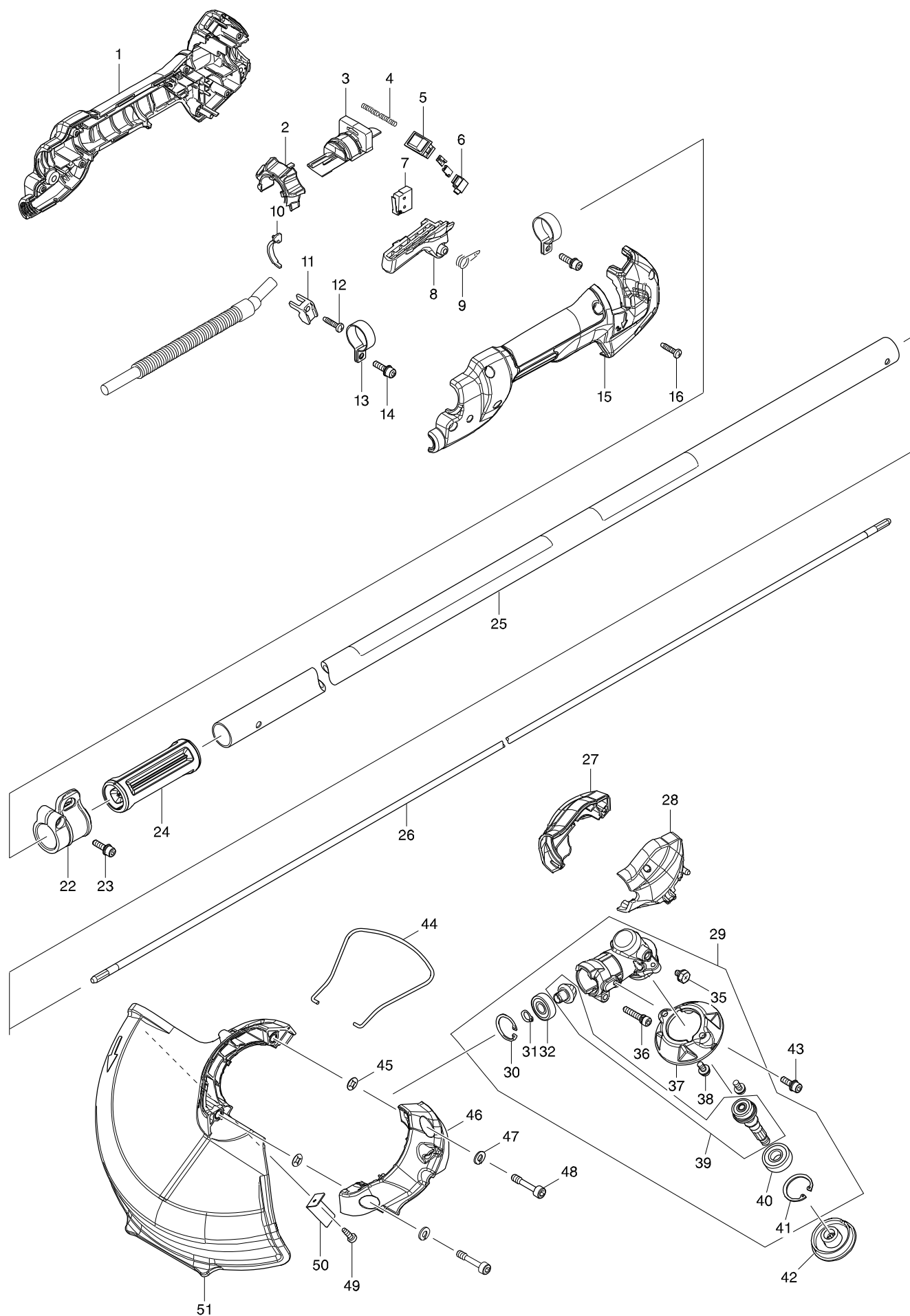
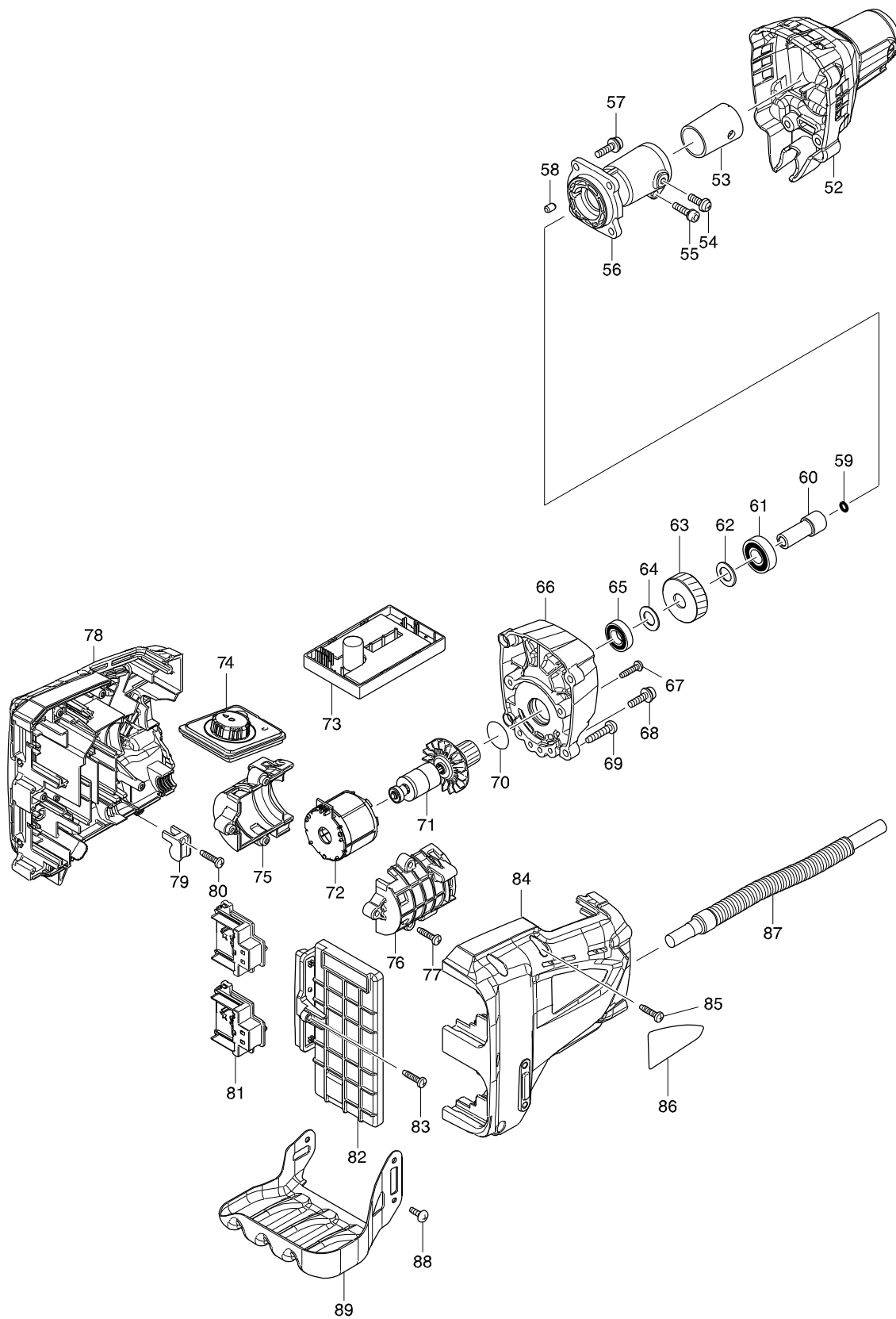


# Modellszám AT3731C CORDLESS GRASS TRIMMER



# Modellszám AT3731C CORDLESS GRASS TRIMMER



Tétel	Cikkszám	Megnevezés	Átala	Menny.	N/O	Opc 1	Opc 2	Megjegyzés
001	187698-1	GRIP SET		1				
D10		INC. 15						
002	454737-5	LOCK OFF LEVER		1				
003	454738-3	LEVER BASE		1				
004	234079-1	COMPRESSION SPRING 4		2				
005	651533-4	SWITCH SLE6A2-33		1				
006	686015-7	RECEPTACLE SLEEVE		1				
007	650704-0	SWITCH D2SW-P01L1-3M		1				
008	454736-7	SWITCH LEVER		1				
009	233612-6	TORSION SPRING 10		1				
010	451985-7	LEAD COVER		1				
011	687261-5	STRAIN RELIEF		1				
012	265995-6	TAPPING SCREW 4X18		1				
013	346248-3	CLAMP 24		2				
014	922228-9	H.S.H.BOLT M5X18 WITH WR		2				
015	187698-1	GRIP SET		1				
D10		INC. 1						
016	265995-6	TAPPING SCREW 4X18		6				
022	168478-4	HANGER		1				
023	922228-9	H.S.H.BOLT M5X18 WITH WR		1				
024-1	450659-7	SPACER		1				
025	142647-5	SHAFT PIPE COMPLETE DI		1				
C10	898861-8	CAUTION LABEL		1				
C20	893388-3	DOLMAR LOGO LABEL		1				
026	324893-4	SHAFT		1				
027	187800-6	PROTECTOR SET		1				
D10		INC. 28						
028	187800-6	PROTECTOR SET		1				
D10		INC. 27						
029	126439-0	GEAR CASE ASSEMBLY B		1				
D10		INC. 30-32,35-41						
030	257987-9	RETAINING RING (INT)R-24		1				
031	257986-1	RETAINING RING (EXT) S-9		1				
032	210049-4	BALL BEARING 609ZZ		1				
035	265578-2	+HEX.BOLT M6X8		1				
036	266805-0	H.S.H.BOLT M5X25 WITH W		1				
037	455026-1	GUARD		1				
038	265195-8	+PAN HEAD SCREW M5X12		2				
039	187920-6	CUTTER SHAFT SET		1				
040	210082-6	BALL BEARING 6000DDU		1				
041	257988-7	RETAINING RING (INT) R-26		1				
042	332042-9	RECEIVE WASHER		1				
043	922223-9	H.S.H.BOLT M5X16 WITH WR		1				
044	326348-5	WIRE GUARD		1				
045	413143-3	WASHER		2				
046	454641-8	PROTECTOR HOLDER		1				
047	942151-2	SPRING WASHER 6		2				
048	266579-3	HEX SOCKET HEAD BOLT M6X30		2				

Tétel	Cikkszám	Megnevezés	Átala	Menny.	N/O	Opc 1	Opc 2	Megjegyzés
049	266427-6	TAPPING SCREW 4X12		1	*			
049-1	266427-6	TAPPING SCREW 4X12	S	2				
050	346725-5	CUTTER		1	*			
050-1	347274-5	CUTTER	S	1				
051	454640-0	PROTECTOR		1	*			
051-1	457980-5	PROTECTOR	S	1				
052	454995-3	GEAR BOX COVER		1				
053	424307-4	PIPE RUBBER		1				
054	911223-4	PAN HEAD SCREW M5X16		1				
055	922231-0	HEX. SOCKET HEAD BOLT M5X20		1				
056	318560-1	PIPE BRACKET		1				
057	911233-1	PAN HEAD SCREW M5X20		4				
058	263002-9	RUBBER PIN 4		1				
059	213045-1	O-RING 6		1				
060	325811-5	SPINDLE HUB		1				
061	211148-5	BALL BEARING 6001ZZ		1				
062	253744-3	FLAT WASHER 12		1				
063	227720-3	HELICAL GEAR 33		1				
064	253744-3	FLAT WASHER 12		1				
065	211150-8	BALL BEARING 6901ZZ		1				
066	318559-6	GEAR BOX		1				
067	265995-6	TAPPING SCREW 4X18		4				
068	911233-1	PAN HEAD SCREW M5X20		2				
069	266041-8	TAPPING SCREW 5X25		4				
070	213961-7	O RING 22		1				
071	619254-4	ROTOR		1				
072	629123-1	STATOR		1				
073	620285-8	CONTROLLER		1	*			
073-1	620500-0	CONTROLLER	S	1				
074	142640-9	SUB CONTROLLER COMPLETE B		1				
075	188838-4	MOTOR HOUSING SET		1				
D10		INC. 76						
076	188838-4	MOTOR HOUSING SET		1				
D10		INC. 75						
077	265995-6	TAPPING SCREW 4X18		3				
078	187877-1	HOUSING SET		1	*			
D10		INC. 84			*			
078-1	183B93-5	HOUSING SET	S	1				
D10		INC. 84						
079	687261-5	STRAIN RELIEF		1				
080	265995-6	TAPPING SCREW 4X18		1				
081	644808-8	TERMINAL		2				
082	142642-5	ADAPTER CIRCUIT COMPLETE		1				
083	265995-6	TAPPING SCREW 4X18		3				
084	187877-1	HOUSING SET		1	*			
D10		INC. 78			*			
084-1	183B93-5	HOUSING SET	S	1				
D10		INC. 78						

