

SPARE PARTS LIST

PAGE 1

MODEL NO. AR410HR

ITEM	PART NO.	DESCRIPTION	QTY	NOTE
001	266431-5	HEX SOCKET HEAD BOLT M5X80	4	
002	816897-5	INDICATION LABEL	1	
003	266430-7	H.S. BUTTON HEAD BOLT M4X8	1	
004	450334-5	KNOB	1	
005	318233-6	TOP CAP	1	
006	233962-9	CONICAL COMPRESSION SPRING 10-15	1	
007	213045-1	O RING 6 AN711/911H	1	
008	162263-7	CHANGE VALVE	1	
009	267365-5	FLAT WASHER 19	1	
010	424149-6	REAR CUSHION	1	
011	213373-4	O-gyuru	1	
012	424072-5	SEAL RING	1	
013	234079-1	COMPRESSION SPRING 4	8	
014	213496-8	O-RING 54	1	
015	331851-3	CYLINDER STAY	1	
016	213145-7	O RING 47	1	
017	213143-1	O RING 40	1	
018	450306-0	HEAD VALVE	1	
019	213144-9	O-RING 45	1	
020	262146-2	RUBBER RING 16	1	
021	213265-7	O-gyuru 17 HR2400	1	
022	213275-4	O gyuru 18	1	
023	262145-4	RUBBER RING 16	1	
024	324951-6	PISTON CAP	1	
025	424151-9	REAR CUSHION	1	
026	213140-7	O-RING 11	1	
027	194708-7	DRIVER BIT SET INC. 20,25,26,30	1	
028	325592-1	MAIN PISTON	1	
029	268227-0	PIN 3	1	
030	213026-5	O-gyuru	1	
031	162260-3	TOP CAP GASKET	1	
032	318235-2	TOP CAP SPACER	1	
033	162260-3	TOP CAP GASKET	1	
034	424073-3	CYLINDER SEAL	1	
035	450304-4	OUTER CYLINDER	1	
036	213496-8	O-RING 54	1	
037	213497-6	O-RING 31.5	1	
038	450303-6	SEPARATER	1	
039	213495-0	O-RING 45	1	
040	213495-0	O-RING 45	1	
041	262140-4	RUBBER RING 23	1	
042	213987-9	O-RING 25	1	
043	331845-8	CYLINDER	1	
044	213989-5	O-RING 30	1	
045	424171-3	CUSHION RING	1	
046	324949-3	CUSHION GUIDE	1	
047	213185-5	O RING 12.5	1	
048	135211-9	FRONT CUSHION ASS'Y INC. 47,50	1	
050	213118-0	O RING 12	1	
051	213495-0	O-RING 45	1	
052	450302-8	OUTER SEPARATER	1	
053	213990-0	O-RING 31.5	1	
054	213261-5	O-gyuru 17 213261-5	1	
055	450301-0	INNER SEPARATER	1	
056	213223-3	O-gyuru	1	
057	211099-2	Golyóscsapágy 689ZZ	1	

SPARE PARTS LIST

PAGE 2

MODEL NO. AR410HR

ITEM	PART NO.	DESCRIPTION	QTY	NOTE
058	450300-2	UPPER DRUM CAP	1	
059	213062-1	O-gyuru 9 AN7000	1	
060	324855-2	ROTER	1	
061	413117-4	BLADE	5	
062	258024-2	SPRING PIN 2.5-5	1	
063	135193-5	DRUM ASSY INC. 62,64	1	
064	258024-2	SPRING PIN 2.5-5	1	
065	213062-1	O-gyuru 9 AN7000	1	
066	450299-1	LOWER DRUM CAP	1	
067	213991-8	O-RING 35	1	
068	211099-2	Golyóscsapágy 689ZZ	1	
069	135194-3	AIR MOTOR ASS'Y INC. 57-61,63,65-68	1	
070	267215-4	Alátét 15	1	
071	227186-7	SPUR GEAR 21	1	
072	227187-5	SPUR GEAR 10	5	
073	227185-9	INTERNAL SPUR GEAR 44	1	
074	158512-8	CARRIER COMPLETE	1	
075	211138-8	Golyóscsapágy 6001LLU HR3000C	1	
076	922252-2	HEX. SOCKET HEAD BOLT M5x30	4	
077	243106-3	PLUG	1	
078	286281-2	CAP 9	1	
079	233961-1	CONICAL COMPRESSION SPRING5-10	1	
080	424075-9	SHEET PACKING	1	
081	135190-1	INLET CAP ASSY INC. 77-80,82	1	
082	213987-9	O-RING 25	1	
083	413119-0	FILTER	1	
084	450311-7	INLET CAP SPACER	1	
085	162261-1	INLET CAP GASKET	1	
086	213162-7	O-gyuru 14 213162-7	1	
087	213154-6	O RING 14	1	
088	413124-7	INLET FILTER	1	
089	331803-4	PIPE 13	1	
090	213162-7	O-gyuru 14 213162-7	1	
091	188677-2	HOUSING SET INC. 98,100,101	1	
092	866088-8	AR410HR NAME PLATE	1	
093	265176-2	PAN.HD.SCREW M5x22	1	
094	419843-3	HOOK AN510H	1	
095	931202-6	Hatlapú anya M5 931202-6	1	
096	162255-6	HOOK BASE	1	
097	951075-1	Hasított Csapszeg 3-28 UM401DW	2	
098	819330-6	MAKITA ROGO LABEL R	1	
099	961011-9	Zárógyuru E-4 9611011-9	1	
100	819331-4	MAKITA ROGO LABEL L	1	
101	816918-3	INDICATION LABEL	1	
102	216008-6	Acélgolyó 4 216008-6	1	
103	231236-2	COMPRESSION SPRING 3	1	
104	162189-3	LOCK PIN 6	1	
105	962103-7	RETAINING RING R-24	1	
106	345781-2	CUP WASHER	1	
107	234046-6	COMPRESSION SPRING 10	1	
108	234045-8	COMPRESSION SPRING 9	1	
109	262123-4	RUBBER RING 14	1	
110	213971-4	O-RING 19	1	
111	324854-4	FEED PINTON	1	

SPARE PARTS LIST

PAGE 3

MODEL NO. AR410HR

ITEM	PART NO.	DESCRIPTION	QTY	NOTE
112	262130-7	URETHANE RING 4	1	
113	213007-9	O-gyuru 8 5014NB/AN7000	1	
114	234042-4	COMPRESSION SPRING 3	1	
115	310246-3	FEEDING CLAW	1	
116	268193-1	PIN 4.5	1	
117	158515-2	DRIVER GUIDE COMPLETE	1	
118	162262-9	DRIVER GUIDE GASKET	1	
119	266086-6	Imbuszcsavar M5x16, 13938E-tol	1	
120	451254-6	CONTACT ARM COVER	1	
121	922212-4	Imbuszcsavar M5x12 922212-4	2	
122	310217-0	LOCK PIN	1	
123	234003-4	COMPRESSION SPRING 5	1	
124	419814-0	DOOR	1	
125	262120-0	URETHANE RING 6	1	
126	262120-0	URETHANE RING 6	1	
127	268174-5	PIN 4	1	
128	922246-7	HEX. SOCKET HEAD BOLT M5X28	1	
129	267343-5	FLAT WASHER 5 AN711H	1	
130	256774-3	PIN 5	1	
131	961011-9	Zárógyuru E-4 9611011-9	1	
132	135259-1	MAGAZINE ASS'Y INC. 130,131,133	1	
133	158909-1	MAGAZINE CAP COMPLETE	1	
134	450788-6	TRIGGER VALVE GUIDE	1	
135	213275-4	O gyuru 18	1	
136	450310-9	PILOT VALVE	1	
137	213134-2	O-RING 11	1	
138	213984-5	O-RING 8	1	
139	213985-3	O-RING 8	1	
140	213986-1	O-RING 2	1	
141	234081-4	COMPRESSION SPRING 3	1	
142	325875-9	TRIGGER VALVE STEM	1	
143	213034-6	O RING 3	1	
144	213187-1	O-RING 13.5	1	
145	213310-8	O-gyuru 20 6805BV	1	
146	450308-6	TRIGGER VALVE CASE	1	
147	344265-7	IDLER	1	
148	450344-2	TRIGGER	1	
149	258004-8	HasítottCsapszeg 2,5-16 420S	1	
150	951075-1	Hasított Csapszeg 3-28 UM401DW	1	
151	450314-1	HOLDER	1	
152	951075-1	Hasított Csapszeg 3-28 UM401DW	1	
153	234044-0	COMPRESSION SPRING 6	1	
154	310247-1	STOPPER	1	
155	324745-9	ADJUSTING SHAFT	1	
156	233491-2	COMPRESSION SPRING 2	1	
157	216031-1	STEEL BALL 2.3	1	
158	158747-1	Adjuster	1	
159	951010-9	SPRING PIN 2-14	1	
160	951010-9	SPRING PIN 2-14	1	
161	310201-5	Adjuster Piece	1	
162	135301-8	CONTACT ARM ASSY INC. 154-161,163-169	1	
163	233511-2	TORSION SPRING 4	1	
164	310222-7	CHUCK	1	
165	261118-4	WASHER	2	
166	310221-9	CHUCK	1	
167	233511-2	TORSION SPRING 4	1	

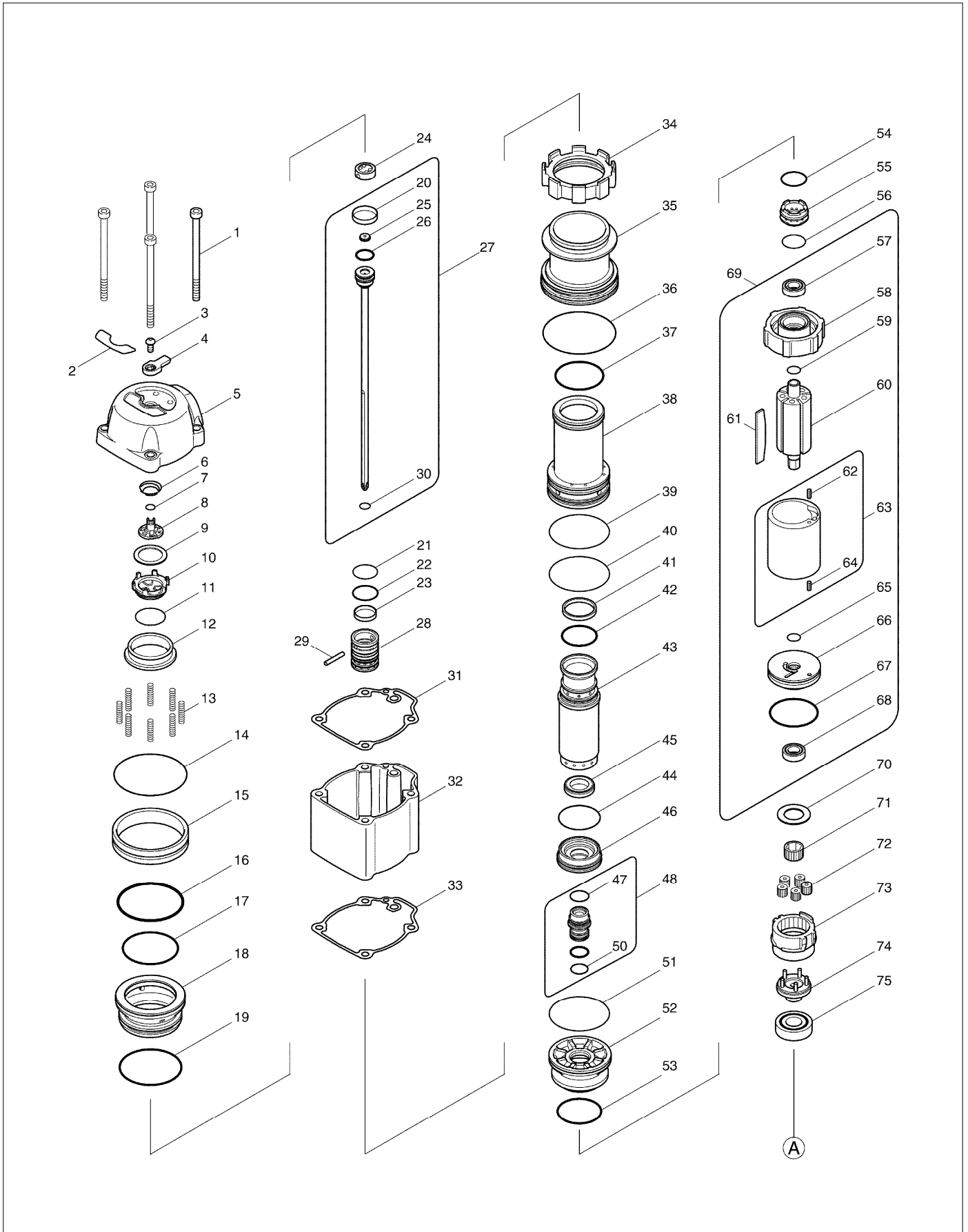
SPARE PARTS LIST

MODEL NO. AR410HR

ITEM	PART NO.	DESCRIPTION	QTY	NOTE
168	310220-1	CONTACT TOP	1	
169	268173-7	PIN 3.5	2	
170	424005-0	NOSE ADAPTER	1	
171	194738-8	AIR LEAK REPAIR SET INC. 16,17,19,37,135,137-140, INC. 143-145	1	
A01	195246-2	SAFETY GOGGLE	1	
A02	194381-3	OIL SUPPLY	1	
A03	194708-7	DRIVER BIT SET	1	
A04	783202-0	HEX. WRENCH 4	1	
A05	824864-6	PLASTIC CARRYING CASE	1	

SERVICE DRAWING

MODEL NO. AR410HR



SERVICE DRAWING

MODEL NO. AR410HR

