

SPARE PARTS LIST

PAGE 1

MODEL NO. AN911H

ITEM	PART NO.	DESCRIPTION	QTY	NOTE
001	265569-3	HEX. SOCKET HEAD BOLT M6x45	4	
002	158222-7	TOP CAP COMPLETE AN911	1	
003	413110-8	Filter AN911H	1	
004	233484-9	COMPRESSION SPRING 4 AN711H	9	
005	213668-5	O RING 60	1	
006	213612-2	O RING 50 AN711/911H	1	
007	419842-5	HEAD VALVE AN711/911H	1	
008	213657-0	#O-gyuru 53 AN5010	1	
009	424012-3	REAR CUSHION AN711/911H	1	
010	331760-6	HEAD VALVE GUIDE AN911H	1	
011	213720-9	O-gyuru 67 213720-9	1	
012	213982-9	O-RING 26 AN711/911H	1	
013	168440-9	DRIVER COMPLETE AN911H	1	
014	424013-1	Valve seat	1	
015	331759-1	Cylinder Stay	1	
016	331757-5	CYLINDER AN911H	1	
017	213657-0	#O-gyuru 53 AN5010	1	
018	213531-2	O RING 39 AN711/911H	1	
019	162254-8	Top cap gasket	1	
020	213045-1	O RING 6 AN711/911H	1	
021	866125-8	NAME PLATE 911H	1	
022	194737-0	AIR LEAK REPAIR SET INC. 5,6,8,112	1	
023	819324-1	LABEL L	1	
025	819323-3	LABEL R	1	
026	188603-1	HOUSING SET INC. 23,25	1	
027	331758-3	CYLINDER GUIDE AN711/911H	1	
028	424011-5	FRONT CUSHION AN711/911H	1	
029	213554-0	O-gyuru 44 213554-0	1	
030	213023-1	O-gyuru 4 HR3000C*	1	
031	310453-8	DRIVER GUIDE	1	
032	265565-1	HEX.SOCK.HEAD BOL.M8x30 AN711H	4	
033	413105-1	INLET FILTER AN711H/AN510H	1	
034	213521-5	O RING 36	1	
035	318108-9	INLET CAP	1	
036	286280-4	CAP 9	1	
037	243105-5	One touch joint	1	
038	951069-6	Hasított Csapszeg 3-20 (AN5010)	1	
039	951078-5	SPRING PIN AN711H/AN620H/510H	1	
040	951078-5	SPRING PIN AN711H/AN620H/510H	1	
041	951078-5	SPRING PIN AN711H/AN620H/510H	1	
042	265570-8	HEX.SOCK.HEAD BOLT M5x28 AN711	1	
043	267343-5	FLAT WASHER 5 AN711H	1	
044	265563-5	HEX. SOCKET BOLT M5x16 AN711H	1	
045	267343-5	FLAT WASHER 5 AN711H	1	
046	419846-7	MAGAZINE AN911H	1	
047	259042-3	STOP RING E-3	1	
048	233505-7	TORSION SPRING 7 AN711H	1	
049	256773-5	PIN 4	1	
050	158922-9	MAGAZINE CAP COMPLETE AN911H	1	
051	268168-0	PIN 3	1	
052	216001-0	Acélgolyó 3,5 216001-0*	1	
053	233492-0	COMPRESSION SPRING 2 AN711H	1	
054	419858-0	ADJUSTING SHAFT AN911H	1	
055	961105-0	Seeger-gyuru S-25 961105-0	1	
056	419859-8	ADJUST SLEEVE AN911H	1	
057	268169-8	PIN 2.5	1	

SPARE PARTS LIST

PAGE 2

MODEL NO. AN911H

ITEM	PART NO.	DESCRIPTION	QTY	NOTE
058	419860-3	CHANGE PLATE AN911H	1	
059	135229-0	MAGAZINE cpl. AN911H INC. 46-58	1	
060	162255-6	HOOK BASE	1	
061	931202-6	Hatlapú anya M5 931202-6	1	
062	168499-6	HOOK	1	
063	265176-2	PAN.HD.SCREW M5x22	1	
064	419845-9	CONTACT ARM COVER AN911H	1	
065	262130-7	URETHANE RING 4	1	
066	310231-6	FEEDING CLAW AN711H/AN911H	1	
067	233515-4	TORSION SPRING 9 AN711/911H	1	
068	268180-0	PIN 4.5 AN711H/AN911H	1	
069	255174-4	PUSH RIVET AN711H/AN911H	1	
070	941052-1	Lapos Alátét 4 941052-1	1	
071	413111-6	COVER AN911H	1	
072	941052-1	Lapos Alátét 4 941052-1	1	
073	255174-4	PUSH RIVET AN711H/AN911H	1	
074	165463-8	CONTACT ARM AN911H	1	
075	268178-7	PIN 4 AN911H	1	
076	262120-0	URETHANE RING 6	1	
077	213054-0	O-gyuru 9 5014NB	1	
078	324766-1	PISTON AN711H/911H	1	
079	213154-6	O RING 14	1	
080	262129-2	RUBBER RING 13 AN711H/911H	1	
081	234007-6	COMPRESSION SPRING 6	1	
082	234008-4	COMPRESSION SPRING 9	1	
083	213008-7	O-gyuru 22,4 HR2510/6830/6833	1	
084	419840-9	CYLINDER AN711/911H	1	
085	267345-1	Flat Washer 5 AN711/911H	2	
086	265562-7	HEX. BOLT M5x35	2	
087	262120-0	URETHANE RING 6	1	
088	310452-0	DOOR AN911H	1	
089	310233-2	LOCK LEVER AN711/911H	1	
090	233486-5	COMPRESSION SPRING 5 AN711H	1	
091	268177-9	SPRING PIN 2.5	1	
092	310451-2	NAIL HOLDER AN711/911H	1	
093	234009-2	Compression Spring 4 AN711H	1	
094	268177-9	SPRING PIN 2.5	1	
095	345802-0	CHECK CLAW AN711/911H	1	
096	234010-7	TENSION SPRING 5 AN711H/911H	1	
097	419861-1	DOOR COVER AN711H	1	
098	922107-1	Imbuszcsavar M4x8 922107-1	1	
099	941051-3	Lapos Alátét 4 941051-3	1	
100	922122-5	Hex. socket head bolt M4x14	1	
101	213233-0	O RING 15	1	
102	213275-4	O gyuru 18	1	
103	419841-7	TRIGGER VALVE GUIDE AN711H	1	
104	213968-3	O RING 7	2	
105	419958-6	PILOT VALVE	1	
106	213185-5	O RING 12.5	1	
107	234187-8	Compression Spring 3 AN711H	1	
108	213034-6	O RING 3	1	
109	324743-3	TRIGGER VALVE STEM	1	
110	213979-8	O RING 3	2	
111	213275-4	O gyuru 18	1	
112	194737-0	AIR LEAK REPAIR SET INC. 22,101,102,104,106,108, INC. 110,111	1	

SPARE PARTS LIST

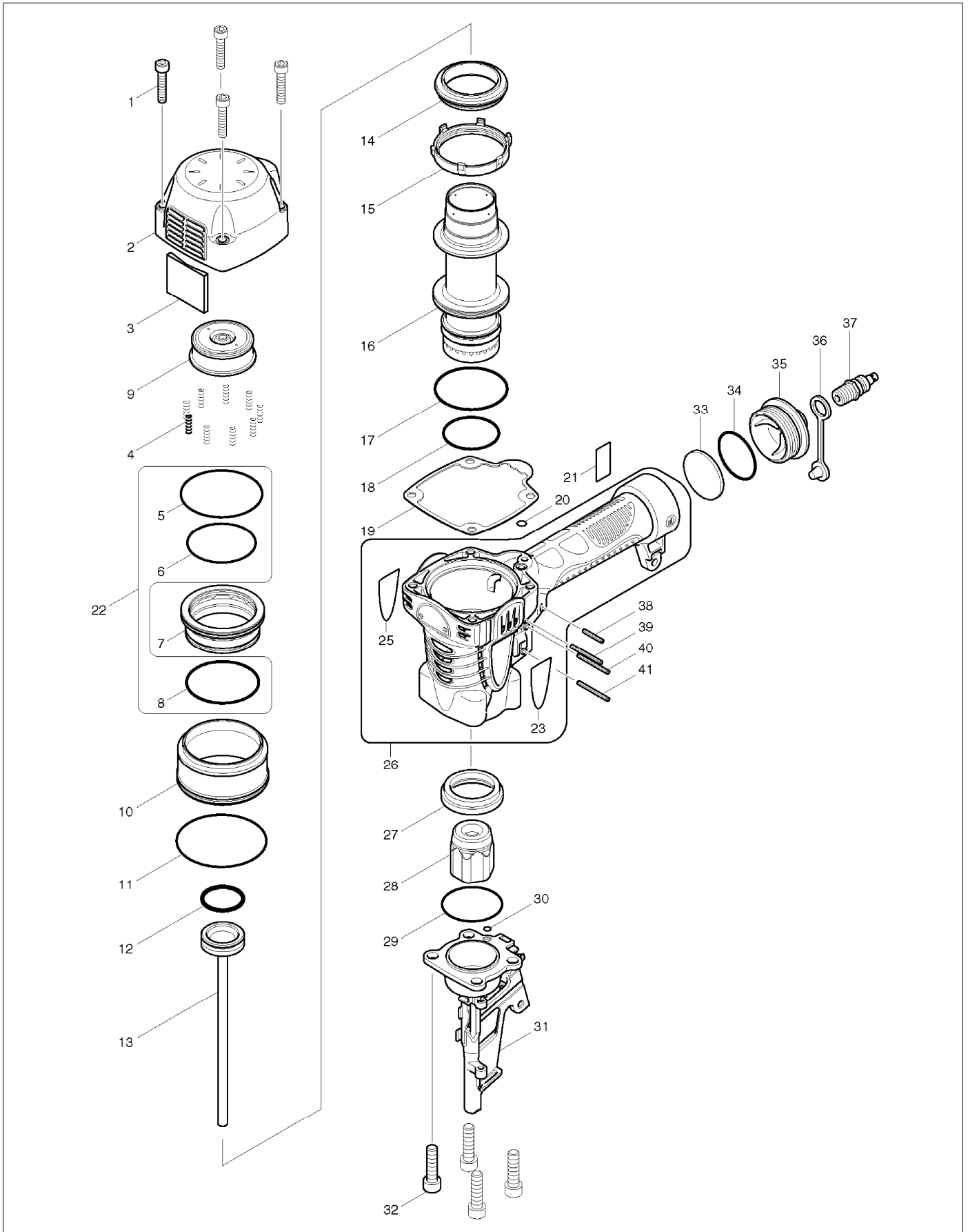
PAGE 3

MODEL NO. AN911H

ITEM	PART NO.	DESCRIPTION	QTY	NOTE
113	331741-0	TRIGGER VALVE CASE	1	
114	233501-5	TORSION SPRING 5	1	
115	310199-6	STOPPER PLATE	1	
116	233576-4	TORSION SPRING 6	1	
117	310310-0	LEVER	1	
118	419844-1	TRIGGER	1	
119	216024-8	STEEL BALL 4	1	
120	233490-4	COMPRESSION SPRING 2	1	
121	419743-7	SPRING COVER	1	
122	268168-0	PIN 3	1	
123	268168-0	PIN 3	1	
124	951007-8	SPRING PIN 2-12	1	
125	310294-2	TRIGGER	1	
126	231699-2	TORSION SPRING 4	1	
127	310196-2	TRIP LEVER	1	
128	310198-8	LEVER	1	
129	233503-1	TORSION SPRING 4	1	
130	135231-3	TRIGGER INC. 114-129	1	
131	310293-4	CHANGE ROD AN711H	1	
132	233489-9	COMPRESSION SPRING 6	1	
133	310227-7	YOKE UPPER	1	
134	324767-9	ADJUSTING SHAFT	1	
135	233491-2	COMPRESSION SPRING 2	1	
136	216031-1	STEEL BALL 2.3	1	
137	158747-1	Adjuster	1	
139	951010-9	SPRING PIN 2-14	1	
141	951010-9	SPRING PIN 2-14	1	
142	310201-5	Adjuster Piece	1	
143	345801-2	SLIDE PLATE	1	
144	135228-2	Adjuster INC. 133-137,139,141-143	1	
A01	424136-5	Nose adapter	1	
A02	195246-2	SAFETY GOGGLE	1	
A03	194381-3	OIL SUPPLY	1	
A04	824792-5	PLASTIC CARRYING CASE	1	

SERVICE DRAWING

MODEL NO. AN911H



SERVICE DRAWING

MODEL NO. AN911H

