

SPARE PARTS LIST

PAGE 1

MODEL NO. AN620H

ITEM	PART NO.	DESCRIPTION	QTY	NOTE
001	922212-4	Imbuszcsavar M5x12 922212-4	1	
002	267343-5	FLAT WASHER 5 AN711H	1	
003	419734-8	EXHAUST COVER AN620H	1	
004	413103-5	Filter AN620H/610H	1	
005	419735-6	SEAL COVER AN620H/610H	1	
006	922257-2	HEX.SOCKET HEAD BOLT M5X35	4	
007	318109-7	TOP CAP AN620H/610H	1	
008	233484-9	COMPRESSION SPRING 4 AN711H	8	
009	213021-5	O-gyuru 5 LS080/0810/LS1013	1	
010	213604-1	O-gyuru 50 213604-1	1	
011	213447-1	O RING 30 AN620H/450H/610H	1	
012	419736-4	HEAD VALVE AN620H/450/610H	1	
013	213558-2	O-gyuru 42 (213558-2) AN5010	2	
014	421983-5	REAR CUSHION	1	
015	213967-5	O RING 22.5	1	
016	135174-9	DRIVER ASSY INC. 15,17	1	
017	168454-8	DRIVER AN620H	1	
018	267342-7	FLAT WASHER 26	1	
019	421981-9	Valve seat AN620H/450H/610H	1	
020	331740-2	Cylinder AN620H/610H	1	
021	213509-5	O-gyuru 40 AN5010	1	
022	213475-6	O RING 34	1	
023	324742-5	CYLINDER GUIDE AN620H/610H	1	
024	421982-7	CUSHION FRONT AN620H/610H	1	
025	213528-1	O RING 38	1	
026	162246-7	Top cap gasket AN620H/450H	1	
027	819321-7	MAKITA LABEL R	1	
029	819322-5	MAKITA LABEL L	1	
031	951078-5	SPRING PIN AN711H/AN620H/510H	1	
032	951078-5	SPRING PIN AN711H/AN620H/510H	1	
033	258029-2	SPRING PIN 3-30	1	
034	951069-6	Hasított Csapszeg 3-20 (AN5010)	1	
036	188604-9	HOUSING SET INC. 27,29	1	
037	213970-6	O RING 4	1	
038	310251-0	DRIVER GUIDE AN620H	1	
039	922332-4	Hex. Socket Head Bolt M6x20	4	
040	213521-5	O RING 36	1	
041	318108-9	INLET CAP	1	
042	286280-4	CAP 9	1	
043	243105-5	One touch joint	1	
044	264008-0	Hex. Nut M5-8	1	
045	419737-2	MAGAZINE	1	
046	259042-3	STOP RING E-3	1	
047	233504-9	TORSION SPRING 8	1	
048	256773-5	PIN 4	1	
049	158918-0	MAGAZINE CAP COMPLETE	1	
050	419747-9	ADJUSTING SHAFT	1	
051	268166-4	PIN 2.5 AN620H/610H	1	
052	961105-0	Seeger-gyuru S-25 961105-0	1	
053	268167-2	PIN 2.5	1	
054	419746-1	ADJUST SLEEVE	1	
055	216001-0	Acélgolyó 3,5 216001-0*	2	
056	232233-1	LEAF SPRING	1	
057	419745-3	CHANGE PLATE	1	
058	135256-7	MAGAZINE ASS'Y INC. 45-57	1	

SPARE PARTS LIST

PAGE 2

MODEL NO. AN620H

ITEM	PART NO.	DESCRIPTION	QTY	NOTE
059	419739-8	Hook	1	
060	911257-7	PAN HEAD SCREW M5x35	1	
062	922212-4	Imbuszcsavar M5x12 922212-4	1	
063	419740-3	CONTACT ARM COVER	1	
064	262120-0	URETHANE RING 6	1	
065	310195-4	FEEDING CLAW	1	
066	268165-6	Pin 4.5	1	
067	231632-4	TORSION SPRING 6	1	
069	421418-6	RUBBER PIN 9.5	1	
070	413104-3	COVER	1	
071	165492-1	CONTACT ARM	1	
072	256772-7	PIN 4	1	
073	310193-8	DOOR	1	
074	262120-0	URETHANE RING 6	1	
078	162247-5	LOCK LEVER AN620H/AN510H	1	
079	233486-5	COMPRESSION SPRING 5 AN711H	1	
080	421418-6	RUBBER PIN 9.5	1	
081	266419-5	HEX. SOCKET HEAD BOLT M4x12	1	
082	419741-1	DOOR COVER	1	
083	268164-8	PIN 3	1	
084	266419-5	HEX. SOCKET HEAD BOLT M4x12	1	
085	310194-6	Nail Holder	1	
086	233487-3	Compression Spring 8	1	
087	345774-9	CHECK CLAW	1	
088	213054-0	O-gyuru 9 5014NB	1	
089	324744-1	PISTON	1	
090	213154-6	O RING 14	1	
091	233198-0	COMPRESSION SPRING 9	1	
092	262075-9	RUBBER RING 16	1	
093	344452-8	Cup Washer 5	1	
094	962103-7	RETAINING RING R-24	1	
095	213233-0	O RING 15	1	
096	213275-4	O gyuru 18	1	
097	419732-2	TRIGGER VALVE GUIDE AN510H	1	
098	213968-3	O RING 7	2	
099	419733-0	PILOT VALVE AN610H	1	
100	233485-7	COMPRESSION SPRING 4 AN510H	1	
101	213034-6	O RING 3	1	
102	324743-3	TRIGGER VALVE STEM	1	
103	213979-8	O RING 3	2	
104	213185-5	O RING 12.5	1	
105	213275-4	O gyuru 18	1	
106	331741-0	TRIGGER VALVE CASE	1	
108	233501-5	TORSION SPRING 5	1	
109	310199-6	STOPPER PLATE	1	
110	233576-4	TORSION SPRING 6	1	
111	310310-0	LEVER	1	
112	310293-4	CHANGE ROD AN711H	1	
113	216024-8	STEEL BALL 4	1	
114	233490-4	COMPRESSION SPRING 2	1	
115	419743-7	SPRING COVER	1	
116	268168-0	PIN 3	1	
117	268168-0	PIN 3	1	
118	951007-8	SPRING PIN 2-12	1	
119	310294-2	TRIGGER	1	
120	231699-2	TORSION SPRING 4	1	
121	310196-2	TRIP LEVER	1	
122	310198-8	LEVER	1	

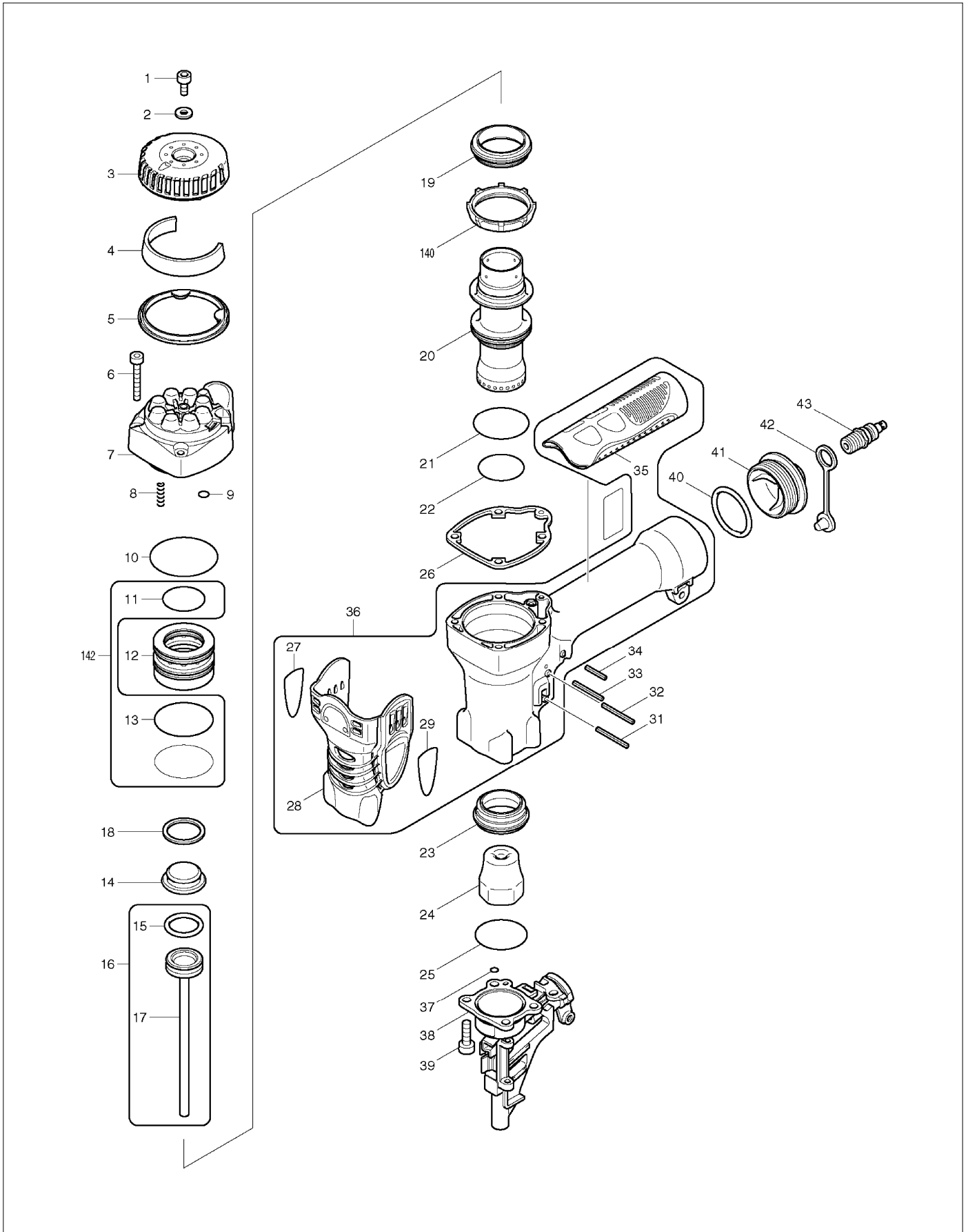
SPARE PARTS LIST

MODEL NO. AN620H

ITEM	PART NO.	DESCRIPTION	QTY	NOTE
123	233503-1	TORSION SPRING 4	1	
124	419844-1	TRIGGER	1	
125	135231-3	TRIGGER	1	
		INC. 108-111,113-124		
126	233489-9	COMPRESSION SPRING 6	1	
127	951010-9	SPRING PIN 2-14	1	
128	310201-5	Adjuster Piece	1	
129	345775-7	SLIDE PLATE	1	
130	262120-0	URETHANE RING 6	1	
131	310234-0	UPPER YORK	1	
132	324745-9	ADJUSTING SHAFT	1	
133	233491-2	COMPRESSION SPRING 2	1	
134	216031-1	STEEL BALL 2.3	1	
137	951010-9	SPRING PIN 2-14	1	
138	135232-1	ADJUSTER	1	
		INC. 127-129,131-134,137,141		
139	233488-1	Compression spring 5	1	
140	331739-7	Cylinder Stay	1	
141	158747-1	Adjuster	1	
142	194735-4	AIR LEAK REPAIR SET	1	
		INC. 11,13,143		
143	194735-4	AIR LEAK REPAIR SET	1	
		INC. 95,96,98,101,103-105,142		
144	866119-3	NAME PLATE	1	
A01	421984-3	Nose adapter	1	
A02	195246-2	SAFETY GOGGLE	1	
A03	194381-3	OIL SUPPLY	1	
A04	824490-1	PLASTIC CARRYING CASE	1	

SERVICE DRAWING

MODEL NO. AN620H



SERVICE DRAWING

MODEL NO. AN620H

