

SPARE PARTS LIST

PAGE 1

MODEL NO. AN450H

ITEM	PART NO.	DESCRIPTION	QTY	NOTE
001	266501-0	HEX. SOCKET BUTTON BOLT M5	1	
002	346013-0	EXHAUST COVER AN450H	1	
003	450834-5	EXHAUST COVER AN450H	1	
004	413128-9	FILTER AN450H	1	
005	922257-2	HEX.SOCKET HEAD BOLT M5X35	4	
006	318109-7	TOP CAP AN620H/610H	1	
007	346011-4	REAR HOUSING GUARD	2	
008	233484-9	COMPRESSION SPRING 4 AN711H	8	
009	213604-1	O-gyuru 50 213604-1	1	
010	213447-1	O RING 30 AN620H/450H/610H	1	
011	419736-4	HEAD VALVE AN620H/450/610H	1	
012	213558-2	O-gyuru 42 (213558-2) AN5010	2	
013	194735-4	AIR LEAK REPAIR SET INC. 10,13,112	1	
014	267342-7	FLAT WASHER 26	1	
015	424225-6	REAR CUSHION	1	
016	213282-7	O RING 17 AN510H	1	
017	158827-3	DRIVER COMPLETE	1	
018	135248-6	DRIVER ASS'Y INC. 16,17	1	
019	421981-9	Valve seat AN620H/450H/610H	1	
020	331739-7	Cylinder Stay	1	
021	331847-4	CYLINDER AN450H	1	
022	213509-5	O-gyuru 40 AN5010	1	
023	213413-8	O RING 28 AN450H	1	
024	162246-7	Top cap gasket AN620H/450H	1	
025	213021-5	O-gyuru 5 LS080/0810/LS1013	1	
026	866139-7	NAME PLATE AN450H	1	
027	819321-7	MAKITA LABEL R	1	
028	819322-5	MAKITA LABEL L	1	
029	188604-9	HOUSING SET INC. 27,28,146	1	
030	324968-9	CYLINDER GUIDE AN450H	1	
031	424159-3	FRONT CUSHION AN450H	1	
032	213528-1	O RING 38	1	
033	346010-6	FRONT HOUSING GUARD	2	
034	213970-6	O RING 4	1	
035	158828-1	DRIVER GUIDE AN450H	1	
036	266087-4	HEX. BOLT M6X25	4	
037	951078-5	SPRING PIN AN711H/AN620H/510H	1	
038	951078-5	SPRING PIN AN711H/AN620H/510H	1	
039	258029-2	SPRING PIN 3-30	1	
040	951069-6	Hasított Csapszeg 3-20 (AN5010)	1	
041	213521-5	O RING 36	1	
042	318108-9	INLET CAP	1	
043	286280-4	CAP 9	1	
044	243105-5	One touch joint	1	
045	322532-0	LOCK PIN AN450H	1	
046	231307-5	#Nyomórugó 6 AN5010/7000/LS10	1	
047	158924-5	MAGAZINE CAP AN450H	1	
048	267010-2	Lapos Alátét 5 267010-2 JS1650	1	
049	414933-7	LOCK LEVER	1	
050	266233-9	HEX. SOCKET HEAD BOLT M5x12	1	
051	807990-6	AN450H MAGAZINE LABEL	1	
052	414934-5	HOLDER CAP	1	
053	266233-9	HEX. SOCKET HEAD BOLT M5x12	2	
054	415169-1	CHANGE PLATE AN450H	1	
055	423232-6	CORK RUBBER PLATE	1	

SPARE PARTS LIST

PAGE 2

MODEL NO. AN450H

ITEM	PART NO.	DESCRIPTION	QTY	NOTE
056	231793-0	Rugó 2012NB	1	
057	414934-5	HOLDER CAP	1	
058	415779-4	MAGAZINE AN450H	1	
059	266099-7	HEX.SOCKET HEAD BOLT M5x25	1	
061	344254-2	magazine Guard AN450H	1	
062	911110-7	Csavar BHR200	1	
063	921332-1	Hatlapfeju csavar M6x20*	1	
064	911110-7	Csavar BHR200	1	
065	341718-7	Lap a szorító karhoz SR1800/S	1	
066	343977-9	LEVER PLATE AN450H	1	
067	257166-9	RING 9 AN450H	1	
068	266099-7	HEX.SOCKET HEAD BOLT M5x25	1	
070	343978-7	Single Guide AN45H	1	
071	257140-7	RING 6 AN450H	1	
072	165250-5	ADJUSTER PLATE AN450H	1	
073	450832-9	Cover AN450H	1	
074	256779-3	PIN 4 AN450H	1	
075	262120-0	URETHANE RING 6	1	
076	262120-0	URETHANE RING 6	1	
077	311914-1	DOOR AN450H	1	
078	256778-5	PIN 4 AN450H	1	
079	233095-0	COMPRESSION SPRING 4 AN450H	1	
080	311913-3	CHECK CLAW AN4510H	1	
081	951054-9	Rugós Csapszeg 3-10	1	
082	310098-2	FEEDING CLAW AN4510H	1	
083	256432-1	PIN 4 - 4.5	1	
084	231603-1	TORSION SPRING 6 AN450	1	
085	213054-0	O-gyuru 9 5014NB	1	
086	262120-0	URETHANE RING 6	1	
087	324965-5	PISTON AN450H	1	
088	213154-6	O RING 14	1	
089	233346-1	COMPRESSION SPRING AN450H	1	
090	262075-9	RUBBER RING 16	1	
091	344452-8	Cup Washer 5	1	
092	962103-7	RETAINING RING R-24	1	
093	931202-6	Hatlapú anya M5 931202-6	1	
094	162255-6	HOOK BASE	1	
095	419843-3	HOOK AN510H	1	
096	265176-2	PAN.HD.SCREW M5x22	1	
097	346012-2	MAGAZINE LOCK AN450H	1	
099	266369-4	HEX. SOCKET HEAD BOLT M5x20	1	
100	213233-0	O RING 15	1	
101	213275-4	O gyuru 18	1	
102	419732-2	TRIGGER VALVE GUIDE AN510H	1	
103	213968-3	O RING 7	2	
104	419733-0	PILOT VALVE AN610H	1	
105	213185-5	O RING 12.5	1	
106	233485-7	COMPRESSION SPRING 4 AN510H	1	
107	213034-6	O RING 3	1	
108	324743-3	TRIGGER VALVE STEM	1	
109	213979-8	O RING 3	2	
110	213275-4	O gyuru 18	1	
111	331741-0	TRIGGER VALVE CASE	1	
112	194735-4	AIR LEAK REPAIR SET INC. 13,100,101,103,105,107, 109,110	1	
113	233501-5	TORSION SPRING 5	1	
114	310199-6	STOPPER PLATE	1	

SPARE PARTS LIST

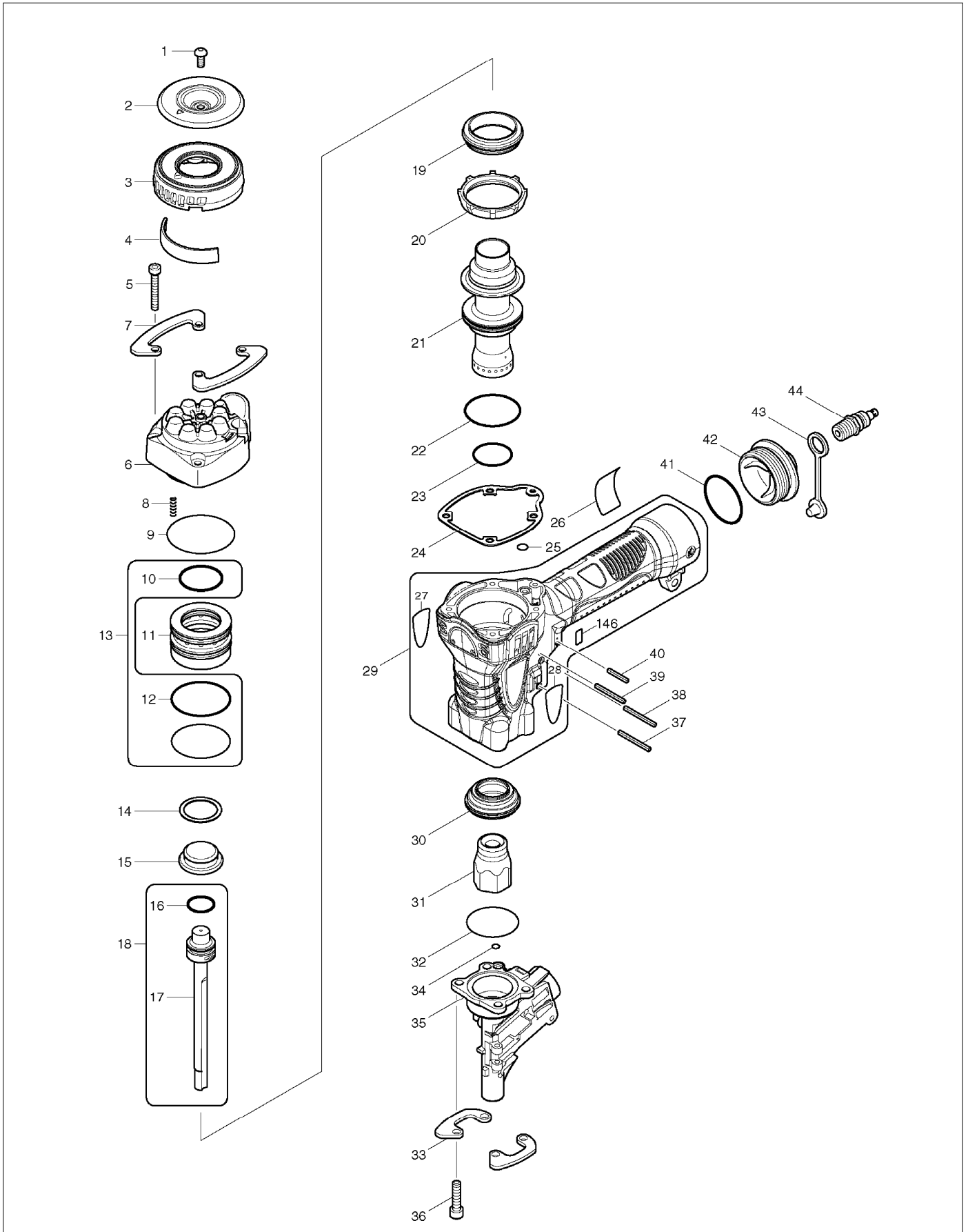
PAGE 3

MODEL NO. AN450H

ITEM	PART NO.	DESCRIPTION	QTY	NOTE
115	233576-4	TORSION SPRING 6	1	
116	310310-0	LEVER	1	
117	216024-8	STEEL BALL 4	1	
118	233490-4	COMPRESSION SPRING 2	1	
119	419743-7	SPRING COVER	1	
120	419844-1	TRIGGER	1	
121	268168-0	PIN 3	1	
122	268168-0	PIN 3	1	
123	951007-8	SPRING PIN 2-12	1	
124	310294-2	TRIGGER	1	
125	231699-2	TORSION SPRING 4	1	
126	310196-2	TRIP LEVER	1	
127	310198-8	LEVER	1	
128	233503-1	TORSION SPRING 4	1	
129	135231-3	TRIGGER	1	
		INC. 113-128		
130	310293-4	CHANGE ROD AN711H	1	
131	233489-9	COMPRESSION SPRING 6	1	
132	951010-9	SPRING PIN 2-14	1	
133	310201-5	Adjuster Piece	1	
134	310234-0	UPPER YORK	1	
135	324745-9	ADJUSTING SHAFT	1	
136	233491-2	COMPRESSION SPRING 2	1	
137	216031-1	STEEL BALL 2.3	1	
138	158747-1	Adjuster	1	
139	951010-9	SPRING PIN 2-14	1	
140	345775-7	SLIDE PLATE	1	
141	262120-0	URETHANE RING 6	1	
142	165546-4	CONTACT ARM AN450H	1	
143	265480-9	HEX. SOCKET HEAD BOLT M5X8	1	
144	165545-6	CONTACT TOP AN450H	1	
145	135232-1	ADJUSTER	1	
		INC. 132-140		
146	816919-1	INDICATION LABEL	1	
A01	195246-2	SAFETY GOGGLE	1	
A02	194381-3	OIL SUPPLY	1	
A03	783202-0	HEX. WRENCH 4	1	
A04	824792-5	PLASTIC CARRYING CASE	1	

SERVICE DRAWING

MODEL NO. AN450H



SERVICE DRAWING

MODEL NO. AN450H

