

SPARE PARTS LIST

PAGE 1

MODEL NO. AN250HC

ITEM	PART NO.	DESCRIPTION	QTY	NOTE
001	265566-9	HEX.SOCK.HEAD BOLT M6x30 AN711	4	
002	158219-6	TOP CAP COMPLETE AN711H	1	
003	413112-4	FILTER AN711H	1	
004	233484-9	COMPRESSION SPRING 4 AN711H	9	
005	213668-5	O RING 60	1	
006	213612-2	O RING 50 AN711/911H	1	
007	419842-5	HEAD VALVE AN711/911H	1	
008	213657-0	#O-gyuru 53 AN5010	1	
009	424012-3	REAR CUSHION AN711/911H	1	
010	331764-8	HEAD VALVE GUIDE AN711H	1	
011	213720-9	O-gyuru 67 213720-9	1	
012	213982-9	O-RING 26 AN711/911H	1	
013	168538-2	DRIVER	1	
014	424013-1	Valve seat	1	
015	331759-1	Cylinder Stay	1	
016	331763-0	CYLINDER AN711H	1	
017	213657-0	#O-gyuru 53 AN5010	1	
018	213531-2	O RING 39 AN711/911H	1	
019	162254-8	Top cap gasket	1	
020	213045-1	O RING 6 AN711/911H	1	
021	867290-6	AN250HC NAME PLATE	1	
022	194737-0	AIR LEAK REPAIR SET INC. 5,6,8,112	1	
023	819324-1	LABEL L	1	
025	819323-3	LABEL R	1	
026	188777-8	HOUSING SET INC. 23,25	1	
027	331758-3	CYLINDER GUIDE AN711/911H	1	
028	424011-5	FRONT CUSHION AN711/911H	1	
029	213554-0	O-gyuru 44 213554-0	1	
030	213021-5	O-gyuru 5 LS080/0810/LS1013	1	
031	310318-4	DRIVER GUIDE	1	
032	265565-1	HEX.SOCK.HEAD BOL.M8x30 AN711H	4	
033	413105-1	INLET FILTER AN711H/AN510H	1	
034	213521-5	O RING 36	1	
035	318108-9	INLET CAP	1	
036	286280-4	CAP 9	1	
037	243105-5	One touch joint	1	
038	951069-6	Hasitott Csapszeg 3-20 (AN5010)	1	
039	951078-5	SPRING PIN AN711H/AN620H/510H	1	
040	951078-5	SPRING PIN AN711H/AN620H/510H	1	
041	951078-5	SPRING PIN AN711H/AN620H/510H	1	
042	265919-2	HEX. SOCKET HEAD BOLT M5X30	1	
043	325725-8	SLEEVE 5	1	
044	266369-4	HEX. SOCKET HEAD BOLT M5x20	1	
045	267343-5	FLAT WASHER 5 AN711H	1	
046	451377-0	MAGAZINE	1	
047	262120-0	URETHANE RING 6	1	
049	256678-9	PIN 4	1	
050	140304-9	MAGAZINE CAP COMPLETE	1	
060	162255-6	HOOK BASE	1	
061	931202-6	Hatlapú anya M5 931202-6	1	
062	168499-6	HOOK	1	
063	265176-2	PAN.HD.SCREW M5x22	1	
064	451379-6	CONTACT ARM COVER	1	
065	262120-0	URETHANE RING 6	1	
066	310320-7	FEEDING CLAW	1	
067	234150-1	COMPRESSION SPRING 3	1	

SPARE PARTS LIST

PAGE 2

MODEL NO. AN250HC

ITEM	PART NO.	DESCRIPTION	QTY	NOTE
068	256432-1	PIN 4 - 4.5	1	
074	165584-6	CONTACT ARM	1	
075	256782-4	PIN 5	1	
076	262120-0	URETHANE RING 6	1	
077	213054-0	O-gyuru 9 5014NB	1	
078	325718-5	PISTON	1	
079	213154-6	O RING 14	1	
080	262123-4	RUBBER RING 14	1	
081	234045-8	COMPRESSION SPRING 9	1	
082	234046-6	COMPRESSION SPRING 10	1	
083	345781-2	CUP WASHER	1	
084	962103-7	RETAINING RING R-24	1	
087	262120-0	URETHANE RING 6	1	
088	310319-2	DOOR	1	
089	325721-6	LOCK PIN	1	
090	233201-7	COMPRESSION SPRING 44	1	
091	310050-0	LOCK LEVER	1	
092	266167-6	HEX. SOCKET HEAD BOLT M4x10	1	
093	922211-6	HEX. SOCKET HEAD BOLT M5x12	1	
094	346127-5	HOLDER	1	
101	213233-0	O RING 15	1	
102	213275-4	O gyuru 18	1	
103	419841-7	TRIGGER VALVE GUIDE AN711H	1	
104	213968-3	O RING 7	2	
105	419958-6	PILOT VALVE	1	
106	213185-5	O RING 12.5	1	
107	234187-8	Compression Spring 3 AN711H	1	
108	213034-6	O RING 3	1	
109	324743-3	TRIGGER VALVE STEM	1	
110	213979-8	O RING 3	2	
111	213275-4	O gyuru 18	1	
112	194737-0	AIR LEAK REPAIR SET INC. 22,101,102,104,106,108, INC. 110,111	1	
113	331741-0	TRIGGER VALVE CASE	1	
114	233501-5	TORSION SPRING 5	1	
115	310199-6	STOPPER PLATE	1	
116	233502-3	TORSION SPRING 6	1	
117	310310-0	LEVER	1	
118	419844-1	TRIGGER	1	
119	216024-8	STEEL BALL 4	1	
120	233490-4	COMPRESSION SPRING 2	1	
121	419743-7	SPRING COVER	1	
122	268168-0	PIN 3	1	
123	268168-0	PIN 3	1	
124	951007-8	SPRING PIN 2-12	1	
125	310190-4	TRIGGER	1	
126	231699-2	TORSION SPRING 4	1	
127	310196-2	TRIP LEVER	1	
130	135188-8	TRIGGER ASSEMBLY INC. 114-127	1	
131	310187-3	CHANGE ROD	1	
132	233489-9	COMPRESSION SPRING 6	1	
133	310227-7	YOKE UPPER	1	
134	324767-9	ADJUSTING SHAFT	1	
135	233491-2	COMPRESSION SPRING 2	1	
136	216031-1	STEEL BALL 2.3	1	
137	158747-1	Adjuster	1	

SPARE PARTS LIST

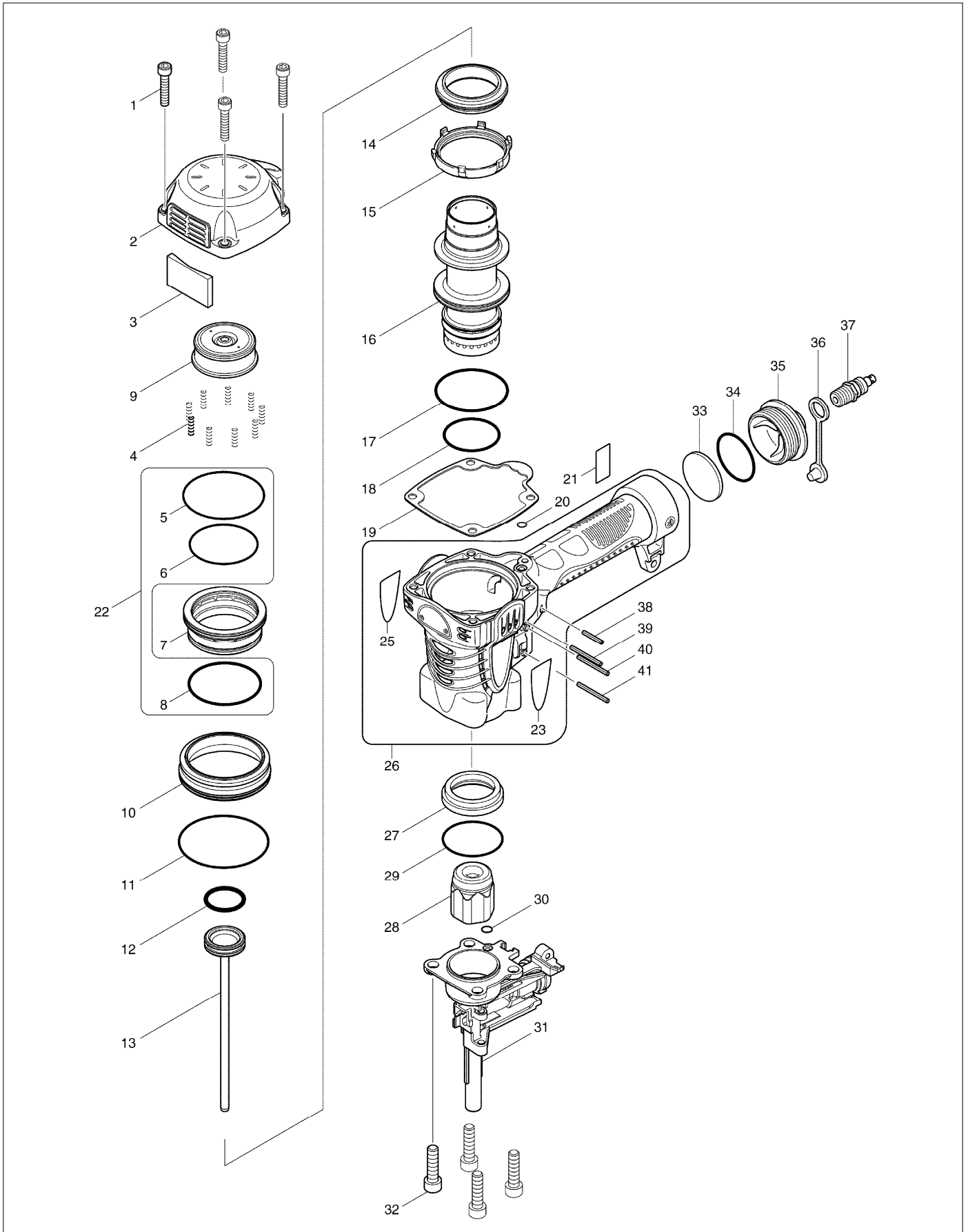
PAGE 3

MODEL NO. AN250HC

ITEM	PART NO.	DESCRIPTION	QTY	NOTE
139	951010-9	SPRING PIN 2-14	1	
141	951010-9	SPRING PIN 2-14	1	
142	310201-5	Adjuster Piece	1	
143	345801-2	SLIDE PLATE	1	
144	135228-2	Adjuster	1	
		INC. 133-137,139,141-143		
A01	424234-5	NOSE ADAPTER A	2	
A02	424237-9	NOSE ADAPTER B	2	
A03	824792-5	PLASTIC CARRYING CASE	1	
A04	195246-2	SAFETY GOGGLE	1	
A05	194381-3	OIL SUPPLY	1	

SERVICE DRAWING

MODEL NO. AN250HC



SERVICE DRAWING

MODEL NO. AN250HC

