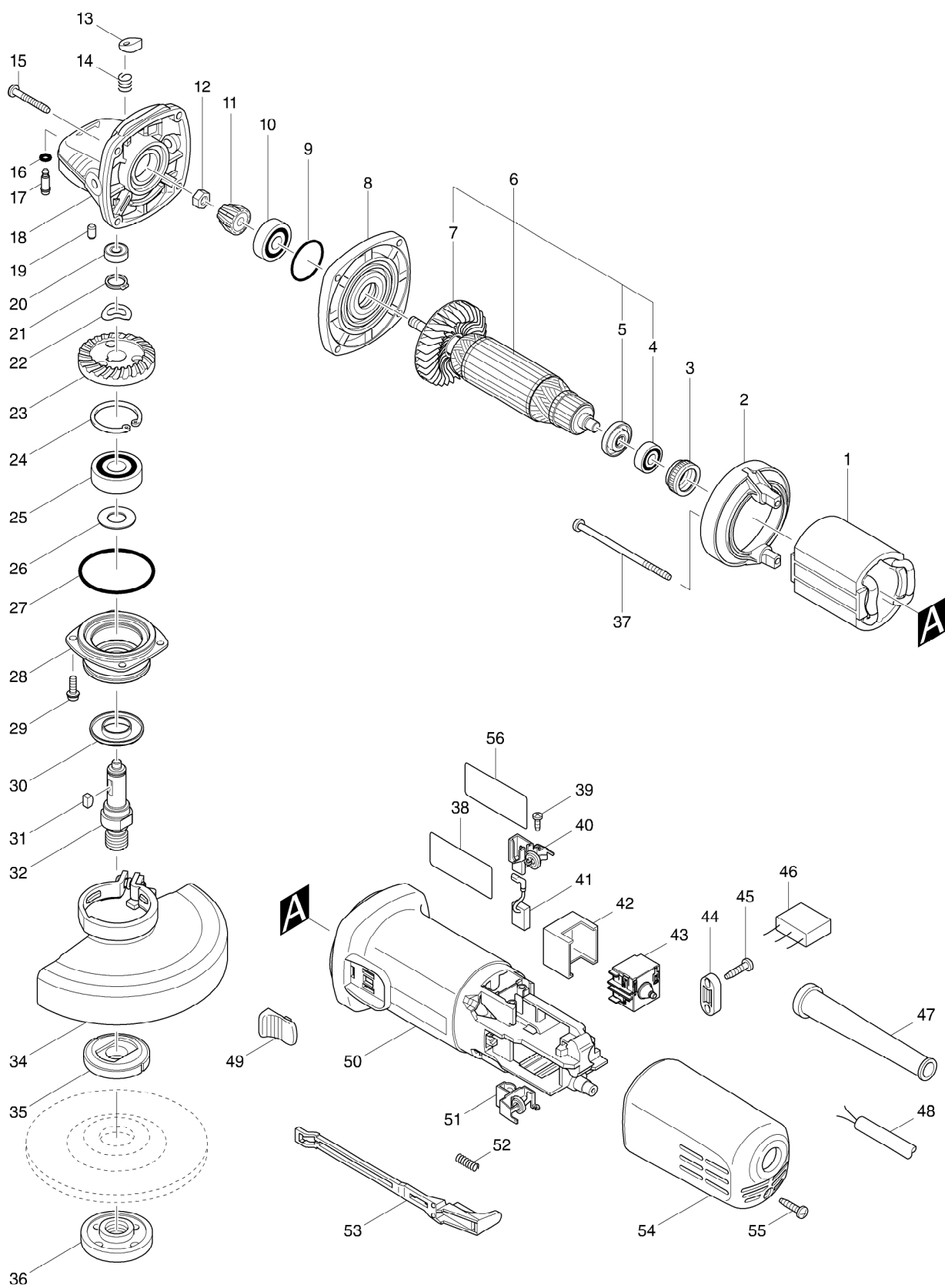


Modellszám 9558HNR 125MM ANGLE GRINDER



| Tétel | Cikkszám | Megnevezés | Átala | Menny. | N/O | Opc 1 | Opc 2 | Megjegyzés |
|-------|----------|----------------------------|-------|--------|-----|-------|-------|------------|
| 001 | 621708-9 | FIELD 220-240V | | 1 | | | | |
| 002 | 418770-1 | BAFFLE PLATE | | 1 | | | | |
| 003 | 421868-5 | LABYRINTH RUBBER RING 19 | | 1 | | | | |
| 004 | 210034-7 | BALL BEARING 607LLB | | 1 | | | | |
| 005 | 681636-0 | INSULATION WASHER | | 1 | | | | |
| 006 | 515613-9 | ARMATURE ASS'Y 220-240V | | 1 | | | | |
| D10 | | INC. 4,5,7 | | | | | | |
| 007 | 240076-7 | FAN 56 | | 1 | | | | |
| 008 | 317821-6 | GEAR HOUSING COVER | | 1 | | | | |
| 009 | 213445-5 | O-RING 26 | | 1 | | | | |
| 010 | 210042-8 | BALL BEARING 629LLB | | 1 | | | | |
| 011 | 227541-3 | SPIRAL BEVEL GEAR 10 | | 1 | | | | |
| 012 | 252186-8 | HEX. NUT M6 | | 1 | | | | |
| 013 | 417771-6 | PIN CAP | | 1 | | | | |
| 014 | 233376-2 | COMPRESSION SPRING 8 | | 1 | | | | |
| 015 | 266050-7 | TAPPING SCREW 4X30 | | 4 | | | | |
| 016 | 213960-9 | O RING 5 | | 1 | | | | |
| 017A | 256486-8 | SHOULDER PIN 4 | | 1 | | | | |
| 017B | 256546-6 | SHOULDER PIN 4 | | 1 | | | | |
| 017C | 256486-8 | SHOULDER PIN 4 | | 1 | | | | |
| 017D | 256486-8 | SHOULDER PIN 4 | | 1 | | | | |
| 017E | 256486-8 | SHOULDER PIN 4 | | 1 | | | | |
| 018A | 317814-3 | GEAR HOUSING | | 1 | | | | |
| 018B | 318941-9 | GEAR HOUSING | | 1 | | | | |
| 018C | 317814-3 | GEAR HOUSING | | 1 | | | | |
| 018D | 317814-3 | GEAR HOUSING | | 1 | | | | |
| 018E | 317814-3 | GEAR HOUSING | | 1 | | | | |
| 019 | 263002-9 | RUBBER PIN 4 | | 1 | | | | |
| 020 | 210033-9 | BALL BEARING 696ZZ | | 1 | | | | |
| 021 | 961052-5 | RETAINING RING S-12 | | 1 | | | | |
| 022 | 267794-2 | WAVE WASHER 12 | | 1 | | | | |
| 023 | 227542-1 | SPIRAL BEVEL GEAR 37 | | 1 | | | | |
| 024 | 962151-6 | RETAINING RING R-32 | | 1 | | | | |
| 025 | 211129-9 | BALL BEARING 6201DDW | | 1 | | | | |
| 026 | 267238-2 | FLAT WASHER 12 | | 1 | | | | |
| 027 | 213622-9 | O RING 45 | | 1 | | | | |
| 028 | 318331-6 | BEARING BOX | | 1 | | | | |
| 029 | 265099-4 | PAN HEAD SCREW M4X14 | | 4 | | | | |
| 030 | 345464-4 | LABYRINTH RING | | 1 | | | | |
| 031 | 254011-9 | WOODRUFF KEY 4 | | 1 | | | | |
| 032 | 324489-1 | SPINDLE | | 1 | | | | |
| 034 | 123099-9 | WHEEL COVER 125AK ASSEMBLY | | 1 | | | | |
| C10 | 213009-5 | O RING 4 | | 1 | | | | |
| C20 | 265180-1 | PAN HEAD SCREW M5X16 | | 1 | | | | |
| 035 | 224415-9 | INNER FLANGE 42 | | 1 | | | | |
| 036 | 224554-5 | LOCK NUT 14-45 | | 1 | | | | |
| 037 | 266623-6 | +BIND TAPPING SCREW 4X80 | | 2 | | | | |
| 038 | 851T06-9 | 9558HNR NAME PLATE | | 1 | | | | |

